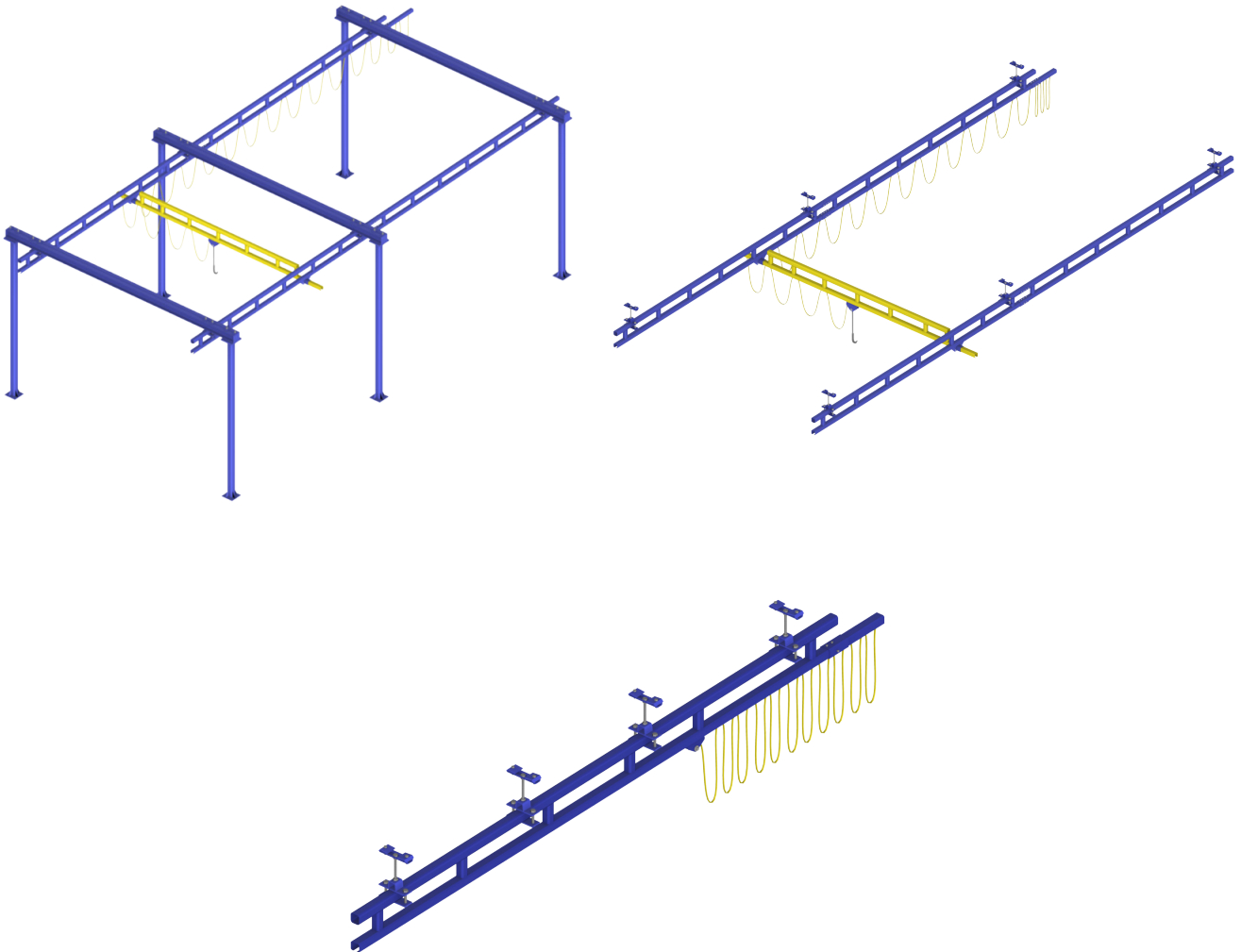


WORK STATION CRANE DIMENSIONAL INFORMATION



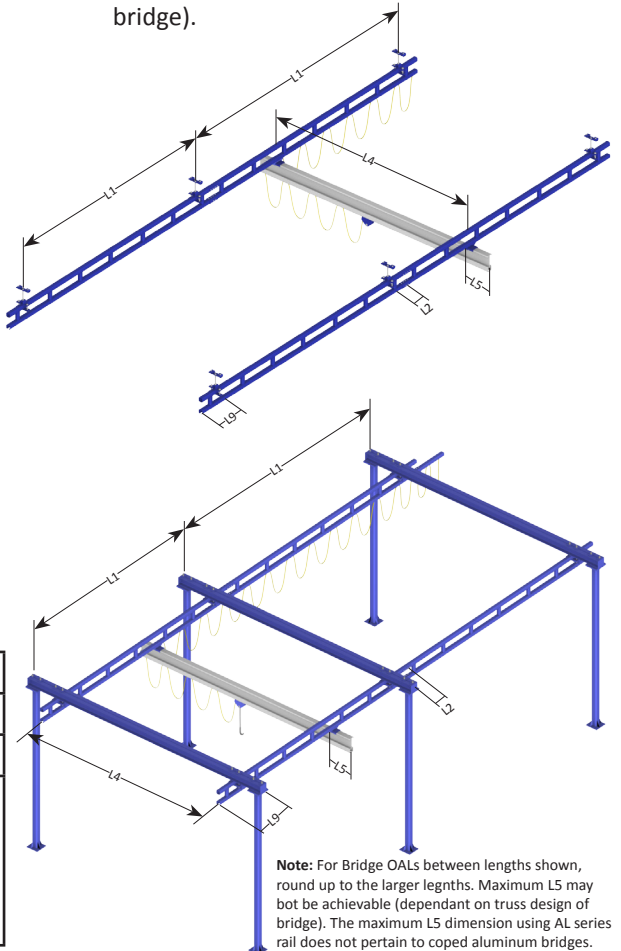
INSTALLATION GUIDELINES

CAPACITY	SERIES	WEIGHT PER FOOT	MAX. L1	MAX. L2	MAX. L5	MAX. L9
250#	GLC	2.53#	6'	8"	18"	18"
	GLCS	4.92#	20'	48"	18"	48"
	AL	4.05#	20'	30"	48"	48"
	GLCSL	8.43#	25'	48"	18"	48"
500#	GLC	4.15#	6'	8"	24"	20"
	GLCS	7.44#	20'	48"	24"	48"
	AL	4.87#	20'	30"	48"	48"
	GLCSL	10.71#	25'	48"	24"	48"
	GLCSLX	11.01#	30'	48"	24"	48"
1000#	GLC	6.22#	6'	8"	24"	20"
	GLCS	12.25#	20'	48"	24"	48"
	AL	8.36#	20'	30"	48"	48"
	GLCSL	14.08#	25'	48"	24"	48"
	GLCSLX	17.47#	30'	48"	24"	48"
2000#	GLC	9.12#	6'	8"	24"	24"
	GLCS	16.89#	20'	48"	24"	48"
	AL	10.01#	20'	30"	48"	48"
	GLCSL	19.36#	25'	48"	24"	48"
	GLCSLX	20.13#	30'	48"	24"	48"
4000#	GLC	9.12#	4'	8"	24"	24"
	GLCS	20.68#	20'	48"	24"	48"
	GLCSL	26.21#	25'	48"	24"	48"
	GLCSLX	28.22#	30'	48"	24"	48"

- L1 = MAXIMUM HANGER CENTERLINE**
Maximum Hanger Centerline is considered from the center of a hanger to the center of the neighboring hanger.
- L2 = SPLICE JOINT CENTERLINE TO HANGER CENTERLINE**
Splice Joint Centerline to Hanger Centerline is considered from the center of a splice joint to the center of the nearest hanger.
- L4 = BRIDGE SPAN**
Bridge Span is considered from centerline to centerline of runways.
L4 = Bridge Overall Length - (2 x Bridge Cantilever)
- L5 = BRIDGE CANTILEVER****
Bridge Cantilever is considered from the centerline of the runway to the end of the bridge.
- L9 = MAXIMUM RUNWAY CANTILEVER**
Runway Cantilever is considered from the center of the end hanger to the end of the runway.

Note: Same guidelines apply for Monorails (GLMS, GLMSL, GLMSLX, ALM), with the exception of the "L5" dimension (not applicable).

Note: Typical L5 in 12". Max L5 may not be achievable (dependent on truss design of bridge).



Note: Depending on track series, anti-kick-up end trucks may be required for the following:

- bridges with $\leq 8'$ span (L4) and a bridge cantilever (L5) $\geq 12''$
- bridges with $< 10'$ span (L4) and a bridge cantilever (L5) $> 15''$
- bridges with $< 15'$ span (L4) and a bridge cantilever (L5) $> 18''$

*Anti-kick-up end trucks are not included as part of the standard crane kits.

***2000# Ceiling Mounted systems and Monorails at 10' span (L4) and bridge cantilever (L5) 15" need anti-kick-up end trucks.

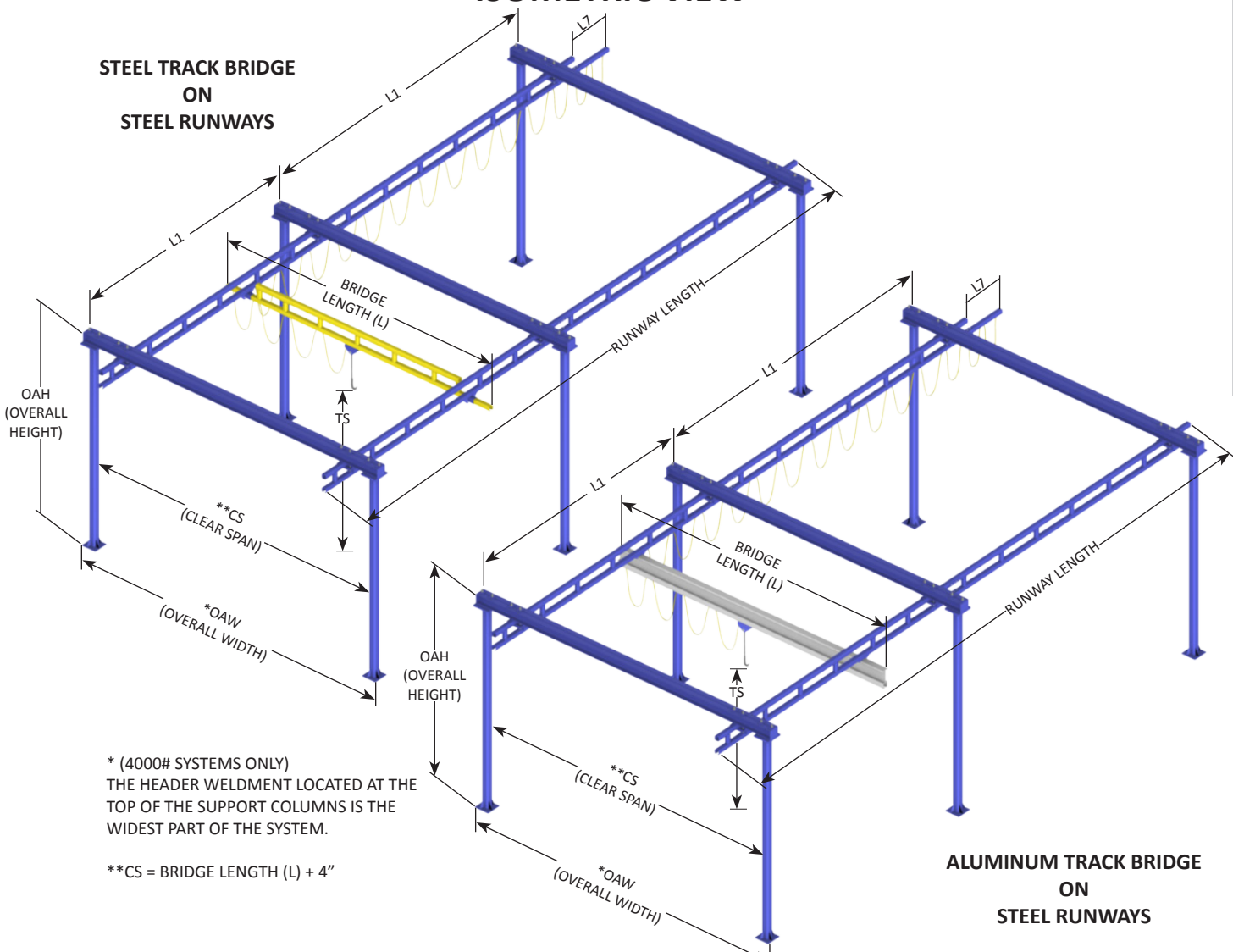
Consult Gorbel® factory for information on bridges greater than 15' span (L4).

STANDARD BRIDGE CANTILEVER	Bridge Series	Bridge Overall Length				
		Steel				
		$\leq 23'$	28'	29'	33'	34'
	250	12"	18"	24"	na	na
	500	12"	18"	24"	18"	24"
	1000	12"	18"	24"	18"	24"
	2000	12"	18"	24"	18"	24"
	4000	15"	18"	24"	18"	24"

STANDARD BRIDGE CANTILEVER	Bridge Series	Bridge Overall Length					
		Steel					
		$\leq 20'$	23'	28'	29'	33'	34'
	250	12"	18"	18"	na	na	na
	500	12"	18"	18"	24"	18"	24"
	1000	12"	18"	18"	24"	18"	24"
	2000	12"	18"	18"	24"	18"	24"
	4000	15"	18"	18"	24"	18"	24"

Note: For Bridge OALs between lengths shown, round up to the larger lengths. Maximum L5 may not be achievable (dependent on truss design of bridge). The maximum L5 dimension using AL series rail does not pertain to coped aluminum bridges.

FREE STANDING WORK STATION BRIDGE CRANES STEEL RUNWAYS WITH STEEL OR ALUMINUM BRIDGE ISOMETRIC VIEW



Model Number: _____

Capacity: _____ pounds

Bridge Length (L): _____ (OAL)

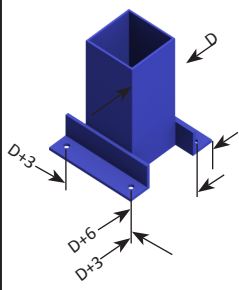
Runway Length: _____ (OAL)

Trolley Saddle Height: _____ (TS)

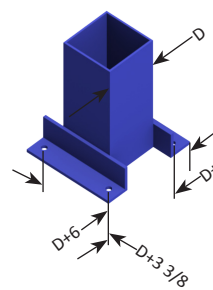
L1: _____ Are the number of support assemblies provided sufficient?
(See "SUPPORT" column on dimensional chart pages)

C: _____ inches (hoist by others)

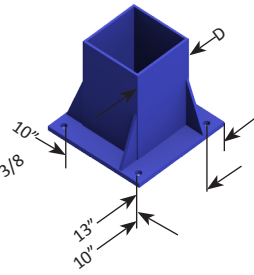
COLUMN BASE DETAIL FOR 3" COLUMNS



COLUMN BASE DETAIL FOR 4" & 5" COLUMNS



COLUMN BASE DETAIL FOR 6" & 7" COLUMNS

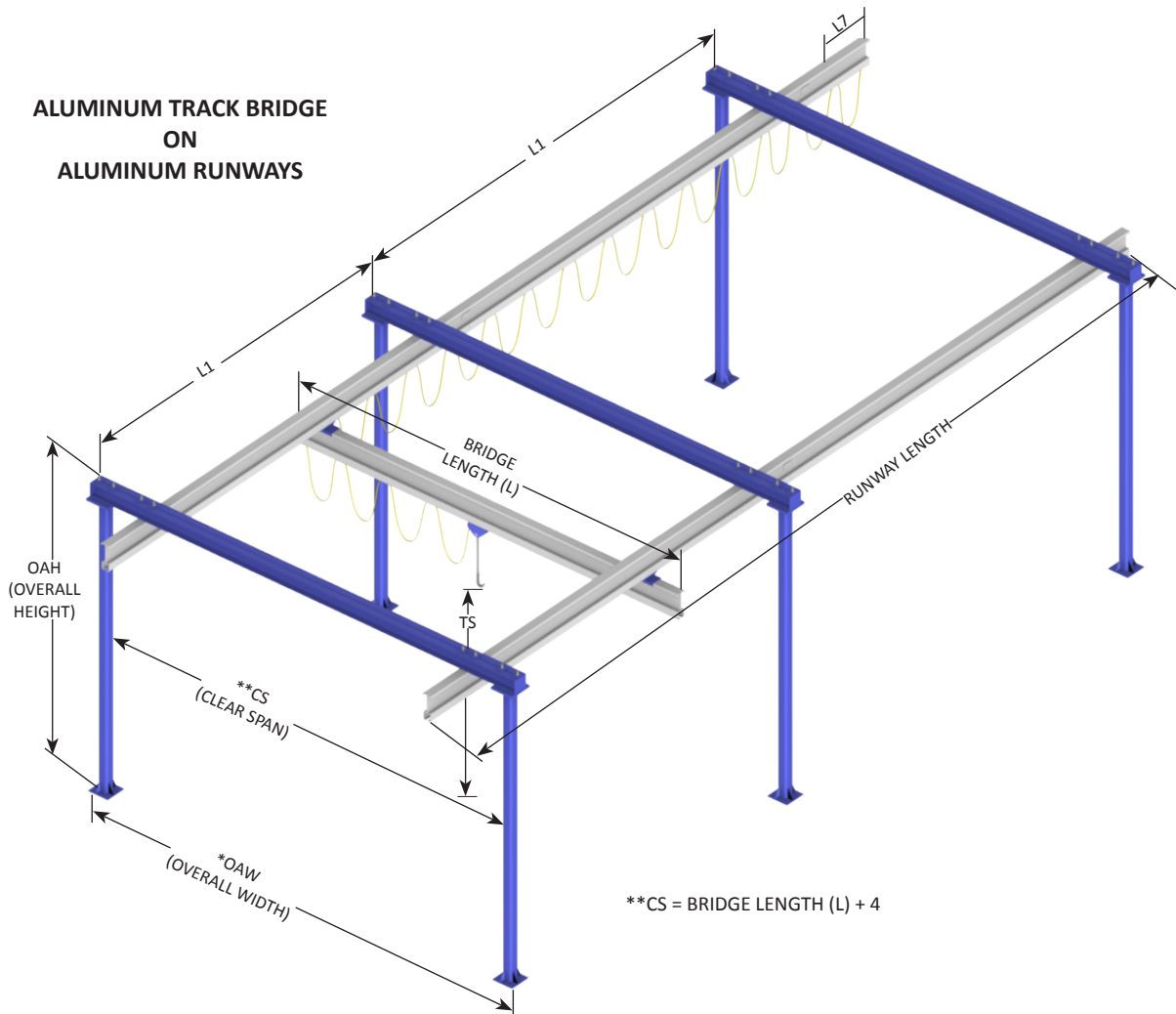


Gorbel® Free Standing Work Station Crane kits include: bridge, runways, the appropriate number of support assemblies, hoist trolley, end trucks, end stops, flat wire festooning, festoon gliders (festoon trolleys on steel runway lengths greater than 63' and aluminum systems), festoon stack-up section, splice joints and hanger brackets.

Hoist and anchor bolts provided by others.

Dimensions are for reference only and are subject to change without notice.

FREE STANDING WORK STATION BRIDGE CRANES ALUMINUM RUNWAYS WITH ALUMINUM BRIDGE ISOMETRIC VIEW



**CS = BRIDGE LENGTH (L) + 4

Model Number: _____

Capacity: _____ pounds

Bridge Length (L): _____ (OAL)

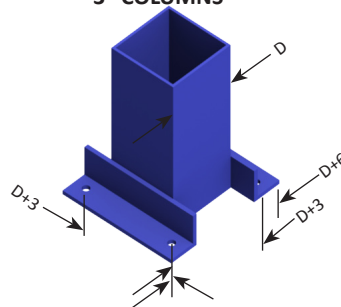
Runway Length: _____ (OAL)

Trolley Saddle Height: _____ (TS)

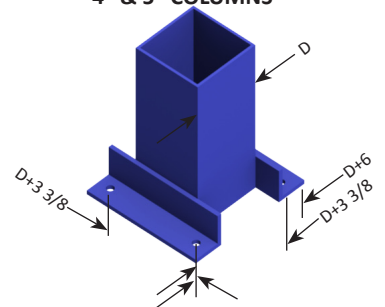
L1: _____ Are the number of support assemblies provided sufficient?
(See "SUPPORT" column on dimensional chart pages)

C: _____ inches (hoist by others)

**COLUMN BASE DETAIL
3" COLUMNS**



**COLUMN BASE DETAIL
4" & 5" COLUMNS**



Gorbel® Free Standing Work Station Crane kits include: bridge, runways, the appropriate number of support assemblies, hoist trolley, end trucks, end stops, flat wire festooning, festoon gliders (festoon trolleys on steel runway lengths greater than 63' and aluminum systems), festoon stack-up section, splice joints and hanger brackets.

Hoist and anchor bolts provided by others.

Dimensions are for reference only and are subject to change without notice.

FREE STANDING WORK STATION BRIDGE CRANES STEEL RUNWAYS WITH STEEL OR ALUMINUM BRIDGE

Model Number: _____

Capacity: _____ pounds

Bridge Length (L): _____ (OAL)

Runway Length: _____ (OAL)

Trolley Saddle Height: _____ (TS)

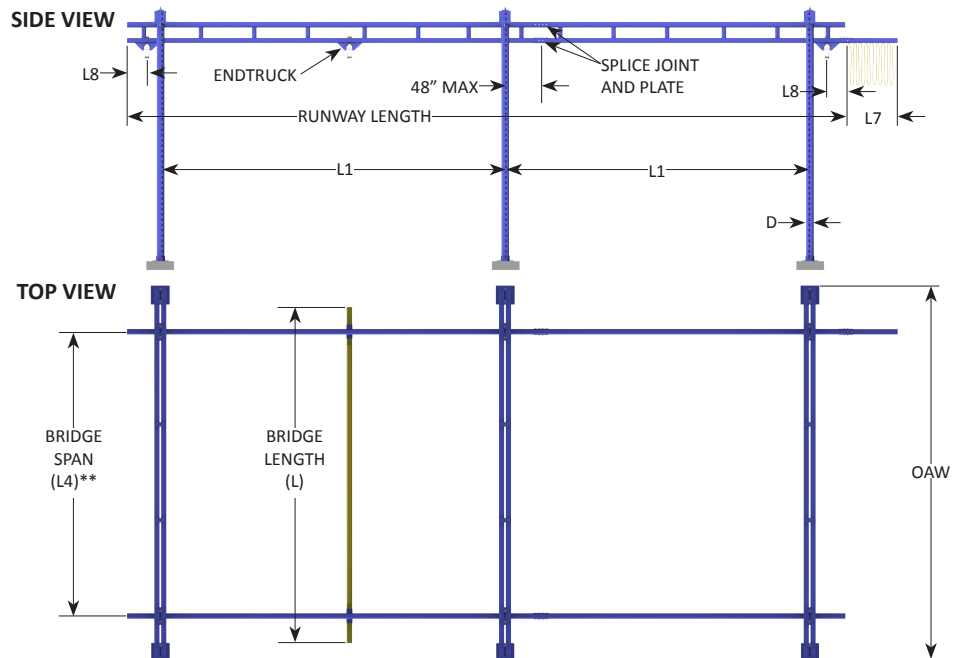
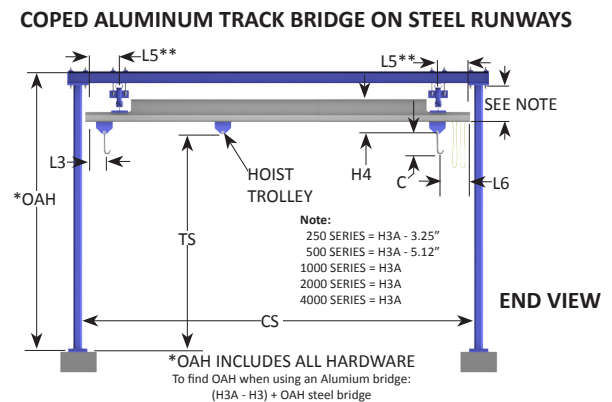
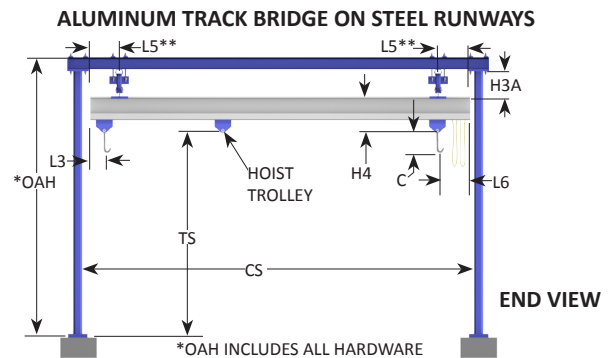
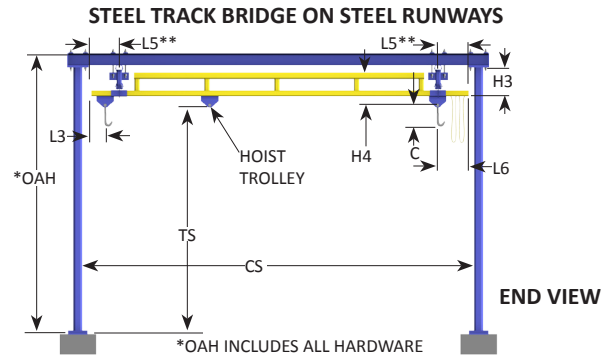
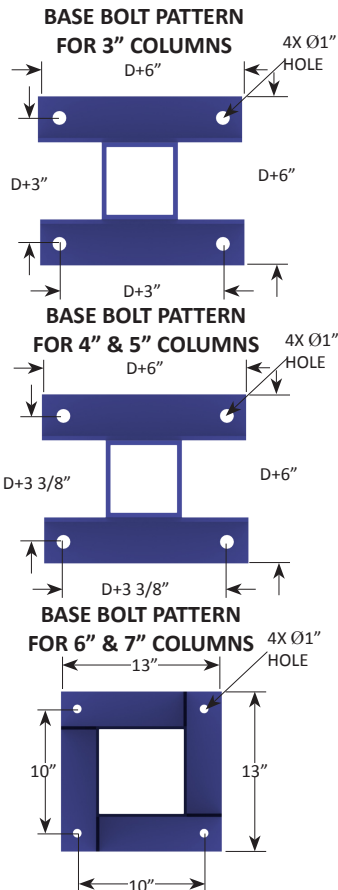
L1: _____ Are the number of support assemblies provided sufficient?
(See "SUPPORT" column on dimensional chart pages)

C: _____ inches (hoist by others)

Gorbel® Free Standing Work Station Crane kits include: bridge, runways, the appropriate number of support assemblies, hoist trolley, end trucks, end stops, flat wire festooning, festoon gliders (festoon trolleys on steel runway lengths greater than 63' and aluminum systems), festoon stack-up section, splice joints and hanger brackets.

Hoist and anchor bolts provided by others.

Dimensions are for reference only and are subject to change without notice.



FREE STANDING WORK STATION BRIDGE CRANES STEEL RUNWAYS WITH STEEL OR ALUMINUM BRIDGE

Model Number: _____

Capacity: _____ pounds

Bridge Length (L): _____ (OAL)

Runway Length: _____ (OAL)

Trolley Saddle Height: _____ (TS)

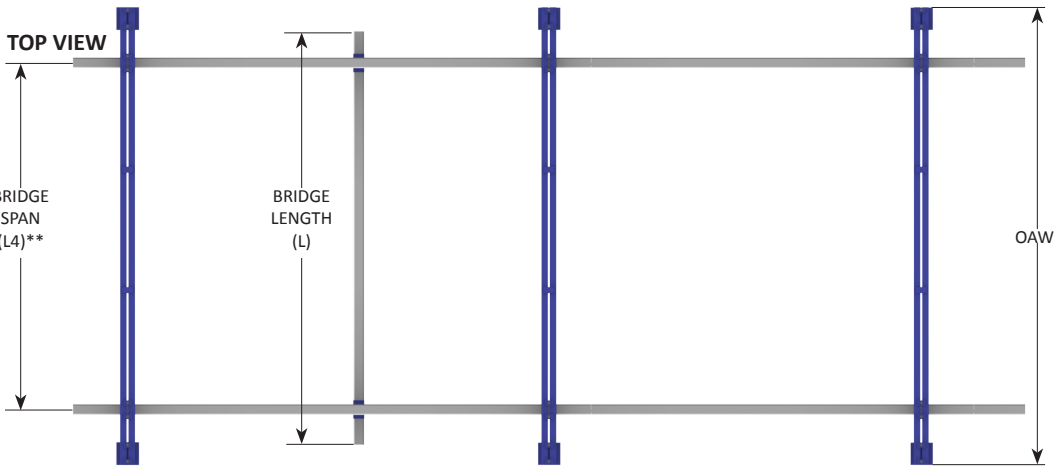
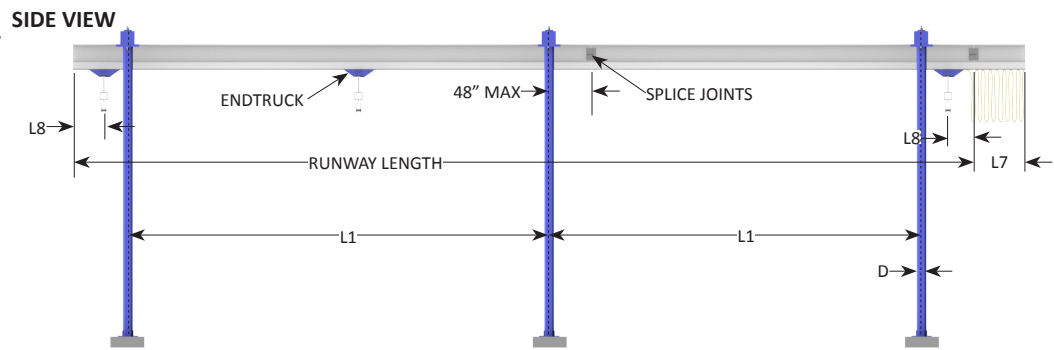
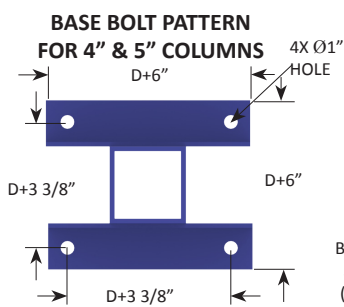
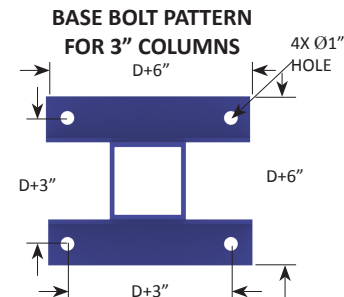
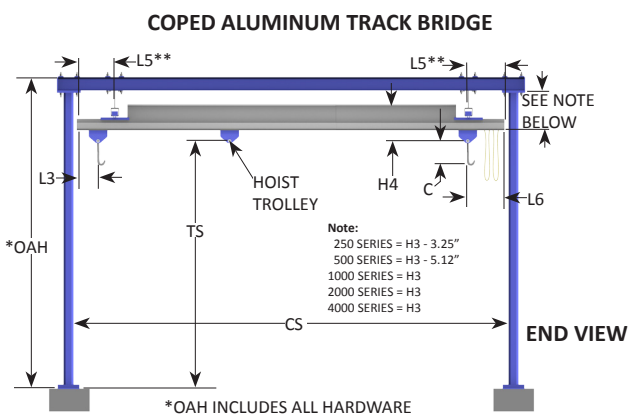
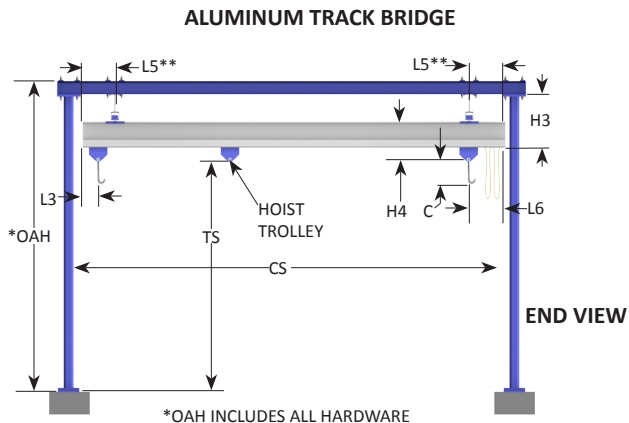
L1: _____ Are the number of support assemblies provided sufficient?
(See "SUPPORT" column on dimensional chart pages)

C: _____ inches (hoist by others)

Gorbel® Free Standing Work Station Crane kits include: bridge, runways, the appropriate number of support assemblies, hoist trolley, end trucks, end stops, flat wire festooning, festoon gliders (festoon trolleys on steel runway lengths greater than 63' and aluminum systems), festoon stack-up section, splice joints and hanger brackets.

Hoist and anchor bolts provided by others.

Dimensions are for reference only and are subject to change without notice.



FREE STANDING WORK STATION BRIDGE CRANES

BRIDGE LENGTH (L)	RUNWAY LENGTH	TS	MODEL NUMBER	TRACK MAT.	RUNWAY			BRIDGE				SUPPORT STRUCTURE				
					MAX. L1	L7 in	L8 in	H3 in	H3A in	H4 in	L3 in	L6 in	OAW	OAH	D in	SPT*
10'	11'-6"	10'	GLCS-FS-250-10 (S or AL)-11.5-10	Steel	20'	9	10 3/4	12 7/8	20 5/8	4 3/4	5 1/8	8 3/4	11'-4"	11'-5 3/8"	3	2
		12'	GLCS-FS-250-10 (S or AL)-11.5-12	Steel	20'	9	10 3/4	12 7/8	20 5/8	4 3/4	5 1/8	8 3/4	11'-4"	13'-5 3/8"	3	2
		14'	GLCS-FS-250-10 (S or AL)-11.5-14	Steel	20'	9	10 3/4	12 7/8	20 5/8	4 3/4	5 1/8	8 3/4	11'-4"	15'-5 3/8"	3	2
	23'	10'	GLCS-FS-250-10 (S or AL)-23-10	Steel	20'	9	10 3/4	12 7/8	20 5/8	4 3/4	5 1/8	8 3/4	11'-4"	11'-5 3/8"	3	2
		10'	AL-FS-250-10-23-10	Alum	20'	13	13 1/4	20	-	10 3/4	7 1/4	16 7/8	11'-4"	12'-0 1/2"	3	2
		12'	GLCS-FS-250-10 (S or AL)-23-12	Steel	20'	9	10 3/4	12 7/8	20 5/8	4 3/4	5 1/8	8 3/4	11'-4"	13'-5 3/8"	3	2
		12'	AL-FS-250-10-23-12	Alum	20'	13	13 1/4	20	-	10 3/4	7 1/4	16 7/8	11'-4"	14'-0 1/2"	3	2
		14'	GLCS-FS-250-10 (S or AL)-23-14	Steel	20'	9	10 3/4	12 7/8	20 5/8	4 3/4	5 1/8	8 3/4	11'-4"	15'-5 3/8"	3	2
		14'	AL-FS-250-10-23-14	Alum	20'	13	13 1/4	20	-	10 3/4	7 1/4	16 7/8	11'-4"	16'-0 1/2"	3	2
	28'	10'	GLCSL-FS-250-10 (S or AL)-28-10	Steel	25'	9	10 3/4	14 7/8	22 5/8	4 3/4	5 1/8	8 3/4	11'-4"	11'-7 3/8"	3	2
		12'	GLCSL-FS-250-10 (S or AL)-28-12	Steel	25'	9	10 3/4	14 7/8	22 5/8	4 3/4	5 1/8	8 3/4	11'-4"	13'-7 3/8"	3	2
		14'	GLCSL-FS-250-10 (S or AL)-28-14	Steel	25'	9	10 3/4	14 7/8	22 5/8	4 3/4	5 1/8	8 3/4	11'-4"	15'-7 3/8"	3	2
	33'	10'	GLCS-FS-250-10 (S or AL)-33-10	Steel	20'	9	10 3/4	12 7/8	20 5/8	4 3/4	5 1/8	8 3/4	11'-4"	11'-5 3/8"	3	3
		10'	AL-FS-250-10-33-10	Alum	20'	19	13 1/4	20	-	10 3/4	7 1/4	16 7/8	11'-4"	12'-0 1/2"	3	3
		12'	GLCS-FS-250-10 (S or AL)-33-12	Steel	20'	9	10 3/4	12 7/8	20 5/8	4 3/4	5 1/8	8 3/4	11'-4"	13'-5 3/8"	3	3
		12'	AL-FS-250-10-33-12	Alum	20'	19	13 1/4	20	-	10 3/4	7 1/4	16 7/8	11'-4"	14'-0 1/2"	3	3
		14'	GLCS-FS-250-10 (S or AL)-33-14	Steel	20'	9	10 3/4	12 7/8	20 5/8	4 3/4	5 1/8	8 3/4	11'-4"	15'-5 3/8"	3	3
		14'	AL-FS-250-10-33-14	Alum	20'	19	13 1/4	20	-	10 3/4	7 1/4	16 7/8	11'-4"	16'-0 1/2"	3	3
	43'	10'	GLCS-FS-250-10 (S or AL)-43-10	Steel	20'	13	13 1/4	12 7/8	20 5/8	4 3/4	5 1/8	8 3/4	11'-4"	11'-5 3/8"	3	3
		10'	AL-FS-250-10-43-10	Alum	20'	26	13 1/4	20	-	10 3/4	7 1/4	16 7/8	11'-4"	12'-0 1/2"	3	3
		12'	GLCS-FS-250-10 (S or AL)-43-12	Steel	20'	13	13 1/4	12 7/8	20 5/8	4 3/4	5 1/8	8 3/4	11'-4"	13'-5 3/8"	3	3
		12'	AL-FS-250-10-43-12	Alum	20'	26	13 1/4	20	-	10 3/4	7 1/4	16 7/8	11'-4"	14'-0 1/2"	3	3
		14'	GLCS-FS-250-10 (S or AL)-43-14	Steel	20'	13	13 1/4	12 7/8	20 5/8	4 3/4	5 1/8	8 3/4	11'-4"	15'-5 3/8"	3	3
		14'	AL-FS-250-10-43-14	Alum	20'	26	13 1/4	20	-	10 3/4	7 1/4	16 7/8	11'-4"	16'-0 1/2"	3	3
	53'	10'	GLCS-FS-250-10 (S or AL)-53-10	Steel	20'	13	10 3/4	12 7/8	20 5/8	4 3/4	5 1/8	8 3/4	11'-4"	11'-5 3/8"	3	4
		10'	AL-FS-250-10-53-10	Alum	20'	30	13 1/4	20	-	10 3/4	7 1/4	16 7/8	11'-4"	12'-0 1/2"	3	4
		10'	GLCSL-FS-250-10 (S or AL)-53-10	Steel	25'	13	10 3/4	14 7/8	22 5/8	4 3/4	5 1/8	8 3/4	11'-4"	11'-7 3/8"	3	3
		12'	GLCS-FS-250-10 (S or AL)-53-12	Steel	20'	13	10 3/4	12 7/8	20 5/8	4 3/4	5 1/8	8 3/4	11'-4"	13'-5 3/8"	3	4
		12'	AL-FS-250-10-53-12	Alum	20'	30	13 1/4	20	-	10 3/4	7 1/4	16 7/8	11'-4"	14'-0 1/2"	3	4
		12'	GLCSL-FS-250-10 (S or AL)-53-12	Steel	25'	13	10 3/4	14 7/8	22 5/8	4 3/4	5 1/8	8 3/4	11'-4"	13'-7 3/8"	3	3
		14'	GLCS-FS-250-10 (S or AL)-53-14	Steel	20'	13	10 3/4	12 7/8	20 5/8	4 3/4	5 1/8	8 3/4	11'-4"	15'-5 3/8"	3	4
		14'	AL-FS-250-10-53-14	Alum	20'	30	13 1/4	20	-	10 3/4	7 1/4	16 7/8	11'-4"	16'-0 1/2"	3	4
		14'	GLCSL-FS-250-10 (S or AL)-53-14	Steel	25'	13	10 3/4	14 7/8	22 5/8	4 3/4	5 1/8	8 3/4	11'-4"	15'-7 3/8"	3	3
		63'	10'	GLCS-FS-250-10 (S or AL)-63-10	Steel	20'	19	10 3/4	12 7/8	20 5/8	4 3/4	5 1/8	8 3/4	11'-4"	11'-5 3/8"	3
	10'		AL-FS-250-10-63-10	Alum	20'	36	13 1/4	20	-	10 3/4	7 1/4	16 7/8	11'-4"	12'-0 1/2"	3	4
	12'		GLCS-FS-250-10 (S or AL)-63-12	Steel	20'	19	10 3/4	12 7/8	20 5/8	4 3/4	5 1/8	8 3/4	11'-4"	13'-5 3/8"	3	4
	12'		AL-FS-250-10-63-12	Alum	20'	36	13 1/4	20	-	10 3/4	7 1/4	16 7/8	11'-4"	14'-0 1/2"	3	4
	14'		GLCS-FS-250-10 (S or AL)-63-14	Steel	20'	19	10 3/4	12 7/8	20 5/8	4 3/4	5 1/8	8 3/4	11'-4"	15'-5 3/8"	3	4
	14'		AL-FS-250-10-63-14	Alum	20'	36	13 1/4	20	-	10 3/4	7 1/4	16 7/8	11'-4"	16'-0 1/2"	3	4
	78'	10'	GLCSL-FS-250-10 (S or AL)-78-10	Steel	25'	46	10 3/4	14 7/8	22 5/8	4 3/4	5 1/8	15 1/8	11'-4"	11'-7 3/8"	3	4
		12'	GLCSL-FS-250-10 (S or AL)-78-12	Steel	25'	46	10 3/4	14 7/8	22 5/8	4 3/4	5 1/8	15 1/8	11'-4"	13'-7 3/8"	3	4
		14'	GLCSL-FS-250-10 (S or AL)-78-14	Steel	25'	46	10 3/4	14 7/8	22 5/8	4 3/4	5 1/8	15 1/8	11'-4"	15'-7 3/8"	3	4
	83'	10'	GLCS-FS-250-10 (S or AL)-83-10	Steel	20'	46	10 3/4	12 7/8	20 5/8	4 3/4	5 1/8	15 1/8	11'-4"	11'-5 3/8"	3	5
		10'	AL-FS-250-10-83-10	Alum	20'	46	13 1/4	20	-	10 3/4	7 1/4	16 7/8	11'-4"	12'-0 1/2"	3	5
		12'	GLCS-FS-250-10 (S or AL)-83-12	Steel	20'	46	10 3/4	12 7/8	20 5/8	4 3/4	5 1/8	15 1/8	11'-4"	13'-5 3/8"	3	5
		12'	AL-FS-250-10-83-12	Alum	20'	46	13 1/4	20	-	10 3/4	7 1/4	16 7/8	11'-4"	14'-0 1/2"	3	5
		14'	GLCS-FS-250-10 (S or AL)-83-14	Steel	20'	46	10 3/4	12 7/8	20 5/8	4 3/4	5 1/8	15 1/8	11'-4"	15'-5 3/8"	3	5
		14'	AL-FS-250-10-83-14	Alum	20'	46	13 1/4	20	-	10 3/4	7 1/4	16 7/8	11'-4"	16'-0 1/2"	3	5
	103'	10'	GLCS-FS-250-10 (S or AL)-103-10	Steel	20'	54	10 3/4	12 7/8	20 5/8	4 3/4	5 1/8	15 1/8	11'-4"	11'-5 3/8"	3	6
		10'	AL-FS-250-10-103-10	Alum	20'	54	13 1/4	20	-	10 3/4	7 1/4	16 7/8	11'-4"	12'-0 1/2"	3	6
		10'	GLCSL-FS-250-10 (S or AL)-103-10	Steel	25'	54	10 3/4	14 7/8	22 5/8	4 3/4	5 1/8	15 1/8	11'-4"	11'-7 3/8"	3	5
		12'	GLCS-FS-250-10 (S or AL)-103-12	Steel	20'	54	10 3/4	12 7/8	20 5/8	4 3/4	5 1/8	15 1/8	11'-4"	13'-5 3/8"	3	6
		12'	AL-FS-250-10-103-12	Alum	20'	54	13 1/4	20	-	10 3/4	7 1/4	16 7/8	11'-4"	14'-0 1/2"	3	6
		12'	GLCSL-FS-250-10 (S or AL)-103-12	Steel	25'	54	10 3/4	14 7/8	22 5/8	4 3/4	5 1/8	15 1/8	11'-4"	13'-7 3/8"	3	5
		14'	GLCS-FS-250-10 (S or AL)-103-14	Steel	20'	54	10 3/4	12 7/8	20 5/8	4 3/4	5 1/8	15 1/8	11'-4"	15'-5 3/8"	3	6
		14'	AL-FS-250-10-103-14	Alum	20'	54	13 1/4	20	-	10 3/4	7 1/4	16 7/8	11'-4"	16'-0 1/2"	3	6
	14'	GLCSL-FS-250-10 (S or AL)-103-14	Steel	25'	54	10 3/4	14 7/8	22 5/8	4 3/4	5 1/8	15 1/8	11'-4"	15'-7 3/8"	3	5	

*This column provides the total number of support assemblies based on the "L1" dimensions shown. Support assemblies are designed to AISC specifications and do not require bracing. If no movement of the support assembly is preferred, then bracing to the building steel is recommended (not included).

To Determine Hook Coverage: [Bridge Travel on Runway = Runway Length - (2xL8)] by [Hoist Trolley Travel on Bridge = Bridge Length - L3 - L6] (L6 allows for festoon stack-up).

Goebel® Free Standing Work Station Bridge Crane Kits include: bridge, runways, the appropriate number of support assemblies, hoist trolley, end trucks, end stops, flat wire festooning, festoon gliders (festoon trolleys on steel runway lengths greater than 63' and all aluminum systems), festoon stack-up section, splice joints and hanger brackets. Hoist and anchor bolts provided by others.

Dimensions are for reference only and are subject to change without notice.

250# CAPACITY

FREE STANDING WORK STATION CRANES

FREE STANDING WORK STATION BRIDGE CRANES

BRIDGE LENGTH (L)	RUNWAY LENGTH	TS	MODEL NUMBER	TRACK MAT.	RUNWAY			BRIDGE					SUPPORT STRUCTURE			
					MAX. L1	L7 in	L8 in	H3 in	H3A in	H4 in	L3 in	L6 in	OAW	OAH	D in	SPT #
15'	23'	10'	GLCS-FS-250-15 (S or AL)-23-10	Steel	20'	9	10 3/4	12 7/8	20 5/8	10 1/2	5 1/8	11 1/4	16'-4"	11'-5 3/8"	3	2
		10'	AL-FS-250-15-23-10	Alum	20'	13	13 1/4	20	-	10 3/4	7 1/4	23 5/8	16'-4"	12'-0 1/2"	3	2
		12'	GLCS-FS-250-15 (S or AL)-23-12	Steel	20'	9	10 3/4	12 7/8	20 5/8	10 1/2	5 1/8	11 1/4	16'-4"	13'-5 3/8"	3	2
		12'	AL-FS-250-15-23-12	Alum	20'	13	13 1/4	20	-	10 3/4	7 1/4	23 5/8	16'-4"	14'-0 1/2"	3	2
		14'	GLCS-FS-250-15 (S or AL)-23-14	Steel	20'	9	10 3/4	12 7/8	20 5/8	10 1/2	5 1/8	11 1/4	16'-4"	15'-5 3/8"	3	2
		14'	AL-FS-250-15-23-14	Alum	20'	13	13 1/4	20	-	10 3/4	7 1/4	23 5/8	16'-4"	16'-0 1/2"	3	2
	28'	10'	GLCSL-FS-250-15 (S or AL)-28-10	Steel	25'	9	10 3/4	14 7/8	22 5/8	10 1/2	5 1/8	11 1/4	16'-4"	11'-7 3/8"	3	2
		12'	GLCSL-FS-250-15 (S or AL)-28-12	Steel	25'	9	10 3/4	14 7/8	22 5/8	10 1/2	5 1/8	11 1/4	16'-4"	13'-7 3/8"	3	2
		14'	GLCSL-FS-250-15 (S or AL)-28-14	Steel	25'	9	10 3/4	14 7/8	22 5/8	10 1/2	5 1/8	11 1/4	16'-4"	15'-7 3/8"	3	2
	33'	10'	GLCS-FS-250-15 (S or AL)-33-10	Steel	20'	9	10 3/4	12 7/8	20 5/8	10 1/2	5 1/8	11 1/4	16'-4"	11'-5 3/8"	3	3
		10'	AL-FS-250-15-33-10	Alum	20'	19	13 1/4	20	-	10 3/4	7 1/4	23 5/8	16'-4"	12'-0 1/2"	3	3
		12'	GLCS-FS-250-15 (S or AL)-33-12	Steel	20'	9	10 3/4	12 7/8	20 5/8	10 1/2	5 1/8	11 1/4	16'-4"	13'-5 3/8"	3	3
		12'	AL-FS-250-15-33-12	Alum	20'	19	13 1/4	20	-	10 3/4	7 1/4	23 5/8	16'-4"	14'-0 1/2"	3	3
		14'	GLCS-FS-250-15 (S or AL)-33-14	Steel	20'	9	10 3/4	12 7/8	20 5/8	10 1/2	5 1/8	11 1/4	16'-4"	15'-5 3/8"	3	3
		14'	AL-FS-250-15-33-14	Alum	20'	19	13 1/4	20	-	10 3/4	7 1/4	23 5/8	16'-4"	16'-0 1/2"	3	3
	43'	10'	GLCS-FS-250-15 (S or AL)-43-10	Steel	20'	11	10 3/4	12 7/8	20 5/8	10 1/2	5 1/8	11 1/4	16'-4"	11'-5 3/8"	3	3
		10'	AL-FS-250-15-43-10	Alum	20'	26	13 1/4	20	-	10 3/4	7 1/4	23 5/8	16'-4"	12'-0 1/2"	3	3
		12'	GLCS-FS-250-15 (S or AL)-43-12	Steel	20'	11	10 3/4	12 7/8	20 5/8	10 1/2	5 1/8	11 1/4	16'-4"	13'-5 3/8"	3	3
		12'	AL-FS-250-15-43-12	Alum	20'	26	13 1/4	20	-	10 3/4	7 1/4	23 5/8	16'-4"	14'-0 1/2"	3	3
		14'	GLCS-FS-250-15 (S or AL)-43-14	Steel	20'	11	10 3/4	12 7/8	20 5/8	10 1/2	5 1/8	11 1/4	16'-4"	15'-5 3/8"	3	3
		14'	AL-FS-250-15-43-14	Alum	20'	26	13 1/4	20	-	10 3/4	7 1/4	23 5/8	16'-4"	16'-0 1/2"	3	3
	53'	10'	GLCS-FS-250-15 (S or AL)-53-10	Steel	20'	13	10 3/4	12 7/8	20 5/8	10 1/2	5 1/8	11 1/4	16'-4"	11'-5 3/8"	3	4
		10'	AL-FS-250-15-53-10	Alum	20'	30	13 1/4	20	-	10 3/4	7 1/4	23 5/8	16'-4"	12'-0 1/2"	3	4
		10'	GLCSL-FS-250-15 (S or AL)-53-10	Steel	25'	13	10 3/4	14 7/8	22 5/8	10 1/2	5 1/8	11 1/4	16'-4"	11'-7 3/8"	3	3
		12'	GLCS-FS-250-15 (S or AL)-53-12	Steel	20'	13	10 3/4	12 7/8	20 5/8	10 1/2	5 1/8	11 1/4	16'-4"	13'-5 3/8"	3	4
		12'	AL-FS-250-15-53-12	Alum	20'	30	13 1/4	20	-	10 3/4	7 1/4	23 5/8	16'-4"	14'-0 1/2"	3	4
		12'	GLCSL-FS-250-15 (S or AL)-53-12	Steel	25'	13	10 3/4	14 7/8	22 5/8	10 1/2	5 1/8	11 1/4	16'-4"	13'-7 3/8"	3	3
		14'	GLCS-FS-250-15 (S or AL)-53-14	Steel	20'	13	10 3/4	12 7/8	20 5/8	10 1/2	5 1/8	11 1/4	16'-4"	15'-5 3/8"	3	4
		14'	AL-FS-250-15-53-14	Alum	20'	30	13 1/4	20	-	10 3/4	7 1/4	23 5/8	16'-4"	16'-0 1/2"	3	4
		14'	GLCSL-FS-250-15 (S or AL)-53-14	Steel	25'	13	10 3/4	14 7/8	22 5/8	10 1/2	5 1/8	11 1/4	16'-4"	15'-7 3/8"	3	3
		63'	10'	GLCS-FS-250-15 (S or AL)-63-10	Steel	20'	15	10 3/4	12 7/8	20 5/8	10 1/2	5 1/8	11 1/4	16'-4"	11'-5 3/8"	3
	10'		AL-FS-250-15-63-10	Alum	20'	36	13 1/4	20	-	10 3/4	7 1/4	23 5/8	16'-4"	12'-0 1/2"	3	4
	12'		GLCS-FS-250-15 (S or AL)-63-12	Steel	20'	15	10 3/4	12 7/8	20 5/8	10 1/2	5 1/8	11 1/4	16'-4"	13'-5 3/8"	3	4
	12'		AL-FS-250-15-63-12	Alum	20'	36	13 1/4	20	-	10 3/4	7 1/4	23 5/8	16'-4"	14'-0 1/2"	3	4
	14'		GLCS-FS-250-15 (S or AL)-63-14	Steel	20'	15	10 3/4	12 7/8	20 5/8	10 1/2	5 1/8	11 1/4	16'-4"	15'-5 3/8"	3	4
	14'		AL-FS-250-15-63-14	Alum	20'	36	13 1/4	20	-	10 3/4	7 1/4	23 5/8	16'-4"	16'-0 1/2"	3	4
	78'	10'	GLCSL-FS-250-15 (S or AL)-78-10	Steel	25'	46	10 3/4	14 7/8	22 5/8	10 1/2	5 1/8	21 7/8	16'-4"	11'-7 3/8"	3	4
		12'	GLCSL-FS-250-15 (S or AL)-78-12	Steel	25'	46	10 3/4	14 7/8	22 5/8	10 1/2	5 1/8	21 7/8	16'-4"	13'-7 3/8"	3	4
		14'	GLCSL-FS-250-15 (S or AL)-78-14	Steel	25'	46	10 3/4	14 7/8	22 5/8	10 1/2	5 1/8	21 7/8	16'-4"	15'-7 3/8"	3	4
	83'	10'	GLCS-FS-250-15 (S or AL)-83-10	Steel	20'	46	10 3/4	12 7/8	20 5/8	10 1/2	5 1/8	21 7/8	16'-4"	11'-5 3/8"	3	5
		10'	AL-FS-250-15-83-10	Alum	20'	46	13 1/4	20	-	10 3/4	7 1/4	23 5/8	16'-4"	12'-0 1/2"	3	5
		12'	GLCS-FS-250-15 (S or AL)-83-12	Steel	20'	46	10 3/4	12 7/8	20 5/8	10 1/2	5 1/8	21 7/8	16'-4"	13'-5 3/8"	3	5
		12'	AL-FS-250-15-83-12	Alum	20'	46	13 1/4	20	-	10 3/4	7 1/4	23 5/8	16'-4"	14'-0 1/2"	3	5
		14'	GLCS-FS-250-15 (S or AL)-83-14	Steel	20'	46	10 3/4	12 7/8	20 5/8	10 1/2	5 1/8	21 7/8	16'-4"	15'-5 3/8"	3	5
		14'	AL-FS-250-15-83-14	Alum	20'	46	13 1/4	20	-	10 3/4	7 1/4	23 5/8	16'-4"	16'-0 1/2"	3	5
	103'	10'	GLCS-FS-250-15 (S or AL)-103-10	Steel	20'	54	10 3/4	12 7/8	20 5/8	10 1/2	5 1/8	21 7/8	16'-4"	11'-5 3/8"	3	6
		10'	AL-FS-250-15-103-10	Alum	20'	54	13 1/4	20	-	10 3/4	7 1/4	23 5/8	16'-4"	12'-0 1/2"	3	6
		10'	GLCSL-FS-250-15 (S or AL)-103-10	Steel	25'	54	10 3/4	14 7/8	22 5/8	10 1/2	5 1/8	21 7/8	16'-4"	11'-7 3/8"	3	5
		12'	GLCS-FS-250-15 (S or AL)-103-12	Steel	20'	54	10 3/4	12 7/8	20 5/8	10 1/2	5 1/8	21 7/8	16'-4"	13'-5 3/8"	3	6
		12'	AL-FS-250-15-103-12	Alum	20'	54	13 1/4	20	-	10 3/4	7 1/4	23 5/8	16'-4"	14'-0 1/2"	3	6
		12'	GLCSL-FS-250-15 (S or AL)-103-12	Steel	25'	54	10 3/4	14 7/8	22 5/8	10 1/2	5 1/8	21 7/8	16'-4"	13'-7 3/8"	3	5
		14'	GLCS-FS-250-15 (S or AL)-103-14	Steel	20'	54	10 3/4	12 7/8	20 5/8	10 1/2	5 1/8	21 7/8	16'-4"	15'-5 3/8"	3	6
		14'	AL-FS-250-15-103-14	Alum	20'	54	13 1/4	20	-	10 3/4	7 1/4	23 5/8	16'-4"	16'-0 1/2"	3	6
	14'	GLCSL-FS-250-15 (S or AL)-103-14	Steel	25'	54	10 3/4	14 7/8	22 5/8	10 1/2	5 1/8	21 7/8	16'-4"	15'-7 3/8"	3	5	

*This column provides the total number of support assemblies based on the "L1" dimensions shown. Support assemblies are designed to AISC specifications and do not require bracing. If no movement of the support assembly is preferred, then bracing to the building steel is recommended (not included).

To Determine Hook Coverage: [Bridge Travel on Runway = Runway Length - (2xL8)] by [Hoist Trolley Travel on Bridge = Bridge Length - L3 - L6] (L6 allows for festoon stack-up).

Gorbel® Free Standing Work Station Bridge Crane Kits include: bridge, runways, the appropriate number of support assemblies, hoist trolley, end trucks, end stops, flat wire festooning, festoon gliders (festoon trolleys on steel runway lengths greater than 63' and all aluminum systems), festoon stack-up section, splice joints and hanger brackets. Hoist and anchor bolts provided by others.

Dimensions are for reference only and are subject to change without notice.

FREE STANDING WORK STATION BRIDGE CRANES

FREE STANDING WORK STATION CRANES

BRIDGE LENGTH (L)	RUNWAY LENGTH	TS	MODEL NUMBER	TRACK MAT.	RUNWAY			BRIDGE					SUPPORT STRUCTURE			
					MAX. L1	L7 in	L8 in	H3 in	H3A in	H4 in	L3 in	L6 in	OAW	OAH	D in	SPT*
20'	23'	10'	GLCS-FS-250-20 (S or AL)-23-10	Steel	20'	9	10 3/4	12 7/8	20 5/8	10 1/2	5 1/8	19 1/2	21'-4"	11'-5 3/8"	3	2
		10'	AL-FS-250-20-23-10	Alum	20'	13	13 1/4	20	-	10 3/4	7 1/4	27	21'-4"	12'-0 1/2"	3	2
		12'	GLCS-FS-250-20 (S or AL)-23-12	Steel	20'	9	10 3/4	12 7/8	20 5/8	10 1/2	5 1/8	19 1/2	21'-4"	13'-5 3/8"	3	2
		12'	AL-FS-250-20-23-12	Alum	20'	13	13 1/4	20	-	10 3/4	7 1/4	27	21'-4"	14'-0 1/2"	3	2
		14'	GLCS-FS-250-20 (S or AL)-23-14	Steel	20'	9	10 3/4	12 7/8	20 5/8	10 1/2	5 1/8	19 1/2	21'-4"	15'-5 3/8"	3	2
		14'	AL-FS-250-20-23-14	Alum	20'	13	13 1/4	20	-	10 3/4	7 1/4	27	21'-4"	16'-0 1/2"	3	2
	28'	10'	GLCSL-FS-250-20 (S or AL)-28-10	Steel	25'	9	10 3/4	14 7/8	22 5/8	10 1/2	5 1/8	19 1/2	21'-4"	11'-7 3/8"	3	2
		12'	GLCSL-FS-250-20 (S or AL)-28-12	Steel	25'	9	10 3/4	14 7/8	22 5/8	10 1/2	5 1/8	19 1/2	21'-4"	13'-7 3/8"	3	2
		14'	GLCSL-FS-250-20 (S or AL)-28-14	Steel	25'	9	10 3/4	14 7/8	22 5/8	10 1/2	5 1/8	19 1/2	21'-4"	15'-7 3/8"	3	2
	33'	10'	GLCS-FS-250-20 (S or AL)-33-10	Steel	20'	9	10 3/4	12 7/8	20 5/8	10 1/2	5 1/8	19 1/2	21'-4"	11'-5 3/8"	3	3
		10'	AL-FS-250-20-33-10	Alum	20'	19	13 1/4	20	-	10 3/4	7 1/4	27	21'-4"	12'-0 1/2"	3	3
		12'	GLCS-FS-250-20 (S or AL)-33-12	Steel	20'	9	10 3/4	12 7/8	20 5/8	10 1/2	5 1/8	19 1/2	21'-4"	13'-5 3/8"	3	3
		12'	AL-FS-250-20-33-12	Alum	20'	19	13 1/4	20	-	10 3/4	7 1/4	27	21'-4"	14'-0 1/2"	3	3
		14'	GLCS-FS-250-20 (S or AL)-33-14	Steel	20'	9	10 3/4	12 7/8	20 5/8	10 1/2	5 1/8	19 1/2	21'-4"	15'-5 3/8"	3	3
		14'	AL-FS-250-20-33-14	Alum	20'	19	13 1/4	20	-	10 3/4	7 1/4	27	21'-4"	16'-0 1/2"	3	3
	43'	10'	GLCS-FS-250-20 (S or AL)-43-10	Steel	20'	11	10 3/4	12 7/8	20 5/8	10 1/2	5 1/8	19 1/2	21'-4"	11'-5 3/8"	3	3
		10'	AL-FS-250-20-43-10	Alum	20'	26	13 1/4	20	-	10 3/4	7 1/4	27	21'-4"	12'-0 1/2"	3	3
		12'	GLCS-FS-250-20 (S or AL)-43-12	Steel	20'	11	10 3/4	12 7/8	20 5/8	10 1/2	5 1/8	19 1/2	21'-4"	13'-5 3/8"	3	3
		12'	AL-FS-250-20-43-12	Alum	20'	26	13 1/4	20	-	10 3/4	7 1/4	27	21'-4"	14'-0 1/2"	3	3
		14'	GLCS-FS-250-20 (S or AL)-43-14	Steel	20'	11	10 3/4	12 7/8	20 5/8	10 1/2	5 1/8	19 1/2	21'-4"	15'-5 3/8"	3	3
		14'	AL-FS-250-20-43-14	Alum	20'	26	13 1/4	20	-	10 3/4	7 1/4	27	21'-4"	16'-0 1/2"	3	3
	53'	10'	GLCS-FS-250-20 (S or AL)-53-10	Steel	20'	13	10 3/4	12 7/8	20 5/8	10 1/2	5 1/8	19 1/2	21'-4"	11'-5 3/8"	3	4
		10'	AL-FS-250-20-53-10	Alum	20'	30	13 1/4	20	-	10 3/4	7 1/4	27	21'-4"	12'-0 1/2"	3	4
		12'	GLCSL-FS-250-20 (S or AL)-53-10	Steel	25'	13	10 3/4	14 7/8	22 5/8	10 1/2	5 1/8	19 1/2	21'-4"	11'-7 3/8"	3	3
		12'	GLCS-FS-250-20 (S or AL)-53-12	Steel	20'	13	10 3/4	12 7/8	20 5/8	10 1/2	5 1/8	19 1/2	21'-4"	13'-5 3/8"	3	4
		12'	AL-FS-250-20-53-12	Alum	20'	30	13 1/4	20	-	10 3/4	7 1/4	27	21'-4"	14'-0 1/2"	3	4
		12'	GLCSL-FS-250-20 (S or AL)-53-12	Steel	25'	13	10 3/4	14 7/8	22 5/8	10 1/2	5 1/8	19 1/2	21'-4"	13'-7 3/8"	3	3
		14'	GLCS-FS-250-20 (S or AL)-53-14	Steel	20'	13	10 3/4	12 7/8	20 5/8	10 1/2	5 1/8	19 1/2	21'-4"	15'-5 3/8"	3	4
		14'	AL-FS-250-20-53-14	Alum	20'	30	13 1/4	20	-	10 3/4	7 1/4	27	21'-4"	16'-0 1/2"	3	4
		14'	GLCSL-FS-250-20 (S or AL)-53-14	Steel	25'	13	10 3/4	14 7/8	22 5/8	10 1/2	5 1/8	19 1/2	21'-4"	15'-7 3/8"	3	3
		63'	10'	GLCS-FS-250-20 (S or AL)-63-10	Steel	20'	15	10 3/4	12 7/8	20 5/8	10 1/2	5 1/8	19 1/2	21'-4"	11'-5 3/8"	3
	10'		AL-FS-250-20-63-10	Alum	20'	36	13 1/4	20	-	10 3/4	7 1/4	27	21'-4"	12'-0 1/2"	3	4
	12'		GLCS-FS-250-20 (S or AL)-63-12	Steel	20'	15	10 3/4	12 7/8	20 5/8	10 1/2	5 1/8	19 1/2	21'-4"	13'-5 3/8"	3	4
	12'		AL-FS-250-20-63-12	Alum	20'	36	13 1/4	20	-	10 3/4	7 1/4	27	21'-4"	14'-0 1/2"	3	4
	14'		GLCS-FS-250-20 (S or AL)-63-14	Steel	20'	15	10 3/4	12 7/8	20 5/8	10 1/2	5 1/8	19 1/2	21'-4"	15'-5 3/8"	3	4
	14'		AL-FS-250-20-63-14	Alum	20'	36	13 1/4	20	-	10 3/4	7 1/4	27	21'-4"	16'-0 1/2"	3	4
	78'	10'	GLCSL-FS-250-20 (S or AL)-78-10	Steel	25'	46	10 3/4	14 7/8	22 5/8	10 1/2	5 1/8	25 1/4	21'-4"	11'-7 3/8"	3	4
		12'	GLCSL-FS-250-20 (S or AL)-78-12	Steel	25'	46	10 3/4	14 7/8	22 5/8	10 1/2	5 1/8	25 1/4	21'-4"	13'-7 3/8"	3	4
		14'	GLCSL-FS-250-20 (S or AL)-78-14	Steel	25'	46	10 3/4	14 7/8	22 5/8	10 1/2	5 1/8	25 1/4	21'-4"	15'-7 3/8"	3	4
	83'	10'	GLCS-FS-250-20 (S or AL)-83-10	Steel	20'	46	10 3/4	12 7/8	20 5/8	10 1/2	5 1/8	25 1/4	21'-4"	11'-5 3/8"	3	5
		10'	AL-FS-250-20-83-10	Alum	20'	46	13 1/4	20	-	10 3/4	7 1/4	27	21'-4"	12'-0 1/2"	3	5
		12'	GLCS-FS-250-20 (S or AL)-83-12	Steel	20'	46	10 3/4	12 7/8	20 5/8	10 1/2	5 1/8	25 1/4	21'-4"	13'-5 3/8"	3	5
		12'	AL-FS-250-20-83-12	Alum	20'	46	13 1/4	20	-	10 3/4	7 1/4	27	21'-4"	14'-0 1/2"	3	5
		14'	GLCS-FS-250-20 (S or AL)-83-14	Steel	20'	46	10 3/4	12 7/8	20 5/8	10 1/2	5 1/8	25 1/4	21'-4"	15'-5 3/8"	3	5
		14'	AL-FS-250-20-83-14	Alum	20'	46	13 1/4	20	-	10 3/4	7 1/4	27	21'-4"	16'-0 1/2"	3	5
	103'	10'	GLCS-FS-250-20 (S or AL)-103-10	Steel	20'	54	10 3/4	12 7/8	20 5/8	10 1/2	5 1/8	25 1/4	21'-4"	11'-5 3/8"	3	6
		10'	AL-FS-250-20-103-10	Alum	20'	54	13 1/4	20	-	10 3/4	7 1/4	27	21'-4"	12'-0 1/2"	3	6
		10'	GLCSL-FS-250-20 (S or AL)-103-10	Steel	25'	54	10 3/4	14 7/8	22 5/8	10 1/2	5 1/8	25 1/4	21'-4"	11'-7 3/8"	3	5
		12'	GLCS-FS-250-20 (S or AL)-103-12	Steel	20'	54	10 3/4	12 7/8	20 5/8	10 1/2	5 1/8	25 1/4	21'-4"	13'-5 3/8"	3	6
		12'	AL-FS-250-20-103-12	Alum	20'	54	13 1/4	20	-	10 3/4	7 1/4	27	21'-4"	14'-0 1/2"	3	6
		12'	GLCSL-FS-250-20 (S or AL)-103-12	Steel	25'	54	10 3/4	14 7/8	22 5/8	10 1/2	5 1/8	25 1/4	21'-4"	13'-7 3/8"	3	5
		14'	GLCS-FS-250-20 (S or AL)-103-14	Steel	20'	54	10 3/4	12 7/8	20 5/8	10 1/2	5 1/8	25 1/4	21'-4"	15'-5 3/8"	3	6
		14'	AL-FS-250-20-103-14	Alum	20'	54	13 1/4	20	-	10 3/4	7 1/4	27	21'-4"	16'-0 1/2"	3	6
	14'	GLCSL-FS-250-20 (S or AL)-103-14	Steel	25'	54	10 3/4	14 7/8	22 5/8	10 1/2	5 1/8	25 1/4	21'-4"	15'-7 3/8"	3	5	

*This column provides the total number of support assemblies based on the "L1" dimensions shown. Support assemblies are designed to AISC specifications and do not require bracing. If no movement of the support assembly is preferred, then bracing to the building steel is recommended (not included).

To Determine Hook Coverage: [Bridge Travel on Runway = Runway Length - (2xL8)] by [Hoist Trolley Travel on Bridge = Bridge Length - L3 - L6] (L6 allows for festoon stack-up).

Gorbel® Free Standing Work Station Bridge Crane Kits include: bridge, runways, the appropriate number of support assemblies, hoist trolley, end trucks, end stops, flat wire festooning, festoon gliders (festoon trolleys on steel runway lengths greater than 63' and all aluminum systems), festoon stack-up section, splice joints and hanger brackets. Hoist and anchor bolts provided by others.

Dimensions are for reference only and are subject to change without notice.

250# CAPACITY

FREE STANDING WORK STATION CRANES

FREE STANDING WORK STATION BRIDGE CRANES

BRIDGE LENGTH (L)	RUNWAY LENGTH	TS	MODEL NUMBER	TRACK MAT.	RUNWAY			BRIDGE					SUPPORT STRUCTURE				
					MAX. L1	L7 in	L8 in	H3 in	H3A in	H4 in	L3 in	L6 in	OAW	OAH	D in	SPT #	
23'	10' 10' 12' 12' 14' 14'		GLCS-FS-250-23 (S or AL)-23-10	Steel	20'	9	10 3/4	12 7/8	20 5/8	10 1/2	5 1/8	19 1/2	24'-4"	11'-5 3/8"	3	2	
			AL-FS-250-23-23-10	Alum	20'	13	13 1/4	20	-	10 3/4	7 1/4	30 3/8	24'-4"	12'-0 1/2"	3	2	
			GLCS-FS-250-23 (S or AL)-23-12	Steel	20'	9	10 3/4	12 7/8	20 5/8	10 1/2	5 1/8	19 1/2	24'-4"	13'-5 3/8"	3	2	
			AL-FS-250-23-23-12	Alum	20'	13	13 1/4	20	-	10 3/4	7 1/4	30 3/8	24'-4"	14'-0 1/2"	3	2	
			GLCS-FS-250-23 (S or AL)-23-14	Steel	20'	9	10 3/4	12 7/8	20 5/8	10 1/2	5 1/8	19 1/2	24'-4"	15'-5 3/8"	3	2	
			AL-FS-250-23-23-14	Alum	20'	13	13 1/4	20	-	10 3/4	7 1/4	30 3/8	24'-4"	16'-0 1/2"	3	2	
	28'	10' 12' 14'		GLCSL-FS-250-23 (S or AL)-28-10	Steel	25'	9	10 3/4	14 7/8	22 5/8	10 1/2	5 1/8	19 1/2	24'-4"	11'-7 3/8"	3	2
				GLCSL-FS-250-23 (S or AL)-28-12	Steel	25'	9	10 3/4	14 7/8	22 5/8	10 1/2	5 1/8	19 1/2	24'-4"	13'-7 3/8"	3	2
				GLCSL-FS-250-23 (S or AL)-28-14	Steel	25'	9	10 3/4	14 7/8	22 5/8	10 1/2	5 1/8	19 1/2	24'-4"	15'-7 3/8"	3	2
	33'	10' 10' 12' 12' 14' 14'		GLCS-FS-250-23 (S or AL)-33-10	Steel	20'	9	10 3/4	12 7/8	20 5/8	10 1/2	5 1/8	19 1/2	24'-4"	11'-5 3/8"	3	3
				AL-FS-250-23-33-10	Alum	20'	19	13 1/4	20	-	10 3/4	7 1/4	30 3/8	24'-4"	12'-0 1/2"	3	3
				GLCS-FS-250-23 (S or AL)-33-12	Steel	20'	9	10 3/4	12 7/8	20 5/8	10 1/2	5 1/8	19 1/2	24'-4"	13'-5 3/8"	3	3
AL-FS-250-23-33-12				Alum	20'	19	13 1/4	20	-	10 3/4	7 1/4	30 3/8	24'-4"	14'-0 1/2"	3	3	
GLCS-FS-250-23 (S or AL)-33-14				Steel	20'	9	10 3/4	12 7/8	20 5/8	10 1/2	5 1/8	19 1/2	24'-4"	15'-5 3/8"	3	3	
AL-FS-250-23-33-14				Alum	20'	19	13 1/4	20	-	10 3/4	7 1/4	30 3/8	24'-4"	16'-0 1/2"	3	3	
43'	10' 10' 12' 12' 14' 14'		GLCS-FS-250-23 (S or AL)-43-10	Steel	20'	11	10 3/4	12 7/8	20 5/8	10 1/2	5 1/8	19 1/2	24'-4"	11'-5 3/8"	3	3	
			AL-FS-250-23-43-10	Alum	20'	26	13 1/4	20	-	10 3/4	7 1/4	30 3/8	24'-4"	12'-0 1/2"	3	3	
			GLCS-FS-250-23 (S or AL)-43-12	Steel	20'	11	10 3/4	12 7/8	20 5/8	10 1/2	5 1/8	19 1/2	24'-4"	13'-5 3/8"	3	3	
			AL-FS-250-23-43-12	Alum	20'	26	13 1/4	20	-	10 3/4	7 1/4	30 3/8	24'-4"	14'-0 1/2"	3	3	
			GLCS-FS-250-23 (S or AL)-43-14	Steel	20'	11	10 3/4	12 7/8	20 5/8	10 1/2	5 1/8	19 1/2	24'-4"	15'-5 3/8"	3	3	
			AL-FS-250-23-43-14	Alum	20'	26	13 1/4	20	-	10 3/4	7 1/4	30 3/8	24'-4"	16'-0 1/2"	3	3	
23'	10' 10' 10' 12' 12' 14' 14' 14' 14'		GLCS-FS-250-23 (S or AL)-53-10	Steel	20'	13	10 3/4	12 7/8	20 5/8	10 1/2	5 1/8	19 1/2	24'-4"	11'-5 3/8"	3	4	
			AL-FS-250-23-53-10	Alum	20'	30	13 1/4	20	-	10 3/4	7 1/4	30 3/8	24'-4"	12'-0 1/2"	3	4	
			GLCSL-FS-250-23 (S or AL)-53-10	Steel	25'	13	10 3/4	14 7/8	22 5/8	10 1/2	5 1/8	19 1/2	24'-4"	11'-7 3/8"	3	3	
			GLCS-FS-250-23 (S or AL)-53-12	Steel	20'	13	10 3/4	12 7/8	20 5/8	10 1/2	5 1/8	19 1/2	24'-4"	13'-5 3/8"	3	4	
			AL-FS-250-23-53-12	Alum	20'	30	13 1/4	20	-	10 3/4	7 1/4	30 3/8	24'-4"	14'-0 1/2"	3	4	
			GLCSL-FS-250-23 (S or AL)-53-12	Steel	25'	13	10 3/4	14 7/8	22 5/8	10 1/2	5 1/8	19 1/2	24'-4"	13'-7 3/8"	3	3	
			GLCS-FS-250-23 (S or AL)-53-14	Steel	20'	13	10 3/4	12 7/8	20 5/8	10 1/2	5 1/8	19 1/2	24'-4"	15'-5 3/8"	3	4	
			AL-FS-250-23-53-14	Alum	20'	30	13 1/4	20	-	10 3/4	7 1/4	30 3/8	24'-4"	16'-0 1/2"	3	4	
			GLCSL-FS-250-23 (S or AL)-53-14	Steel	25'	13	10 3/4	14 7/8	22 5/8	10 1/2	5 1/8	19 1/2	24'-4"	15'-7 3/8"	3	3	
			63'	10' 10' 12' 12' 14' 14'		GLCS-FS-250-23 (S or AL)-63-10	Steel	20'	15	10 3/4	12 7/8	20 5/8	10 1/2	5 1/8	19 1/2	24'-4"	11'-5 3/8"
AL-FS-250-23-63-10	Alum	20'				36	13 1/4	20	-	10 3/4	7 1/4	30 3/8	24'-4"	12'-0 1/2"	3	4	
GLCS-FS-250-23 (S or AL)-63-12	Steel	20'				15	10 3/4	12 7/8	20 5/8	10 1/2	5 1/8	19 1/2	24'-4"	13'-5 3/8"	3	4	
AL-FS-250-23-63-12	Alum	20'				36	13 1/4	20	-	10 3/4	7 1/4	30 3/8	24'-4"	14'-0 1/2"	3	4	
GLCS-FS-250-23 (S or AL)-63-14	Steel	20'				15	10 3/4	12 7/8	20 5/8	10 1/2	5 1/8	19 1/2	24'-4"	15'-5 3/8"	3	4	
AL-FS-250-23-63-14	Alum	20'				36	13 1/4	20	-	10 3/4	7 1/4	30 3/8	24'-4"	16'-0 1/2"	3	4	
78'	10' 12' 14'		GLCSL-FS-250-23 (S or AL)-78-10	Steel	25'	46	10 3/4	14 7/8	22 5/8	10 1/2	5 1/8	30 3/8	24'-4"	11'-7 3/8"	3	4	
			GLCSL-FS-250-23 (S or AL)-78-12	Steel	25'	46	10 3/4	14 7/8	22 5/8	10 1/2	5 1/8	30 3/8	24'-4"	13'-7 3/8"	3	4	
			GLCSL-FS-250-23 (S or AL)-78-14	Steel	25'	46	10 3/4	14 7/8	22 5/8	10 1/2	5 1/8	30 3/8	24'-4"	15'-7 3/8"	3	4	
83'	10' 10' 12' 12' 14' 14'		GLCS-FS-250-23 (S or AL)-83-10	Steel	20'	46	10 3/4	12 7/8	20 5/8	10 1/2	5 1/8	30 3/8	24'-4"	11'-5 3/8"	3	5	
			AL-FS-250-23-83-10	Alum	20'	46	13 1/4	20	-	10 3/4	7 1/4	30 3/8	24'-4"	12'-0 1/2"	3	5	
			GLCS-FS-250-23 (S or AL)-83-12	Steel	20'	46	10 3/4	12 7/8	20 5/8	10 1/2	5 1/8	30 3/8	24'-4"	13'-5 3/8"	3	5	
			AL-FS-250-23-83-12	Alum	20'	46	13 1/4	20	-	10 3/4	7 1/4	30 3/8	24'-4"	14'-0 1/2"	3	5	
			GLCS-FS-250-23 (S or AL)-83-14	Steel	20'	46	10 3/4	12 7/8	20 5/8	10 1/2	5 1/8	30 3/8	24'-4"	15'-5 3/8"	3	5	
			AL-FS-250-23-83-14	Alum	20'	46	13 1/4	20	-	10 3/4	7 1/4	30 3/8	24'-4"	16'-0 1/2"	3	5	
103'	10' 10' 10' 12' 12' 14' 14' 14'		GLCS-FS-250-23 (S or AL)-103-10	Steel	20'	54	10 3/4	12 7/8	20 5/8	10 1/2	5 1/8	30 3/8	24'-4"	11'-5 3/8"	3	6	
			AL-FS-250-23-103-10	Alum	20'	54	13 1/4	20	-	10 3/4	7 1/4	30 3/8	24'-4"	12'-0 1/2"	3	6	
			GLCSL-FS-250-23 (S or AL)-103-10	Steel	25'	54	10 3/4	14 7/8	22 5/8	10 1/2	5 1/8	30 3/8	24'-4"	11'-7 3/8"	3	5	
			GLCS-FS-250-23 (S or AL)-103-12	Steel	20'	54	10 3/4	12 7/8	20 5/8	10 1/2	5 1/8	30 3/8	24'-4"	13'-5 3/8"	3	6	
			AL-FS-250-23-103-12	Alum	20'	54	13 1/4	20	-	10 3/4	7 1/4	30 3/8	24'-4"	14'-0 1/2"	3	6	
			GLCSL-FS-250-23 (S or AL)-103-12	Steel	25'	54	10 3/4	14 7/8	22 5/8	10 1/2	5 1/8	30 3/8	24'-4"	13'-7 3/8"	3	5	
			GLCS-FS-250-23 (S or AL)-103-14	Steel	20'	54	10 3/4	12 7/8	20 5/8	10 1/2	5 1/8	30 3/8	24'-4"	15'-5 3/8"	3	6	
			AL-FS-250-23-103-14	Alum	20'	54	13 1/4	20	-	10 3/4	7 1/4	30 3/8	24'-4"	16'-0 1/2"	3	6	
			GLCSL-FS-250-23 (S or AL)-103-14	Steel	25'	54	10 3/4	14 7/8	22 5/8	10 1/2	5 1/8	30 3/8	24'-4"	15'-7 3/8"	3	5	

*This column provides the total number of support assemblies based on the "L1" dimensions shown. Support assemblies are designed to AISC specifications and do not require bracing. If no movement of the support assembly is preferred, then bracing to the building steel is recommended (not included).

To Determine Hook Coverage: [Bridge Travel on Runway = Runway Length - (2xL8)] by [Hoist Trolley Travel on Bridge = Bridge Length - L3 - L6] (L6 allows for festoon stack-up).

Gorbel® Free Standing Work Station Bridge Crane Kits include: bridge, runways, the appropriate number of support assemblies, hoist trolley, end trucks, end stops, flat wire festooning, festoon gliders (festoon trolleys on steel runway lengths greater than 63' and all aluminum systems), festoon stack-up section, splice joints and hanger brackets. Hoist and anchor bolts provided by others.

Dimensions are for reference only and are subject to change without notice.

FREE STANDING WORK STATION BRIDGE CRANES

FREE STANDING WORK STATION CRANES

BRIDGE LENGTH (L)	RUNWAY LENGTH	TS	MODEL NUMBER	TRACK MAT.	RUNWAY			BRIDGE				SUPPORT STRUCTURE					
					MAX. L1	L7 in	L8 in	H3 in	H3A in	H4 in	L3 in	L6 in	OAW	OAH	D in	SFT*	
28'	23'	10'	GLCS-FS-250-28 (S or AL)-23-10	Steel	20'	9	21 3/4	15 1/4	25 1/4	12 1/2	5 1/8	28 1/2	29'-4"	11'-8 3/4"	3	2	
		10'	AL-FS-250-28-23-10	Alum	20'	13	23 3/8	24 3/8	-	12 5/8	7 1/4	37 1/8	29'-4"	12'-5 7/8"	3	2	
		12'	GLCS-FS-250-28 (S or AL)-23-12	Steel	20'	9	21 3/4	15 1/4	25 1/4	12 1/2	5 1/8	28 1/2	29'-4"	13'-8 3/4"	3	2	
		12'	AL-FS-250-28-23-12	Alum	20'	13	23 3/8	24 3/8	-	12 5/8	7 1/4	37 1/8	29'-4"	14'-5 7/8"	3	2	
		14'	GLCS-FS-250-28 (S or AL)-23-14	Steel	20'	9	21 3/4	15 1/4	25 1/4	12 1/2	5 1/8	28 1/2	29'-4"	15'-8 3/4"	3	2	
		14'	AL-FS-250-28-23-14	Alum	20'	13	23 3/8	24 3/8	-	12 5/8	7 1/4	37 1/8	29'-4"	16'-5 7/8"	3	2	
	28'	28'	10'	GLCSL-FS-250-28 (S or AL)-28-10	Steel	25'	9	21 3/4	17 1/4	27 1/4	12 1/2	5 1/8	28 1/2	29'-4"	11'-10 3/4"	3	2
			12'	GLCSL-FS-250-28 (S or AL)-28-12	Steel	25'	9	21 3/4	17 1/4	27 1/4	12 1/2	5 1/8	28 1/2	29'-4"	13'-10 3/4"	3	2
			14'	GLCSL-FS-250-28 (S or AL)-28-14	Steel	25'	9	21 3/4	17 1/4	27 1/4	12 1/2	5 1/8	28 1/2	29'-4"	15'-10 3/4"	3	2
	28'	33'	10'	GLCS-FS-250-28 (S or AL)-33-10	Steel	20'	9	21 3/4	15 1/4	25 1/4	12 1/2	5 1/8	28 1/2	29'-4"	11'-8 3/4"	3	3
10'			AL-FS-250-28-33-10	Alum	20'	19	23 3/8	24 3/8	-	12 5/8	7 1/4	37 1/8	29'-4"	12'-5 7/8"	3	3	
12'			GLCS-FS-250-28 (S or AL)-33-12	Steel	20'	9	21 3/4	15 1/4	25 1/4	12 1/2	5 1/8	28 1/2	29'-4"	13'-8 3/4"	3	3	
12'			AL-FS-250-28-33-12	Alum	20'	19	23 3/8	24 3/8	-	12 5/8	7 1/4	37 1/8	29'-4"	14'-5 7/8"	3	3	
14'			GLCS-FS-250-28 (S or AL)-33-14	Steel	20'	9	21 3/4	15 1/4	25 1/4	12 1/2	5 1/8	28 1/2	29'-4"	15'-8 3/4"	3	3	
14'			AL-FS-250-28-33-14	Alum	20'	19	23 3/8	24 3/8	-	12 5/8	7 1/4	37 1/8	29'-4"	16'-5 7/8"	3	3	
28'	43'	10'	GLCS-FS-250-28 (S or AL)-43-10	Steel	20'	11	21 3/4	15 1/4	25 1/4	12 1/2	5 1/8	28 1/2	29'-4"	11'-8 3/4"	3	3	
		10'	AL-FS-250-28-43-10	Alum	20'	26	23 3/8	24 3/8	-	12 5/8	7 1/4	37 1/8	29'-4"	12'-5 7/8"	3	3	
		12'	GLCS-FS-250-28 (S or AL)-43-12	Steel	20'	11	21 3/4	15 1/4	25 1/4	12 1/2	5 1/8	28 1/2	29'-4"	13'-8 3/4"	3	3	
		12'	AL-FS-250-28-43-12	Alum	20'	26	23 3/8	24 3/8	-	12 5/8	7 1/4	37 1/8	29'-4"	14'-5 7/8"	3	3	
		14'	GLCS-FS-250-28 (S or AL)-43-14	Steel	20'	11	21 3/4	15 1/4	25 1/4	12 1/2	5 1/8	28 1/2	29'-4"	15'-8 3/4"	3	3	
		14'	AL-FS-250-28-43-14	Alum	20'	26	23 3/8	24 3/8	-	12 5/8	7 1/4	37 1/8	29'-4"	16'-5 7/8"	3	3	
28'	53'	10'	GLCS-FS-250-28 (S or AL)-53-10	Steel	20'	13	21 3/4	15 1/4	25 1/4	12 1/2	5 1/8	28 1/2	29'-4"	11'-8 3/4"	3	4	
		10'	AL-FS-250-28-53-10	Alum	20'	30	23 3/8	24 3/8	-	12 5/8	7 1/4	37 1/8	29'-4"	12'-5 7/8"	3	4	
		12'	GLCSL-FS-250-28 (S or AL)-53-10	Steel	25'	13	21 3/4	17 1/4	27 1/4	12 1/2	5 1/8	28 1/2	29'-4"	11'-10 3/4"	3	3	
		12'	GLCS-FS-250-28 (S or AL)-53-12	Steel	20'	13	21 3/4	15 1/4	25 1/4	12 1/2	5 1/8	28 1/2	29'-4"	13'-8 3/4"	3	4	
		12'	AL-FS-250-28-53-12	Alum	20'	30	23 3/8	24 3/8	-	12 5/8	7 1/4	37 1/8	29'-4"	14'-5 7/8"	3	4	
		12'	GLCSL-FS-250-28 (S or AL)-53-12	Steel	25'	13	21 3/4	17 1/4	27 1/4	12 1/2	5 1/8	28 1/2	29'-4"	13'-10 3/4"	3	3	
	53'	53'	14'	GLCS-FS-250-28 (S or AL)-53-14	Steel	20'	13	21 3/4	15 1/4	25 1/4	12 1/2	5 1/8	28 1/2	29'-4"	15'-8 3/4"	3	4
			14'	AL-FS-250-28-53-14	Alum	20'	30	23 3/8	24 3/8	-	12 5/8	7 1/4	37 1/8	29'-4"	16'-5 7/8"	3	4
			14'	GLCSL-FS-250-28 (S or AL)-53-14	Steel	25'	13	21 3/4	17 1/4	27 1/4	12 1/2	5 1/8	28 1/2	29'-4"	15'-10 3/4"	3	3
			14'	GLCSL-FS-250-28 (S or AL)-53-14	Steel	25'	13	21 3/4	17 1/4	27 1/4	12 1/2	5 1/8	28 1/2	29'-4"	15'-10 3/4"	3	3
28'	63'	10'	GLCS-FS-250-28 (S or AL)-63-10	Steel	20'	15	21 3/4	15 1/4	25 1/4	12 1/2	5 1/8	35 3/8	29'-4"	11'-8 3/4"	3	4	
		10'	AL-FS-250-28-63-10	Alum	20'	36	23 3/8	24 3/8	-	12 5/8	7 1/4	37 1/8	29'-4"	12'-5 7/8"	3	4	
		12'	GLCS-FS-250-28 (S or AL)-63-12	Steel	20'	15	21 3/4	15 1/4	25 1/4	12 1/2	5 1/8	35 3/8	29'-4"	13'-8 3/4"	3	4	
		12'	AL-FS-250-28-63-12	Alum	20'	36	23 3/8	24 3/8	-	12 5/8	7 1/4	37 1/8	29'-4"	14'-5 7/8"	3	4	
		14'	GLCS-FS-250-28 (S or AL)-63-14	Steel	20'	15	21 3/4	15 1/4	25 1/4	12 1/2	5 1/8	35 3/8	29'-4"	15'-8 3/4"	3	4	
		14'	AL-FS-250-28-63-14	Alum	20'	36	23 3/8	24 3/8	-	12 5/8	7 1/4	37 1/8	29'-4"	16'-5 7/8"	3	4	
28'	78'	10'	GLCSL-FS-250-28 (S or AL)-78-10	Steel	25'	46	21 3/4	17 1/4	27 1/4	12 1/2	5 1/8	35 3/8	29'-4"	11'-10 3/4"	3	4	
		12'	GLCSL-FS-250-28 (S or AL)-78-12	Steel	25'	46	21 3/4	17 1/4	27 1/4	12 1/2	5 1/8	35 3/8	29'-4"	13'-10 3/4"	3	4	
		14'	GLCSL-FS-250-28 (S or AL)-78-14	Steel	25'	46	21 3/4	17 1/4	27 1/4	12 1/2	5 1/8	35 3/8	29'-4"	15'-10 3/4"	3	4	
28'	83'	10'	GLCS-FS-250-28 (S or AL)-83-10	Steel	20'	46	21 3/4	15 1/4	25 1/4	12 1/2	5 1/8	35 3/8	29'-4"	11'-8 3/4"	3	5	
		10'	AL-FS-250-28-83-10	Alum	20'	46	23 3/8	24 3/8	-	12 5/8	7 1/4	37 1/8	29'-4"	12'-5 7/8"	3	5	
		12'	GLCS-FS-250-28 (S or AL)-83-12	Steel	20'	46	21 3/4	15 1/4	25 1/4	12 1/2	5 1/8	35 3/8	29'-4"	13'-8 3/4"	3	5	
		12'	AL-FS-250-28-83-12	Alum	20'	46	23 3/8	24 3/8	-	12 5/8	7 1/4	37 1/8	29'-4"	14'-5 7/8"	3	5	
		14'	GLCS-FS-250-28 (S or AL)-83-14	Steel	20'	46	21 3/4	15 1/4	25 1/4	12 1/2	5 1/8	35 3/8	29'-4"	15'-8 3/4"	3	5	
		14'	AL-FS-250-28-83-14	Alum	20'	46	23 3/8	24 3/8	-	12 5/8	7 1/4	37 1/8	29'-4"	16'-5 7/8"	3	5	
28'	103'	10'	GLCS-FS-250-28 (S or AL)-103-10	Steel	20'	54	21 3/4	15 1/4	25 1/4	12 1/2	5 1/8	35 3/8	29'-4"	11'-8 3/4"	3	6	
		10'	AL-FS-250-28-103-10	Alum	20'	54	23 3/8	24 3/8	-	12 5/8	7 1/4	37 1/8	29'-4"	12'-5 7/8"	3	6	
		12'	GLCSL-FS-250-28 (S or AL)-103-10	Steel	25'	54	21 3/4	17 1/4	27 1/4	12 1/2	5 1/8	35 3/8	29'-4"	11'-10 3/4"	3	5	
		12'	GLCS-FS-250-28 (S or AL)-103-12	Steel	20'	54	21 3/4	15 1/4	25 1/4	12 1/2	5 1/8	35 3/8	29'-4"	13'-8 3/4"	3	6	
		12'	AL-FS-250-28-103-12	Alum	20'	54	23 3/8	24 3/8	-	12 5/8	7 1/4	37 1/8	29'-4"	14'-5 7/8"	3	6	
		12'	GLCSL-FS-250-28 (S or AL)-103-12	Steel	25'	54	21 3/4	17 1/4	27 1/4	12 1/2	5 1/8	35 3/8	29'-4"	13'-10 3/4"	3	5	
		14'	GLCS-FS-250-28 (S or AL)-103-14	Steel	20'	54	21 3/4	15 1/4	25 1/4	12 1/2	5 1/8	35 3/8	29'-4"	15'-8 3/4"	3	6	
		14'	AL-FS-250-28-103-14	Alum	20'	54	23 3/8	24 3/8	-	12 5/8	7 1/4	37 1/8	29'-4"	16'-5 7/8"	3	6	
		14'	GLCSL-FS-250-28 (S or AL)-103-14	Steel	25'	54	21 3/4	17 1/4	27 1/4	12 1/2	5 1/8	35 3/8	29'-4"	15'-10 3/4"	3	5	
		14'	GLCSL-FS-250-28 (S or AL)-103-14	Steel	25'	54	21 3/4	17 1/4	27 1/4	12 1/2	5 1/8	35 3/8	29'-4"	15'-10 3/4"	3	5	

*This column provides the total number of support assemblies based on the "L1" dimensions shown. Support assemblies are designed to AISC specifications and do not require bracing. If no movement of the support assembly is preferred, then bracing to the building steel is recommended (not included).

To Determine Hook Coverage: [Bridge Travel on Runway = Runway Length - (2xL8)] by [Hoist Trolley Travel on Bridge = Bridge Length - L3 - L6] (L6 allows for festoon stack-up).

Gorbel® Free Standing Work Station Bridge Crane Kits include: bridge, runways, the appropriate number of support assemblies, hoist trolley, end trucks, end stops, flat wire festooning, festoon gliders (festoon trolleys on steel runway lengths greater than 63' and all aluminum systems), festoon stack-up section, splice joints and hanger brackets. Hoist and anchor bolts provided by others.

Dimensions are for reference only and are subject to change without notice.

500# CAPACITY

FREE STANDING WORK STATION CRANES

FREE STANDING WORK STATION BRIDGE CRANES

BRIDGE LENGTH (L)	RUNWAY LENGTH	TS	MODEL NUMBER	TRACK MAT.	RUNWAY			BRIDGE					SUPPORT STRUCTURE			
					MAX. L1	L7 in	L8 in	H3 in	H3A in	H4 in	L3 in	L6 in	OAW	OAH	D in	*tds
10'	11'-6"	10'	GLCS-FS-500-10 (S or AL)-11.5-10	Steel	20'	9	13 1/8	16 1/2	24	6 5/8	7 1/8	10 1/2	11'-4"	11'-9"	3	2
		12'	GLCS-FS-500-10 (S or AL)-11.5-12	Steel	20'	9	13 1/8	16 1/2	24	6 5/8	7 1/8	10 1/2	11'-6"	13'-9"	4	2
		14'	GLCSL-FS-500-10 (S or AL)-11.5-14	Steel	20'	9	13 1/8	16 1/2	24	6 5/8	7 1/8	10 1/2	11'-6"	15'-9"	4	2
	23'	10'	GLCS-FS-500-10 (S or AL)-23-10	Steel	20'	9	13 1/8	16 1/2	24	6 5/8	7 1/8	10 1/2	11'-4"	11'-9"	3	2
		10'	AL-FS-500-10-23-10	Alum	20'	13	13 1/4	23 7/8	-	12 5/8	7 1/4	16 7/8	11'-4"	12'-4 3/8"	3	2
		12'	GLCS-FS-500-10 (S or AL)-23-12	Steel	20'	9	13 1/8	16 1/2	24	6 5/8	7 1/8	10 1/2	11'-6"	13'-9"	4	2
		12'	AL-FS-500-10-23-12	Alum	20'	13	13 1/4	23 7/8	-	12 5/8	7 1/4	16 7/8	11'-6"	14'-4 3/8"	4	2
		14'	GLCS-FS-500-10 (S or AL)-23-14	Steel	20'	9	13 1/8	16 1/2	24	6 5/8	7 1/8	10 1/2	11'-6"	15'-9"	4	2
		14'	AL-FS-500-10-23-14	Alum	20'	13	13 1/4	23 7/8	-	12 5/8	7 1/4	16 7/8	11'-6"	16'-4 3/8"	4	2
	28'	10'	GLCSL-FS-500-10 (S or AL)-28-10	Steel	25'	9	13 1/8	18 7/8	26 3/8	6 5/8	7 1/8	10 1/2	11'-4"	11'-11 3/8"	3	2
		12'	GLCSL-FS-500-10 (S or AL)-28-12	Steel	25'	9	13 1/8	18 7/8	26 3/8	6 5/8	7 1/8	10 1/2	11'-6"	13'-11 3/8"	4	2
		14'	GLCSL-FS-500-10 (S or AL)-28-14	Steel	25'	9	13 1/8	18 7/8	26 3/8	6 5/8	7 1/8	10 1/2	11'-6"	15'-11 3/8"	4	2
	33'	10'	GLCS-FS-500-10 (S or AL)-33-10	Steel	20'	9	13 1/8	16 1/2	24	6 5/8	7 1/8	10 1/2	11'-4"	11'-9"	3	3
		10'	AL-FS-500-10-33-10	Alum	20'	19	13 1/4	23 7/8	-	12 5/8	7 1/4	16 7/8	11'-4"	12'-4 3/8"	3	3
		12'	GLCS-FS-500-10 (S or AL)-33-12	Steel	20'	9	13 1/8	16 1/2	24	6 5/8	7 1/8	10 1/2	11'-6"	13'-9"	4	3
		12'	AL-FS-500-10-33-12	Alum	20'	19	13 1/4	23 7/8	-	12 5/8	7 1/4	16 7/8	11'-6"	14'-4 3/8"	4	3
		14'	GLCS-FS-500-10 (S or AL)-33-14	Steel	20'	9	13 1/8	16 1/2	24	6 5/8	7 1/8	10 1/2	11'-6"	15'-9"	4	3
		14'	AL-FS-500-10-33-14	Alum	20'	19	13 1/4	23 7/8	-	12 5/8	7 1/4	16 7/8	11'-6"	16'-4 3/8"	4	3
	34'	10'	GLCSLX-FS-500-10 (S or AL)-34-10	Steel	30'	9	13 1/8	20 7/8	28 3/8	6 5/8	7 1/8	10 1/2	11'-4"	12'-1 3/8"	3	2
		12'	GLCSLX-FS-500-10 (S or AL)-34-12	Steel	30'	9	13 1/8	20 7/8	28 3/8	6 5/8	7 1/8	10 1/2	11'-6"	14'-1 3/8"	4	2
		14'	GLCSLX-FS-500-10 (S or AL)-34-14	Steel	30'	9	13 1/8	20 7/8	28 3/8	6 5/8	7 1/8	10 1/2	11'-6"	16'-1 3/8"	4	2
	43'	10'	GLCS-FS-500-10 (S or AL)-43-10	Steel	20'	11	13 1/8	16 1/2	24	6 5/8	7 1/8	10 1/2	11'-4"	11'-9"	3	3
		10'	AL-FS-500-10-43-10	Alum	20'	26	13 1/4	23 7/8	-	12 5/8	7 1/4	16 7/8	11'-4"	12'-4 3/8"	3	3
		12'	GLCS-FS-500-10 (S or AL)-43-12	Steel	20'	11	13 1/8	16 1/2	24	6 5/8	7 1/8	10 1/2	11'-6"	13'-9"	4	3
		12'	AL-FS-500-10-43-12	Alum	20'	26	13 1/4	23 7/8	-	12 5/8	7 1/4	16 7/8	11'-6"	14'-4 3/8"	4	3
		14'	GLCS-FS-500-10 (S or AL)-43-14	Steel	20'	11	13 1/8	16 1/2	24	6 5/8	7 1/8	10 1/2	11'-6"	15'-9"	4	3
		14'	AL-FS-500-10-43-14	Alum	20'	26	13 1/4	23 7/8	-	12 5/8	7 1/4	16 7/8	11'-6"	16'-4 3/8"	4	3
	53'	10'	GLCS-FS-500-10 (S or AL)-53-10	Steel	20'	13	13 1/8	16 1/2	24	6 5/8	7 1/8	10 1/2	11'-4"	11'-9"	3	4
		10'	AL-FS-500-10-53-10	Alum	20'	30	13 1/4	23 7/8	-	12 5/8	7 1/4	16 7/8	11'-4"	12'-4 3/8"	3	4
		10'	GLCSL-FS-500-10 (S or AL)-53-10	Steel	25'	13	13 1/8	18 7/8	26 3/8	6 5/8	7 1/8	10 1/2	11'-4"	11'-11 3/8"	3	3
		12'	GLCS-FS-500-10 (S or AL)-53-12	Steel	20'	13	13 1/8	16 1/2	24	6 5/8	7 1/8	10 1/2	11'-6"	13'-9"	4	4
		12'	AL-FS-500-10-53-12	Alum	20'	30	13 1/4	23 7/8	-	12 5/8	7 1/4	16 7/8	11'-6"	14'-4 3/8"	4	4
		12'	GLCSL-FS-500-10 (S or AL)-53-12	Steel	25'	13	13 1/8	18 7/8	26 3/8	6 5/8	7 1/8	10 1/2	11'-6"	13'-11 3/8"	4	3
		14'	GLCS-FS-500-10 (S or AL)-53-14	Steel	20'	13	13 1/8	16 1/2	24	6 5/8	7 1/8	10 1/2	11'-6"	15'-9"	4	4
		14'	AL-FS-500-10-53-14	Alum	20'	30	13 1/4	23 7/8	-	12 5/8	7 1/4	16 7/8	11'-6"	16'-4 3/8"	4	4
		14'	GLCSL-FS-500-10 (S or AL)-53-14	Steel	25'	13	13 1/8	18 7/8	26 3/8	6 5/8	7 1/8	10 1/2	11'-6"	15'-11 3/8"	4	3
		63'	10'	GLCS-FS-500-10 (S or AL)-63-10	Steel	20'	15	13 1/8	16 1/2	24	6 5/8	7 1/8	10 1/2	11'-4"	11'-9"	3
	10'		AL-FS-500-10-63-10	Alum	20'	36	13 1/4	23 7/8	-	12 5/8	7 1/4	16 7/8	11'-4"	12'-4 3/8"	3	4
	12'		GLCS-FS-500-10 (S or AL)-63-12	Steel	20'	15	13 1/8	16 1/2	24	6 5/8	7 1/8	10 1/2	11'-6"	13'-9"	4	4
	12'		AL-FS-500-10-63-12	Alum	20'	36	13 1/4	23 7/8	-	12 5/8	7 1/4	16 7/8	11'-6"	14'-4 3/8"	4	4
	14'		GLCS-FS-500-10 (S or AL)-63-14	Steel	20'	15	13 1/8	16 1/2	24	6 5/8	7 1/8	10 1/2	11'-6"	15'-9"	4	4
	14'		AL-FS-500-10-63-14	Alum	20'	36	13 1/4	23 7/8	-	12 5/8	7 1/4	16 7/8	11'-6"	16'-4 3/8"	4	4
	64'	10'	GLCSLX-FS-500-10 (S or AL)-64-10	Steel	30'	36	13 1/8	20 7/8	28 3/8	6 5/8	7 1/8	16 7/8	11'-4"	12'-1 3/8"	3	3
		12'	GLCSLX-FS-500-10 (S or AL)-64-12	Steel	30'	36	13 1/8	20 7/8	28 3/8	6 5/8	7 1/8	16 7/8	11'-6"	14'-1 3/8"	4	3
		14'	GLCSLX-FS-500-10 (S or AL)-64-14	Steel	30'	36	13 1/8	20 7/8	28 3/8	6 5/8	7 1/8	16 7/8	11'-6"	16'-1 3/8"	4	3
	78'	10'	GLCSL-FS-500-10 (S or AL)-78-10	Steel	25'	46	13 1/8	18 7/8	26 3/8	6 5/8	7 1/8	16 7/8	11'-4"	11'-11 3/8"	3	4
		12'	GLCSL-FS-500-10 (S or AL)-78-12	Steel	25'	46	13 1/8	18 7/8	26 3/8	6 5/8	7 1/8	16 7/8	11'-6"	13'-11 3/8"	4	4
		14'	GLCSL-FS-500-10 (S or AL)-78-14	Steel	25'	46	13 1/8	18 7/8	26 3/8	6 5/8	7 1/8	16 7/8	11'-6"	15'-11 3/8"	4	4
	83'	10'	GLCS-FS-500-10 (S or AL)-83-10	Steel	20'	46	13 1/8	16 1/2	24	6 5/8	7 1/8	16 7/8	11'-4"	11'-9"	3	5
		10'	AL-FS-500-10-83-10	Alum	20'	46	13 1/4	23 7/8	-	12 5/8	7 1/4	16 7/8	11'-4"	12'-4 3/8"	3	5
		12'	GLCS-FS-500-10 (S or AL)-83-12	Steel	20'	46	13 1/8	16 1/2	24	6 5/8	7 1/8	16 7/8	11'-6"	13'-9"	4	5
		12'	AL-FS-500-10-83-12	Alum	20'	46	13 1/4	23 7/8	-	12 5/8	7 1/4	16 7/8	11'-6"	14'-4 3/8"	4	5
		14'	GLCS-FS-500-10 (S or AL)-83-14	Steel	20'	46	13 1/8	16 1/2	24	6 5/8	7 1/8	16 7/8	11'-6"	15'-9"	4	5
		14'	AL-FS-500-10-83-14	Alum	20'	46	13 1/4	23 7/8	-	12 5/8	7 1/4	16 7/8	11'-6"	16'-4 3/8"	4	5
	94'	10'	GLCSLX-FS-500-10 (S or AL)-94-10	Steel	30'	53	13 1/8	20 7/8	28 3/8	6 5/8	7 1/8	16 7/8	11'-4"	12'-1 3/8"	3	4
		12'	GLCSLX-FS-500-10 (S or AL)-94-12	Steel	30'	53	13 1/8	20 7/8	28 3/8	6 5/8	7 1/8	16 7/8	11'-6"	14'-1 3/8"	4	4
		14'	GLCSLX-FS-500-10 (S or AL)-94-14	Steel	30'	53	13 1/8	20 7/8	28 3/8	6 5/8	7 1/8	16 7/8	11'-6"	16'-1 3/8"	4	4
	103'	10'	GLCS-FS-500-10 (S or AL)-103-10	Steel	20'	54	13 1/8	16 1/2	24	6 5/8	7 1/8	16 7/8	11'-4"	11'-9"	3	6
		10'	AL-FS-500-10-103-10	Alum	20'	54	13 1/4	23 7/8	-	12 5/8	7 1/4	16 7/8	11'-4"	12'-4 3/8"	3	6
		10'	GLCSL-FS-500-10 (S or AL)-103-10	Steel	25'	54	13 1/8	18 7/8	26 3/8	6 5/8	7 1/8	16 7/8	11'-4"	11'-11 3/8"	3	5
		12'	GLCS-FS-500-10 (S or AL)-103-12	Steel	20'	54	13 1/8	16 1/2	24	6 5/8	7 1/8	16 7/8	11'-6"	13'-9"	4	6
		12'	AL-FS-500-10-103-12	Alum	20'	54	13 1/4	23 7/8	-	12 5/8	7 1/4	16 7/8	11'-6"	14'-4 3/8"	4	6
		12'	GLCSL-FS-500-10 (S or AL)-103-12	Steel	25'	54	13 1/8	18 7/8	26 3/8	6 5/8	7 1/8	16 7/8	11'-6"	13'-11 3/8"	4	5
		14'	GLCS-FS-500-10 (S or AL)-103-14	Steel	20'	54	13 1/8	16 1/2	24	6 5/8	7 1/8	16 7/8	11'-6"	15'-9"	4	6
	14'	AL-FS-500-10-103-14	Alum	20'	54	13 1/4	23 7/8	-	12 5/8	7 1/4	16 7/8	11'-6"	16'-4 3/8"	4	6	
	124'	10'	GLCSLX-FS-500-10 (S or AL)-124-10	Steel	30'	54	13 1/8	20 7/8	28 3/8	6 5/8	7 1/8	16 7/8	11'-4"	12'-1 3/8"	3	5
		12'	GLCSLX-FS-500-10 (S or AL)-124-12	Steel	30'	54	13 1/8	20 7/8	28 3/8	6 5/8	7 1/8	16 7/8	11'-6"	14'-1 3/8"	4	5
		14'	GLCSLX-FS-500-10 (S or AL)-124-14	Steel	30'	54	13 1/8	20 7/8	28 3/8	6 5/8	7 1/8	16 7/8	11'-6"	16'-1 3/8"	4	5

*This column provides the total number of support assemblies based on the "L1" dimensions shown. Support assemblies are designed to AISC specifications and do not require bracing. If no movement of the support assembly is preferred, then bracing to the building steel is recommended (not included).

To Determine Hook Coverage: [Bridge Travel on Runway = Runway Length - (2xL8)] by [Hoist Trolley Travel on Bridge = Bridge Length - L3 - L6] (L6 allows for festoon stack-up).

Gorbel® Free Standing Work Station Bridge Crane Kits include: bridge, runways, the appropriate number of support assemblies, hoist trolley, end trucks, end stops, flat wire festooning, festoon gliders (festoon trolleys on steel runway lengths greater than 63' and all aluminum systems), festoon stack-up section, splice joints and hanger brackets. Hoist and anchor bolts provided by others.

Dimensions are for reference only and are subject to change without notice.

FREE STANDING WORK STATION BRIDGE CRANES

FREE STANDING WORK STATION CRANES

BRIDGE LENGTH (L)	RUNWAY LENGTH	TS	MODEL NUMBER	TRACK MAT.	RUNWAY			BRIDGE				SUPPORT STRUCTURE				
					MAX. L1	L7 in	L8 in	H3 in	H3A in	H4 in	L3 in	L6 in	OAW	OAH	D in	Spt*
15'	23'	10'	GLCS-FS-500-15 (S or AL)-23-10	Steel	20'	9	13 1/8	16 1/2	24	12 3/4	7 1/8	21 3/4	16'-4"	11'-9"	3	2
		10'	AL-FS-500-15-23-10	Alum	20'	13	13 1/4	23 7/8	-	12 5/8	7 1/4	23 5/8	16'-4"	12'-4 3/8"	3	2
	12'	GLCS-FS-500-15 (S or AL)-23-12	Steel	20'	9	13 1/8	16 1/2	24	12 3/4	7 1/8	21 3/4	16'-6"	13'-9"	4	2	
	12'	AL-FS-500-15-23-12	Alum	20'	13	13 1/4	23 7/8	-	12 5/8	7 1/4	23 5/8	16'-6"	14'-4 3/8"	4	2	
	14'	GLCS-FS-500-15 (S or AL)-23-14	Steel	20'	9	13 1/8	16 1/2	24	12 3/4	7 1/8	21 3/4	16'-6"	15'-9"	4	2	
	14'	AL-FS-500-15-23-14	Alum	20'	13	13 1/4	23 7/8	-	12 5/8	7 1/4	23 5/8	16'-6"	16'-4 3/8"	4	2	
	28'	10'	GLCSL-FS-500-15 (S or AL)-28-10	Steel	25'	9	13 1/8	18 7/8	26 3/8	12 3/4	7 1/8	21 3/4	16'-4"	11'-11 3/8"	3	2
	12'	GLCSL-FS-500-15 (S or AL)-28-12	Steel	25'	9	13 1/8	18 7/8	26 3/8	12 3/4	7 1/8	21 3/4	16'-6"	13'-11 3/8"	4	2	
	14'	GLCSL-FS-500-15 (S or AL)-28-14	Steel	25'	9	13 1/8	18 7/8	26 3/8	12 3/4	7 1/8	21 3/4	16'-6"	15'-11 3/8"	4	2	
	33'	10'	GLCS-FS-500-15 (S or AL)-33-10	Steel	20'	9	13 1/8	16 1/2	24	12 3/4	7 1/8	21 3/4	16'-4"	11'-9"	3	3
10'	AL-FS-500-15-33-10	Alum	20'	19	13 1/4	23 7/8	-	12 5/8	7 1/4	23 5/8	16'-4"	12'-4 3/8"	3	3		
12'	GLCS-FS-500-15 (S or AL)-33-12	Steel	20'	9	13 1/8	16 1/2	24	12 3/4	7 1/8	21 3/4	16'-6"	13'-9"	4	3		
12'	AL-FS-500-15-33-12	Alum	20'	19	13 1/4	23 7/8	-	12 5/8	7 1/4	23 5/8	16'-6"	14'-4 3/8"	4	3		
14'	GLCS-FS-500-15 (S or AL)-33-14	Steel	20'	9	13 1/8	16 1/2	24	12 3/4	7 1/8	21 3/4	16'-6"	15'-9"	4	3		
14'	AL-FS-500-15-33-14	Alum	20'	19	13 1/4	23 7/8	-	12 5/8	7 1/4	23 5/8	16'-6"	16'-4 3/8"	4	3		
34'	10'	GLCSLX-FS-500-15 (S or AL)-34-10	Steel	30'	9	13 1/8	20 7/8	28 3/8	12 3/4	7 1/8	21 3/4	16'-4"	12'-1 3/8"	3	2	
12'	GLCSLX-FS-500-15 (S or AL)-34-12	Steel	30'	9	13 1/8	20 7/8	28 3/8	12 3/4	7 1/8	21 3/4	16'-6"	14'-1 3/8"	4	2		
14'	GLCSLX-FS-500-15 (S or AL)-34-14	Steel	30'	9	13 1/8	20 7/8	28 3/8	12 3/4	7 1/8	21 3/4	16'-6"	16'-1 3/8"	4	2		
43'	10'	GLCS-FS-500-15 (S or AL)-43-10	Steel	20'	13	13 1/8	16 1/2	24	12 3/4	7 1/8	21 3/4	16'-4"	11'-9"	3	3	
10'	AL-FS-500-15-43-10	Alum	20'	26	13 1/4	23 7/8	-	12 5/8	7 1/4	23 5/8	16'-4"	12'-4 3/8"	3	3		
12'	GLCS-FS-500-15 (S or AL)-43-12	Steel	20'	13	13 1/8	16 1/2	24	12 3/4	7 1/8	21 3/4	16'-6"	13'-9"	4	3		
12'	AL-FS-500-15-43-12	Alum	20'	26	13 1/4	23 7/8	-	12 5/8	7 1/4	23 5/8	16'-6"	14'-4 3/8"	4	3		
14'	GLCS-FS-500-15 (S or AL)-43-14	Steel	20'	13	13 1/8	16 1/2	24	12 3/4	7 1/8	21 3/4	16'-6"	15'-9"	4	3		
14'	AL-FS-500-15-43-14	Alum	20'	26	13 1/4	23 7/8	-	12 5/8	7 1/4	23 5/8	16'-6"	16'-4 3/8"	4	3		
53'	10'	GLCS-FS-500-15 (S or AL)-53-10	Steel	20'	13	13 1/8	16 1/2	24	12 3/4	7 1/8	21 3/4	16'-4"	11'-9"	3	4	
10'	AL-FS-500-15-53-10	Alum	20'	30	13 1/4	23 7/8	-	12 5/8	7 1/4	23 5/8	16'-4"	12'-4 3/8"	3	4		
10'	GLCSL-FS-500-15 (S or AL)-53-10	Steel	25'	13	13 1/8	18 7/8	26 3/8	12 3/4	7 1/8	21 3/4	16'-4"	11'-11 3/8"	3	3		
12'	GLCS-FS-500-15 (S or AL)-53-12	Steel	20'	13	13 1/8	16 1/2	24	12 3/4	7 1/8	21 3/4	16'-6"	13'-9"	4	4		
12'	AL-FS-500-15-53-12	Alum	20'	30	13 1/4	23 7/8	-	12 5/8	7 1/4	23 5/8	16'-6"	14'-4 3/8"	4	4		
12'	GLCSL-FS-500-15 (S or AL)-53-12	Steel	25'	13	13 1/8	18 7/8	26 3/8	12 3/4	7 1/8	21 3/4	16'-6"	13'-11 3/8"	4	3		
14'	GLCS-FS-500-15 (S or AL)-53-14	Steel	20'	13	13 1/8	16 1/2	24	12 3/4	7 1/8	21 3/4	16'-6"	15'-9"	4	4		
14'	AL-FS-500-15-53-14	Alum	20'	30	13 1/4	23 7/8	-	12 5/8	7 1/4	23 5/8	16'-6"	16'-4 3/8"	4	4		
14'	GLCSL-FS-500-15 (S or AL)-53-14	Steel	25'	13	13 1/8	18 7/8	26 3/8	12 3/4	7 1/8	21 3/4	16'-6"	15'-11 3/8"	4	3		
63'	10'	GLCS-FS-500-15 (S or AL)-63-10	Steel	20'	19	13 1/8	16 1/2	24	12 3/4	7 1/8	21 3/4	16'-4"	11'-9"	3	4	
10'	AL-FS-500-15-63-10	Alum	20'	36	13 1/4	23 7/8	-	12 5/8	7 1/4	23 5/8	16'-4"	12'-4 3/8"	3	4		
12'	GLCS-FS-500-15 (S or AL)-63-12	Steel	20'	19	13 1/8	16 1/2	24	12 3/4	7 1/8	21 3/4	16'-6"	13'-9"	4	4		
12'	AL-FS-500-15-63-12	Alum	20'	36	13 1/4	23 7/8	-	12 5/8	7 1/4	23 5/8	16'-6"	14'-4 3/8"	4	4		
14'	GLCS-FS-500-15 (S or AL)-63-14	Steel	20'	19	13 1/8	16 1/2	24	12 3/4	7 1/8	21 3/4	16'-6"	15'-9"	4	4		
14'	AL-FS-500-15-63-14	Alum	20'	36	13 1/4	23 7/8	-	12 5/8	7 1/4	23 5/8	16'-6"	16'-4 3/8"	4	4		
64'	10'	GLCSLX-FS-500-15 (S or AL)-64-10	Steel	30'	36	13 1/8	20 7/8	28 3/8	12 3/4	7 1/8	23 5/8	16'-4"	12'-1 3/8"	3	3	
12'	GLCSLX-FS-500-15 (S or AL)-64-12	Steel	30'	36	13 1/8	20 7/8	28 3/8	12 3/4	7 1/8	23 5/8	16'-6"	14'-1 3/8"	4	3		
14'	GLCSLX-FS-500-15 (S or AL)-64-14	Steel	30'	36	13 1/8	20 7/8	28 3/8	12 3/4	7 1/8	23 5/8	16'-6"	16'-1 3/8"	4	3		
78'	10'	GLCSL-FS-500-15 (S or AL)-78-10	Steel	25'	46	13 1/8	18 7/8	26 3/8	12 3/4	7 1/8	23 5/8	16'-4"	11'-11 3/8"	3	4	
12'	GLCSL-FS-500-15 (S or AL)-78-12	Steel	25'	46	13 1/8	18 7/8	26 3/8	12 3/4	7 1/8	23 5/8	16'-6"	13'-11 3/8"	4	4		
14'	GLCSL-FS-500-15 (S or AL)-78-14	Steel	25'	46	13 1/8	18 7/8	26 3/8	12 3/4	7 1/8	23 5/8	16'-6"	15'-11 3/8"	4	4		
83'	10'	GLCS-FS-500-15 (S or AL)-83-10	Steel	20'	46	13 1/8	16 1/2	24	12 3/4	7 1/8	23 5/8	16'-4"	11'-9"	3	5	
10'	AL-FS-500-15-83-10	Alum	20'	46	13 1/4	23 7/8	-	12 5/8	7 1/4	23 5/8	16'-4"	12'-4 3/8"	3	5		
12'	GLCS-FS-500-15 (S or AL)-83-12	Steel	20'	46	13 1/8	16 1/2	24	12 3/4	7 1/8	23 5/8	16'-6"	13'-9"	4	5		
12'	AL-FS-500-15-83-12	Alum	20'	46	13 1/4	23 7/8	-	12 5/8	7 1/4	23 5/8	16'-6"	14'-4 3/8"	4	5		
14'	GLCS-FS-500-15 (S or AL)-83-14	Steel	20'	46	13 1/8	16 1/2	24	12 3/4	7 1/8	23 5/8	16'-6"	15'-9"	4	5		
14'	AL-FS-500-15-83-14	Alum	20'	46	13 1/4	23 7/8	-	12 5/8	7 1/4	23 5/8	16'-6"	16'-4 3/8"	4	5		
94'	10'	GLCSLX-FS-500-15 (S or AL)-94-10	Steel	30'	54	13 1/8	20 7/8	28 3/8	12 3/4	7 1/8	23 5/8	16'-4"	12'-1 3/8"	3	4	
12'	GLCSLX-FS-500-15 (S or AL)-94-12	Steel	30'	54	13 1/8	20 7/8	28 3/8	12 3/4	7 1/8	23 5/8	16'-6"	14'-1 3/8"	4	4		
14'	GLCSLX-FS-500-15 (S or AL)-94-14	Steel	30'	54	13 1/8	20 7/8	28 3/8	12 3/4	7 1/8	23 5/8	16'-6"	16'-1 3/8"	4	4		
103'	10'	GLCS-FS-500-15 (S or AL)-103-10	Steel	20'	54	13 1/8	16 1/2	24	12 3/4	7 1/8	23 5/8	16'-4"	11'-9"	3	6	
10'	AL-FS-500-15-103-10	Alum	20'	54	13 1/4	23 7/8	-	12 5/8	7 1/4	23 5/8	16'-4"	12'-4 3/8"	3	6		
10'	GLCSL-FS-500-15 (S or AL)-103-10	Steel	25'	54	13 1/8	18 7/8	26 3/8	12 3/4	7 1/8	23 5/8	16'-4"	11'-11 3/8"	3	5		
12'	GLCS-FS-500-15 (S or AL)-103-12	Steel	20'	54	13 1/8	16 1/2	24	12 3/4	7 1/8	23 5/8	16'-6"	13'-9"	4	6		
12'	AL-FS-500-15-103-12	Alum	20'	54	13 1/4	23 7/8	-	12 5/8	7 1/4	23 5/8	16'-6"	14'-4 3/8"	4	6		
12'	GLCSL-FS-500-15 (S or AL)-103-12	Steel	25'	54	13 1/8	18 7/8	26 3/8	12 3/4	7 1/8	23 5/8	16'-6"	13'-11 3/8"	4	5		
14'	GLCS-FS-500-15 (S or AL)-103-14	Steel	20'	54	13 1/8	16 1/2	24	12 3/4	7 1/8	23 5/8	16'-6"	15'-9"	4	6		
14'	AL-FS-500-15-103-14	Alum	20'	54	13 1/4	23 7/8	-	12 5/8	7 1/4	23 5/8	16'-6"	16'-4 3/8"	4	6		
14'	GLCSL-FS-500-15 (S or AL)-103-14	Steel	25'	54	13 1/8	18 7/8	26 3/8	12 3/4	7 1/8	23 5/8	16'-6"	15'-11 3/8"	4	5		
124'	10'	GLCSLX-FS-500-15 (S or AL)-124-10	Steel	30'	54	13 1/8	20 7/8	28 3/8	12 3/4	7 1/8	23 5/8	16'-4"	12'-1 3/8"	3	5	
12'	GLCSLX-FS-500-15 (S or AL)-124-12	Steel	30'	54	13 1/8	20 7/8	28 3/8	12 3/4	7 1/8	23 5/8	16'-6"	14'-1 3/8"	4	5		
14'	GLCSLX-FS-500-15 (S or AL)-124-14	Steel	30'	54	13 1/8	20 7/8	28 3/8	12 3/4	7 1/8	23 5/8	16'-6"	16'-1 3/8"	4	5		

*This column provides the total number of support assemblies based on the "L1" dimensions shown. Support assemblies are designed to AISC specifications and do not require bracing. If no movement of the support assembly is preferred, then bracing to the building steel is recommended (not included).

To Determine Hook Coverage: [Bridge Travel on Runway = Runway Length - (2xL8)] by [Hoist Trolley Travel on Bridge = Bridge Length - L3 - L6] (L6 allows for festoon stack-up).

Corbel® Free Standing Work Station Bridge Crane Kits include: bridge, runways, the appropriate number of support assemblies, hoist trolley, end trucks, end stops, flat wire festooning, festoon gliders (festoon trolleys on steel runway lengths greater than 63' and all aluminum systems), festoon stack-up section, splice joints and hanger brackets. Hoist and anchor bolts provided by others.

Dimensions are for reference only and are subject to change without notice.

500# CAPACITY

FREE STANDING WORK STATION CRANES

FREE STANDING WORK STATION BRIDGE CRANES

BRIDGE LENGTH (L)	RUNWAY LENGTH	TS	MODEL NUMBER	TRACK MAT.	RUNWAY			BRIDGE					SUPPORT STRUCTURE			
					MAX. L1	L7 in	L8 in	H3 in	H3A in	H4 in	L3 in	L6 in	OAW	OAH	D in	*LdS
20'	23'	10'	GLCS-FS-500-20 (S or AL)-23-10	Steel	20'	9	13 1/8	16 1/2	24	12 3/4	7 1/8	21 3/4	21'-4"	11'-9"	3	2
		10'	AL-FS-500-20-23-10	Alum	20'	13	13 1/4	23 7/8	-	12 5/8	7 1/4	27	21'-4"	12'-4 3/8"	3	2
		12'	GLCS-FS-500-20 (S or AL)-23-12	Steel	20'	9	13 1/8	16 1/2	24	12 3/4	7 1/8	21 3/4	21'-6"	13'-9"	4	2
		12'	AL-FS-500-20-23-12	Alum	20'	13	13 1/4	23 7/8	-	12 5/8	7 1/4	27	21'-6"	14'-4 3/8"	4	2
		14'	GLCS-FS-500-20 (S or AL)-23-14	Steel	20'	9	13 1/8	16 1/2	24	12 3/4	7 1/8	21 3/4	21'-6"	15'-9"	4	2
		14'	AL-FS-500-20-23-14	Alum	20'	13	13 1/4	23 7/8	-	12 5/8	7 1/4	27	21'-6"	16'-4 3/8"	4	2
	28'	10'	GLCSL-FS-500-20 (S or AL)-28-10	Steel	25'	9	13 1/8	18 7/8	26 3/8	12 3/4	7 1/8	21 3/4	21'-4"	11'-11 3/8"	3	2
		12'	GLCSL-FS-500-20 (S or AL)-28-12	Steel	25'	9	13 1/8	18 7/8	26 3/8	12 3/4	7 1/8	21 3/4	21'-6"	13'-11 3/8"	4	2
		14'	GLCSL-FS-500-20 (S or AL)-28-14	Steel	25'	9	13 1/8	18 7/8	26 3/8	12 3/4	7 1/8	21 3/4	21'-6"	15'-11 3/8"	4	2
	33'	10'	GLCS-FS-500-20 (S or AL)-33-10	Steel	20'	9	13 1/8	16 1/2	24	12 3/4	7 1/8	21 3/4	21'-4"	11'-9"	3	3
		10'	AL-FS-500-20-33-10	Alum	20'	19	13 1/4	23 7/8	-	12 5/8	7 1/4	27	21'-4"	12'-4 3/8"	3	3
		12'	GLCS-FS-500-20 (S or AL)-33-12	Steel	20'	9	13 1/8	16 1/2	24	12 3/4	7 1/8	21 3/4	21'-6"	13'-9"	4	3
		12'	AL-FS-500-20-33-12	Alum	20'	19	13 1/4	23 7/8	-	12 5/8	7 1/4	27	21'-6"	14'-4 3/8"	4	3
		14'	GLCS-FS-500-20 (S or AL)-33-14	Steel	20'	9	13 1/8	16 1/2	24	12 3/4	7 1/8	21 3/4	21'-6"	15'-9"	4	3
		14'	AL-FS-500-20-33-14	Alum	20'	19	13 1/4	23 7/8	-	12 5/8	7 1/4	27	21'-6"	16'-4 3/8"	4	3
	34'	10'	GLCSLX-FS-500-20 (S or AL)-34-10	Steel	30'	9	13 1/8	20 7/8	28 3/8	12 3/4	7 1/8	21 3/4	21'-4"	12'-1 3/8"	3	2
		12'	GLCSLX-FS-500-20 (S or AL)-34-12	Steel	30'	9	13 1/8	20 7/8	28 3/8	12 3/4	7 1/8	21 3/4	21'-6"	14'-1 3/8"	4	2
		14'	GLCSLX-FS-500-20 (S or AL)-34-14	Steel	30'	9	13 1/8	20 7/8	28 3/8	12 3/4	7 1/8	21 3/4	21'-6"	16'-1 3/8"	4	2
	43'	10'	GLCS-FS-500-20 (S or AL)-43-10	Steel	20'	13	13 1/8	16 1/2	24	12 3/4	7 1/8	21 3/4	21'-4"	11'-9"	3	3
		10'	AL-FS-500-20-43-10	Alum	20'	26	13 1/4	23 7/8	-	12 5/8	7 1/4	27	21'-4"	12'-4 3/8"	3	3
		12'	GLCS-FS-500-20 (S or AL)-43-12	Steel	20'	13	13 1/8	16 1/2	24	12 3/4	7 1/8	21 3/4	21'-6"	13'-9"	4	3
		12'	AL-FS-500-20-43-12	Alum	20'	26	13 1/4	23 7/8	-	12 5/8	7 1/4	27	21'-6"	14'-4 3/8"	4	3
		14'	GLCS-FS-500-20 (S or AL)-43-14	Steel	20'	13	13 1/8	16 1/2	24	12 3/4	7 1/8	21 3/4	21'-6"	15'-9"	4	3
		14'	AL-FS-500-20-43-14	Alum	20'	26	13 1/4	23 7/8	-	12 5/8	7 1/4	27	21'-6"	16'-4 3/8"	4	3
	53'	10'	GLCS-FS-500-20 (S or AL)-53-10	Steel	20'	13	13 1/8	16 1/2	24	12 3/4	7 1/8	21 3/4	21'-4"	11'-9"	3	4
		10'	AL-FS-500-20-53-10	Alum	20'	30	13 1/4	23 7/8	-	12 5/8	7 1/4	27	21'-4"	12'-4 3/8"	3	4
		10'	GLCSL-FS-500-20 (S or AL)-53-10	Steel	25'	13	13 1/8	18 7/8	26 3/8	12 3/4	7 1/8	21 3/4	21'-4"	11'-11 3/8"	3	3
		12'	GLCS-FS-500-20 (S or AL)-53-12	Steel	20'	13	13 1/8	16 1/2	24	12 3/4	7 1/8	21 3/4	21'-6"	13'-9"	4	4
		12'	AL-FS-500-20-53-12	Alum	20'	30	13 1/4	23 7/8	-	12 5/8	7 1/4	27	21'-6"	14'-4 3/8"	4	4
		12'	GLCSL-FS-500-20 (S or AL)-53-12	Steel	25'	13	13 1/8	18 7/8	26 3/8	12 3/4	7 1/8	21 3/4	21'-6"	13'-11 3/8"	4	3
		14'	GLCS-FS-500-20 (S or AL)-53-14	Steel	20'	13	13 1/8	16 1/2	24	12 3/4	7 1/8	21 3/4	21'-6"	15'-9"	4	4
		14'	AL-FS-500-20-53-14	Alum	20'	30	13 1/4	23 7/8	-	12 5/8	7 1/4	27	21'-6"	16'-4 3/8"	4	4
		14'	GLCSL-FS-500-20 (S or AL)-53-14	Steel	25'	13	13 1/8	18 7/8	26 3/8	12 3/4	7 1/8	21 3/4	21'-6"	15'-11 3/8"	4	3
		63'	10'	GLCS-FS-500-20 (S or AL)-63-10	Steel	20'	19	13 1/8	16 1/2	24	12 3/4	7 1/8	21 3/4	21'-4"	11'-9"	3
	10'		AL-FS-500-20-63-10	Alum	20'	36	13 1/4	23 7/8	-	12 5/8	7 1/4	27	21'-4"	12'-4 3/8"	3	4
	12'		GLCS-FS-500-20 (S or AL)-63-12	Steel	20'	19	13 1/8	16 1/2	24	12 3/4	7 1/8	21 3/4	21'-6"	13'-9"	4	4
	12'		AL-FS-500-20-63-12	Alum	20'	36	13 1/4	23 7/8	-	12 5/8	7 1/4	27	21'-6"	14'-4 3/8"	4	4
	14'		GLCS-FS-500-20 (S or AL)-63-14	Steel	20'	19	13 1/8	16 1/2	24	12 3/4	7 1/8	21 3/4	21'-6"	15'-9"	4	4
	14'		AL-FS-500-20-63-14	Alum	20'	36	13 1/4	23 7/8	-	12 5/8	7 1/4	27	21'-6"	16'-4 3/8"	4	4
	64'	10'	GLCSLX-FS-500-20 (S or AL)-64-10	Steel	30'	36	13 1/8	20 7/8	28 3/8	12 3/4	7 1/8	27	21'-4"	12'-1 3/8"	3	3
		12'	GLCSLX-FS-500-20 (S or AL)-64-12	Steel	30'	36	13 1/8	20 7/8	28 3/8	12 3/4	7 1/8	27	21'-6"	14'-1 3/8"	4	3
		14'	GLCSLX-FS-500-20 (S or AL)-64-14	Steel	30'	36	13 1/8	20 7/8	28 3/8	12 3/4	7 1/8	27	21'-6"	16'-1 3/8"	4	3
	78'	10'	GLCSL-FS-500-20 (S or AL)-78-10	Steel	25'	46	13 1/8	18 7/8	26 3/8	12 3/4	7 1/8	27	21'-4"	11'-11 3/8"	3	4
		12'	GLCSL-FS-500-20 (S or AL)-78-12	Steel	25'	46	13 1/8	18 7/8	26 3/8	12 3/4	7 1/8	27	21'-6"	13'-11 3/8"	4	4
		14'	GLCSL-FS-500-20 (S or AL)-78-14	Steel	25'	46	13 1/8	18 7/8	26 3/8	12 3/4	7 1/8	27	21'-6"	15'-11 3/8"	4	4
	83'	10'	GLCS-FS-500-20 (S or AL)-83-10	Steel	20'	46	13 1/8	16 1/2	24	12 3/4	7 1/8	27	21'-4"	11'-9"	3	5
		10'	AL-FS-500-20-83-10	Alum	20'	46	13 1/4	23 7/8	-	12 5/8	7 1/4	27	21'-4"	12'-4 3/8"	3	5
		12'	GLCS-FS-500-20 (S or AL)-83-12	Steel	20'	46	13 1/8	16 1/2	24	12 3/4	7 1/8	27	21'-6"	13'-9"	4	5
		12'	AL-FS-500-20-83-12	Alum	20'	46	13 1/4	23 7/8	-	12 5/8	7 1/4	27	21'-6"	14'-4 3/8"	4	5
		14'	GLCS-FS-500-20 (S or AL)-83-14	Steel	20'	46	13 1/8	16 1/2	24	12 3/4	7 1/8	27	21'-6"	15'-9"	4	5
		14'	AL-FS-500-20-83-14	Alum	20'	46	13 1/4	23 7/8	-	12 5/8	7 1/4	27	21'-6"	16'-4 3/8"	4	5
	94'	10'	GLCSLX-FS-500-20 (S or AL)-94-10	Steel	30'	54	13 1/8	20 7/8	28 3/8	12 3/4	7 1/8	27	21'-4"	12'-1 3/8"	3	4
		12'	GLCSLX-FS-500-20 (S or AL)-94-12	Steel	30'	54	13 1/8	20 7/8	28 3/8	12 3/4	7 1/8	27	21'-6"	14'-1 3/8"	4	4
		14'	GLCSLX-FS-500-20 (S or AL)-94-14	Steel	30'	54	13 1/8	20 7/8	28 3/8	12 3/4	7 1/8	27	21'-6"	16'-1 3/8"	4	4
	103'	10'	GLCS-FS-500-20 (S or AL)-103-10	Steel	20'	54	13 1/8	16 1/2	24	12 3/4	7 1/8	27	21'-4"	11'-9"	3	6
		10'	AL-FS-500-20-103-10	Alum	20'	54	13 1/4	23 7/8	-	12 5/8	7 1/4	27	21'-4"	12'-4 3/8"	3	6
		10'	GLCSL-FS-500-20 (S or AL)-103-10	Steel	25'	54	13 1/8	18 7/8	26 3/8	12 3/4	7 1/8	27	21'-4"	11'-11 3/8"	3	5
		12'	GLCS-FS-500-20 (S or AL)-103-12	Steel	20'	54	13 1/8	16 1/2	24	12 3/4	7 1/8	27	21'-6"	13'-9"	4	6
		12'	AL-FS-500-20-103-12	Alum	20'	54	13 1/4	23 7/8	-	12 5/8	7 1/4	27	21'-6"	14'-4 3/8"	4	6
		12'	GLCSL-FS-500-20 (S or AL)-103-12	Steel	25'	54	13 1/8	18 7/8	26 3/8	12 3/4	7 1/8	27	21'-6"	13'-11 3/8"	4	5
		14'	GLCS-FS-500-20 (S or AL)-103-14	Steel	20'	54	13 1/8	16 1/2	24	12 3/4	7 1/8	27	21'-6"	15'-9"	4	6
		14'	AL-FS-500-20-103-14	Alum	20'	54	13 1/4	23 7/8	-	12 5/8	7 1/4	27	21'-6"	16'-4 3/8"	4	6
	124'	10'	GLCSLX-FS-500-20 (S or AL)-124-10	Steel	30'	54	13 1/8	20 7/8	28 3/8	12 3/4	7 1/8	27	21'-4"	12'-1 3/8"	3	5
		12'	GLCSLX-FS-500-20 (S or AL)-124-12	Steel	30'	54	13 1/8	20 7/8	28 3/8	12 3/4	7 1/8	27	21'-6"	14'-1 3/8"	4	5
		14'	GLCSLX-FS-500-20 (S or AL)-124-14	Steel	30'	54	13 1/8	20 7/8	28 3/8	12 3/4	7 1/8	27	21'-6"	16'-1 3/8"	4	5

*This column provides the total number of support assemblies based on the "L1" dimensions shown. Support assemblies are designed to AISC specifications and do not require bracing. If no movement of the support assembly is preferred, then bracing to the building steel is recommended (not included).

To Determine Hook Coverage: [Bridge Travel on Runway = Runway Length - (2xL8)] by [Hoist Trolley Travel on Bridge = Bridge Length - L3 - L6] (L6 allows for festoon stack-up).

Gorbel® Free Standing Work Station Bridge Crane Kits include: bridge, runways, the appropriate number of support assemblies, hoist trolley, end trucks, end stops, flat wire festooning, festoon gliders (festoon trolleys on steel runway lengths greater than 63' and all aluminum systems), festoon stack-up section, splice joints and hanger brackets. Hoist and anchor bolts provided by others.

Dimensions are for reference only and are subject to change without notice.

FREE STANDING WORK STATION BRIDGE CRANES

FREE STANDING WORK STATION CRANES

BRIDGE LENGTH (L)	RUNWAY LENGTH	TS	MODEL NUMBER	TRACK MAT.	RUNWAY			BRIDGE					SUPPORT STRUCTURE				
					MAX. L1	L7 in	L8 in	H3 in	H3A in	H4 in	L3 in	L6 in	OAW	OAH	D in	Spt*	
23'	10'	10'	GLCS-FS-500-23 (S or AL)-23-10	Steel	20'	9	13 1/8	16 1/2	24	12 3/4	7 1/8	21 3/4	24'-4"	11'-9"	3	2	
			AL-FS-500-23-23-10	Alum	20'	13	13 1/4	23 7/8	-	12 5/8	7 1/4	30 3/8	24'-4"	12'-4 3/8"	3	2	
	12'	12'	GLCS-FS-500-23 (S or AL)-23-12	Steel	20'	9	13 1/8	16 1/2	24	12 3/4	7 1/8	21 3/4	24'-6"	13'-9"	4	2	
			AL-FS-500-23-23-12	Alum	20'	13	13 1/4	23 7/8	-	12 5/8	7 1/4	30 3/8	24'-6"	14'-4 3/8"	4	2	
	14'	14'	GLCS-FS-500-23 (S or AL)-23-14	Steel	20'	9	13 1/8	16 1/2	24	12 3/4	7 1/8	21 3/4	24'-6"	15'-9"	4	2	
			AL-FS-500-23-23-14	Alum	20'	13	13 1/4	23 7/8	-	12 5/8	7 1/4	30 3/8	24'-6"	16'-4 3/8"	4	2	
	28'	10'	12'	GLCSL-FS-500-23 (S or AL)-28-10	Steel	25'	9	13 1/8	18 7/8	26 3/8	12 3/4	7 1/8	21 3/4	24'-4"	11'-11 3/8"	3	2
				GLCSL-FS-500-23 (S or AL)-28-12	Steel	25'	9	13 1/8	18 7/8	26 3/8	12 3/4	7 1/8	21 3/4	24'-6"	13'-11 3/8"	4	2
				GLCSL-FS-500-23 (S or AL)-28-14	Steel	25'	9	13 1/8	18 7/8	26 3/8	12 3/4	7 1/8	21 3/4	24'-6"	15'-11 3/8"	4	2
	33'	10'	12'	GLCS-FS-500-23 (S or AL)-33-10	Steel	20'	9	13 1/8	16 1/2	24	12 3/4	7 1/8	21 3/4	24'-4"	11'-9"	3	3
AL-FS-500-23-33-10				Alum	20'	19	13 1/4	23 7/8	-	12 5/8	7 1/4	30 3/8	24'-4"	12'-4 3/8"	3	3	
GLCS-FS-500-23 (S or AL)-33-12				Steel	20'	9	13 1/8	16 1/2	24	12 3/4	7 1/8	21 3/4	24'-6"	13'-9"	4	3	
34'	10'	12'	AL-FS-500-23-33-12	Alum	20'	19	13 1/4	23 7/8	-	12 5/8	7 1/4	30 3/8	24'-6"	14'-4 3/8"	4	3	
			GLCS-FS-500-23 (S or AL)-33-14	Steel	20'	9	13 1/8	16 1/2	24	12 3/4	7 1/8	21 3/4	24'-6"	15'-9"	4	3	
			AL-FS-500-23-33-14	Alum	20'	19	13 1/4	23 7/8	-	12 5/8	7 1/4	30 3/8	24'-6"	16'-4 3/8"	4	3	
43'	10'	12'	GLCSLX-FS-500-23 (S or AL)-43-10	Steel	30'	9	13 1/8	20 7/8	28 3/8	12 3/4	7 1/8	21 3/4	24'-4"	12'-1 3/8"	3	2	
			AL-FS-500-23-43-10	Alum	30'	9	13 1/8	20 7/8	28 3/8	12 3/4	7 1/8	21 3/4	24'-6"	14'-1 3/8"	4	2	
			GLCSLX-FS-500-23 (S or AL)-43-12	Steel	30'	9	13 1/8	20 7/8	28 3/8	12 3/4	7 1/8	21 3/4	24'-6"	16'-1 3/8"	4	2	
53'	10'	12'	GLCS-FS-500-23 (S or AL)-53-10	Steel	20'	13	13 1/8	16 1/2	24	12 3/4	7 1/8	21 3/4	24'-4"	11'-9"	3	3	
			AL-FS-500-23-53-10	Alum	20'	30	13 1/4	23 7/8	-	12 5/8	7 1/4	30 3/8	24'-4"	12'-4 3/8"	3	4	
			GLCSL-FS-500-23 (S or AL)-53-10	Steel	25'	13	13 1/8	18 7/8	26 3/8	12 3/4	7 1/8	21 3/4	24'-4"	11'-11 3/8"	3	3	
			GLCS-FS-500-23 (S or AL)-53-12	Steel	20'	13	13 1/8	16 1/2	24	12 3/4	7 1/8	21 3/4	24'-6"	13'-9"	4	4	
			AL-FS-500-23-53-12	Alum	20'	30	13 1/4	23 7/8	-	12 5/8	7 1/4	30 3/8	24'-6"	14'-4 3/8"	4	4	
			GLCSL-FS-500-23 (S or AL)-53-12	Steel	25'	13	13 1/8	18 7/8	26 3/8	12 3/4	7 1/8	21 3/4	24'-6"	13'-11 3/8"	4	3	
63'	10'	12'	GLCS-FS-500-23 (S or AL)-63-10	Steel	20'	13	13 1/8	16 1/2	24	12 3/4	7 1/8	21 3/4	24'-4"	11'-9"	3	4	
			AL-FS-500-23-63-10	Alum	20'	36	13 1/4	23 7/8	-	12 5/8	7 1/4	30 3/8	24'-4"	12'-4 3/8"	3	4	
			GLCS-FS-500-23 (S or AL)-63-12	Steel	20'	19	13 1/8	16 1/2	24	12 3/4	7 1/8	21 3/4	24'-6"	13'-9"	4	4	
			AL-FS-500-23-63-12	Alum	20'	36	13 1/4	23 7/8	-	12 5/8	7 1/4	30 3/8	24'-6"	14'-4 3/8"	4	4	
			GLCS-FS-500-23 (S or AL)-63-14	Steel	20'	19	13 1/8	16 1/2	24	12 3/4	7 1/8	21 3/4	24'-6"	15'-9"	4	4	
			AL-FS-500-23-63-14	Alum	20'	36	13 1/4	23 7/8	-	12 5/8	7 1/4	30 3/8	24'-6"	16'-4 3/8"	4	4	
64'	10'	12'	GLCSLX-FS-500-23 (S or AL)-64-10	Steel	30'	36	13 1/8	20 7/8	28 3/8	12 3/4	7 1/8	30 3/8	24'-4"	12'-1 3/8"	3	3	
			AL-FS-500-23-64-10	Alum	30'	36	13 1/8	20 7/8	28 3/8	12 3/4	7 1/8	30 3/8	24'-6"	14'-1 3/8"	4	3	
			GLCSLX-FS-500-23 (S or AL)-64-14	Steel	30'	36	13 1/8	20 7/8	28 3/8	12 3/4	7 1/8	30 3/8	24'-6"	16'-1 3/8"	4	3	
78'	10'	12'	GLCSL-FS-500-23 (S or AL)-78-10	Steel	25'	46	13 1/8	18 7/8	26 3/8	12 3/4	7 1/8	30 3/8	24'-4"	11'-11 3/8"	3	4	
			AL-FS-500-23-78-10	Alum	25'	46	13 1/8	18 7/8	26 3/8	12 3/4	7 1/8	30 3/8	24'-6"	13'-11 3/8"	4	4	
			GLCSL-FS-500-23 (S or AL)-78-14	Steel	25'	46	13 1/8	18 7/8	26 3/8	12 3/4	7 1/8	30 3/8	24'-6"	15'-11 3/8"	4	4	
83'	10'	12'	GLCS-FS-500-23 (S or AL)-83-10	Steel	20'	46	13 1/8	16 1/2	24	12 3/4	7 1/8	30 3/8	24'-4"	11'-9"	3	5	
			AL-FS-500-23-83-10	Alum	20'	46	13 1/4	23 7/8	-	12 5/8	7 1/4	30 3/8	24'-4"	12'-4 3/8"	3	5	
			GLCS-FS-500-23 (S or AL)-83-12	Steel	20'	46	13 1/8	16 1/2	24	12 3/4	7 1/8	30 3/8	24'-6"	13'-9"	4	5	
94'	10'	12'	AL-FS-500-23-83-12	Alum	20'	46	13 1/4	23 7/8	-	12 5/8	7 1/4	30 3/8	24'-6"	14'-4 3/8"	4	5	
			GLCS-FS-500-23 (S or AL)-83-14	Steel	20'	46	13 1/8	16 1/2	24	12 3/4	7 1/8	30 3/8	24'-6"	15'-9"	4	5	
			AL-FS-500-23-83-14	Alum	20'	46	13 1/4	23 7/8	-	12 5/8	7 1/4	30 3/8	24'-6"	16'-4 3/8"	4	5	
103'	10'	12'	GLCSLX-FS-500-23 (S or AL)-94-10	Steel	30'	54	13 1/8	20 7/8	28 3/8	12 3/4	7 1/8	30 3/8	24'-4"	12'-1 3/8"	3	4	
			AL-FS-500-23-103-10	Alum	30'	54	13 1/8	20 7/8	28 3/8	12 3/4	7 1/8	30 3/8	24'-6"	14'-1 3/8"	4	4	
			GLCSLX-FS-500-23 (S or AL)-94-12	Steel	30'	54	13 1/8	20 7/8	28 3/8	12 3/4	7 1/8	30 3/8	24'-6"	16'-1 3/8"	4	4	
			AL-FS-500-23-103-10	Alum	20'	54	13 1/8	16 1/2	24	12 3/4	7 1/8	30 3/8	24'-4"	11'-9"	3	6	
			GLCSL-FS-500-23 (S or AL)-103-10	Steel	25'	54	13 1/8	18 7/8	26 3/8	12 3/4	7 1/8	30 3/8	24'-4"	11'-11 3/8"	3	5	
			GLCS-FS-500-23 (S or AL)-103-12	Steel	20'	54	13 1/8	16 1/2	24	12 3/4	7 1/8	30 3/8	24'-6"	13'-9"	4	6	
			AL-FS-500-23-103-12	Alum	20'	54	13 1/4	23 7/8	-	12 5/8	7 1/4	30 3/8	24'-6"	14'-4 3/8"	4	6	
			GLCSL-FS-500-23 (S or AL)-103-12	Steel	25'	54	13 1/8	18 7/8	26 3/8	12 3/4	7 1/8	30 3/8	24'-6"	13'-11 3/8"	4	5	
			GLCS-FS-500-23 (S or AL)-103-14	Steel	20'	54	13 1/8	16 1/2	24	12 3/4	7 1/8	30 3/8	24'-6"	15'-9"	4	6	
			AL-FS-500-23-103-14	Alum	20'	54	13 1/4	23 7/8	-	12 5/8	7 1/4	30 3/8	24'-6"	16'-4 3/8"	4	6	
124'	10'	12'	GLCSLX-FS-500-23 (S or AL)-124-10	Steel	30'	54	13 1/8	20 7/8	28 3/8	12 3/4	7 1/8	30 3/8	24'-4"	12'-1 3/8"	3	5	
			AL-FS-500-23-124-10	Alum	30'	54	13 1/8	20 7/8	28 3/8	12 3/4	7 1/8	30 3/8	24'-6"	14'-1 3/8"	4	5	
			GLCSLX-FS-500-23 (S or AL)-124-14	Steel	30'	54	13 1/8	20 7/8	28 3/8	12 3/4	7 1/8	30 3/8	24'-6"	16'-1 3/8"	4	5	

*This column provides the total number of support assemblies based on the "L1" dimensions shown. Support assemblies are designed to AISC specifications and do not require bracing. If no movement of the support assembly is preferred, then bracing to the building steel is recommended (not included).

To Determine Hook Coverage: [Bridge Travel on Runway = Runway Length - (2xL8)] by [Hoist Trolley Travel on Bridge = Bridge Length - L3 - L6] (L6 allows for festoon stack-up).

Corbel® Free Standing Work Station Bridge Crane Kits include: bridge, runways, the appropriate number of support assemblies, hoist trolley, end trucks, end stops, flat wire festooning, festoon gliders (festoon trolleys on steel runway lengths greater than 63' and all aluminum systems), festoon stack-up section, splice joints and hanger brackets. Hoist and anchor bolts provided by others.

Dimensions are for reference only and are subject to change without notice.

500# CAPACITY

FREE STANDING WORK STATION CRANES

FREE STANDING WORK STATION BRIDGE CRANES

BRIDGE LENGTH (L)	RUNWAY LENGTH	TS	MODEL NUMBER	TRACK MAT.	RUNWAY			BRIDGE					SUPPORT STRUCTURE				
					MAX. L1	L7 in	L8 in	H3 in	H3A in	H4 in	L3 in	L6 in	OAW	OAH	D in	*LdS	
28'	23'	10'	GLCS-FS-500-28 (S or AL)-23-10	Steel	20'	9	23 1/4	18 3/8	22 5/8	15 1/8	7 1/8	31 1/4	29'-4"	11'-11 7/8"	3	2	
		10'	AL-FS-500-28-23-10	Alum	20'	13	23 3/8	22 5/8	-	13 1/8	7 7/8	37 1/8	29'-4"	12'-4 1/8"	3	2	
		12'	GLCS-FS-500-28 (S or AL)-23-12	Steel	20'	9	23 1/4	18 3/8	22 5/8	15 1/8	7 1/8	31 1/4	29'-6"	13'-11 7/8"	4	2	
		12'	AL-FS-500-28-23-12	Alum	20'	13	23 3/8	22 5/8	-	13 1/8	7 7/8	37 1/8	29'-6"	14'-4 1/8"	4	2	
		14'	GLCS-FS-500-28 (S or AL)-23-14	Steel	20'	9	23 1/4	18 3/8	22 5/8	15 1/8	7 1/8	31 1/4	29'-6"	15'-11 7/8"	4	2	
		14'	AL-FS-500-28-23-14	Alum	20'	13	23 3/8	22 5/8	-	13 1/8	7 7/8	37 1/8	29'-6"	16'-4 1/8"	4	2	
	28'	28'	10'	GLCSL-FS-500-28 (S or AL)-28-10	Steel	25'	9	23 1/4	20 3/4	25	15 1/8	7 1/8	31 1/4	29'-4"	12'-2 1/4"	3	2
			12'	GLCSL-FS-500-28 (S or AL)-28-12	Steel	25'	9	23 1/4	20 3/4	25	15 1/8	7 1/8	31 1/4	29'-6"	14'-2 1/4"	4	2
			14'	GLCSL-FS-500-28 (S or AL)-28-14	Steel	25'	9	23 1/4	20 3/4	25	15 1/8	7 1/8	31 1/4	29'-6"	16'-2 1/4"	4	2
	33'	33'	10'	GLCS-FS-500-28 (S or AL)-33-10	Steel	20'	9	23 1/4	18 3/8	22 5/8	15 1/8	7 1/8	31 1/4	29'-4"	11'-11 7/8"	3	3
			10'	AL-FS-500-28-33-10	Alum	20'	19	23 3/8	22 5/8	-	13 1/8	7 7/8	37 1/8	29'-4"	12'-4 1/8"	3	3
			12'	GLCS-FS-500-28 (S or AL)-33-12	Steel	20'	9	23 1/4	18 3/8	22 5/8	15 1/8	7 1/8	31 1/4	29'-6"	13'-11 7/8"	4	3
			12'	AL-FS-500-28-33-12	Alum	20'	19	23 3/8	22 5/8	-	13 1/8	7 7/8	37 1/8	29'-6"	14'-4 1/8"	4	3
			14'	GLCS-FS-500-28 (S or AL)-33-14	Steel	20'	9	23 1/4	18 3/8	22 5/8	15 1/8	7 1/8	31 1/4	29'-6"	15'-11 7/8"	4	3
			14'	AL-FS-500-28-33-14	Alum	20'	19	23 3/8	22 5/8	-	13 1/8	7 7/8	37 1/8	29'-6"	16'-4 1/8"	4	3
	34'	34'	10'	GLCSLX-FS-500-28 (S or AL)-34-10	Steel	30'	9	23 1/4	22 3/4	27	15 1/8	7 1/8	31 1/4	29'-4"	12'-4 1/4"	3	2
			12'	GLCSLX-FS-500-28 (S or AL)-34-12	Steel	30'	9	23 1/4	22 3/4	27	15 1/8	7 1/8	31 1/4	29'-6"	14'-4 1/4"	4	2
			14'	GLCSLX-FS-500-28 (S or AL)-34-14	Steel	30'	9	23 1/4	22 3/4	27	15 1/8	7 1/8	31 1/4	29'-6"	16'-4 1/4"	4	2
	43'	43'	10'	GLCS-FS-500-28 (S or AL)-43-10	Steel	20'	13	23 1/4	18 3/8	22 5/8	15 1/8	7 1/8	31 1/4	29'-4"	11'-11 7/8"	3	3
			10'	AL-FS-500-28-43-10	Alum	20'	26	23 3/8	22 5/8	-	13 1/8	7 7/8	37 1/8	29'-4"	12'-4 1/8"	3	3
			12'	GLCS-FS-500-28 (S or AL)-43-12	Steel	20'	13	23 1/4	18 3/8	22 5/8	15 1/8	7 1/8	31 1/4	29'-6"	13'-11 7/8"	4	3
			12'	AL-FS-500-28-43-12	Alum	20'	26	23 3/8	22 5/8	-	13 1/8	7 7/8	37 1/8	29'-6"	14'-4 1/8"	4	3
			14'	GLCS-FS-500-28 (S or AL)-43-14	Steel	20'	13	23 1/4	18 3/8	22 5/8	15 1/8	7 1/8	31 1/4	29'-6"	15'-11 7/8"	4	3
			14'	AL-FS-500-28-43-14	Alum	20'	26	23 3/8	22 5/8	-	13 1/8	7 7/8	37 1/8	29'-6"	16'-4 1/8"	4	3
	53'	53'	10'	GLCS-FS-500-28 (S or AL)-53-10	Steel	20'	13	23 1/4	18 3/8	22 5/8	15 1/8	7 1/8	31 1/4	29'-4"	11'-11 7/8"	3	4
			10'	AL-FS-500-28-53-10	Alum	20'	30	23 3/8	22 5/8	-	13 1/8	7 7/8	37 1/8	29'-4"	12'-4 1/8"	3	4
			10'	GLCSL-FS-500-28 (S or AL)-53-10	Steel	25'	13	23 1/4	20 3/4	25	15 1/8	7 1/8	31 1/4	29'-4"	12'-2 1/4"	3	3
			12'	GLCS-FS-500-28 (S or AL)-53-12	Steel	20'	13	23 1/4	18 3/8	22 5/8	15 1/8	7 1/8	31 1/4	29'-6"	13'-11 7/8"	4	4
			12'	AL-FS-500-28-53-12	Alum	20'	30	23 3/8	22 5/8	-	13 1/8	7 7/8	37 1/8	29'-6"	14'-4 1/8"	4	4
			12'	GLCSL-FS-500-28 (S or AL)-53-12	Steel	25'	13	23 1/4	20 3/4	25	15 1/8	7 1/8	31 1/4	29'-6"	14'-2 1/4"	4	3
			14'	GLCS-FS-500-28 (S or AL)-53-14	Steel	20'	13	23 1/4	18 3/8	22 5/8	15 1/8	7 1/8	31 1/4	29'-6"	15'-11 7/8"	4	4
			14'	AL-FS-500-28-53-14	Alum	20'	30	23 3/8	22 5/8	-	13 1/8	7 7/8	37 1/8	29'-6"	16'-4 1/8"	4	4
			14'	GLCSL-FS-500-28 (S or AL)-53-14	Steel	25'	13	23 1/4	20 3/4	25	15 1/8	7 1/8	31 1/4	29'-6"	16'-2 1/4"	4	3
			63'	63'	10'	GLCS-FS-500-28 (S or AL)-63-10	Steel	20'	19	23 1/4	18 3/8	22 5/8	15 1/8	7 1/8	31 1/4	29'-4"	11'-11 7/8"
	10'	AL-FS-500-28-63-10			Alum	20'	36	23 3/8	22 5/8	-	13 1/8	7 7/8	37 1/8	29'-4"	12'-4 1/8"	3	4
	12'	GLCS-FS-500-28 (S or AL)-63-12			Steel	20'	19	23 1/4	18 3/8	22 5/8	15 1/8	7 1/8	31 1/4	29'-6"	13'-11 7/8"	4	4
	12'	AL-FS-500-28-63-12			Alum	20'	36	23 3/8	22 5/8	-	13 1/8	7 7/8	37 1/8	29'-6"	14'-4 1/8"	4	4
	14'	GLCS-FS-500-28 (S or AL)-63-14			Steel	20'	19	23 1/4	18 3/8	22 5/8	15 1/8	7 1/8	31 1/4	29'-6"	15'-11 7/8"	4	4
	14'	AL-FS-500-28-63-14			Alum	20'	36	23 3/8	22 5/8	-	13 1/8	7 7/8	37 1/8	29'-6"	16'-4 1/8"	4	4
	64'	64'	10'	GLCSLX-FS-500-28 (S or AL)-64-10	Steel	30'	36	23 1/4	22 3/4	27	15 1/8	7 1/8	37 1/8	29'-4"	12'-4 1/4"	3	3
			12'	GLCSLX-FS-500-28 (S or AL)-64-12	Steel	30'	36	23 1/4	22 3/4	27	15 1/8	7 1/8	37 1/8	29'-6"	14'-4 1/4"	4	3
			14'	GLCSLX-FS-500-28 (S or AL)-64-14	Steel	30'	36	23 1/4	22 3/4	27	15 1/8	7 1/8	37 1/8	29'-6"	16'-4 1/4"	4	3
	78'	78'	10'	GLCSL-FS-500-28 (S or AL)-78-10	Steel	25'	46	23 1/4	20 3/4	25	15 1/8	7 1/8	37 1/8	29'-4"	12'-2 1/4"	3	4
			12'	GLCSL-FS-500-28 (S or AL)-78-12	Steel	25'	46	23 1/4	20 3/4	25	15 1/8	7 1/8	37 1/8	29'-6"	14'-2 1/4"	4	4
			14'	GLCSL-FS-500-28 (S or AL)-78-14	Steel	25'	46	23 1/4	20 3/4	25	15 1/8	7 1/8	37 1/8	29'-6"	16'-2 1/4"	4	4
	83'	83'	10'	GLCS-FS-500-28 (S or AL)-83-10	Steel	20'	46	23 1/4	18 3/8	22 5/8	15 1/8	7 1/8	37 1/8	29'-4"	11'-11 7/8"	3	5
			10'	AL-FS-500-28-83-10	Alum	20'	46	23 3/8	22 5/8	-	13 1/8	7 7/8	37 1/8	29'-4"	12'-4 1/8"	3	5
			12'	GLCS-FS-500-28 (S or AL)-83-12	Steel	20'	46	23 1/4	18 3/8	22 5/8	15 1/8	7 1/8	37 1/8	29'-6"	13'-11 7/8"	4	5
			12'	AL-FS-500-28-83-12	Alum	20'	46	23 3/8	22 5/8	-	13 1/8	7 7/8	37 1/8	29'-6"	14'-4 1/8"	4	5
			14'	GLCS-FS-500-28 (S or AL)-83-14	Steel	20'	46	23 1/4	18 3/8	22 5/8	15 1/8	7 1/8	37 1/8	29'-6"	15'-11 7/8"	4	5
			14'	AL-FS-500-28-83-14	Alum	20'	46	23 3/8	22 5/8	-	13 1/8	7 7/8	37 1/8	29'-6"	16'-4 1/8"	4	5
	94'	94'	10'	GLCSLX-FS-500-28 (S or AL)-94-10	Steel	30'	54	23 1/4	22 3/4	27	15 1/8	7 1/8	37 1/8	29'-4"	12'-4 1/4"	3	4
			12'	GLCSLX-FS-500-28 (S or AL)-94-12	Steel	30'	54	23 1/4	22 3/4	27	15 1/8	7 1/8	37 1/8	29'-6"	14'-4 1/4"	4	4
			14'	GLCSLX-FS-500-28 (S or AL)-94-14	Steel	30'	54	23 1/4	22 3/4	27	15 1/8	7 1/8	37 1/8	29'-6"	16'-4 1/4"	4	4
	103'	103'	10'	GLCS-FS-500-28 (S or AL)-103-10	Steel	20'	54	23 1/4	18 3/8	22 5/8	15 1/8	7 1/8	37 1/8	29'-4"	11'-11 7/8"	3	6
			10'	AL-FS-500-28-103-10	Alum	20'	54	23 3/8	22 5/8	-	13 1/8	7 7/8	37 1/8	29'-4"	12'-4 1/8"	3	6
			10'	GLCSL-FS-500-28 (S or AL)-103-10	Steel	25'	54	23 1/4	20 3/4	25	15 1/8	7 1/8	37 1/8	29'-4"	12'-2 1/4"	3	5
			12'	GLCS-FS-500-28 (S or AL)-103-12	Steel	20'	54	23 1/4	18 3/8	22 5/8	15 1/8	7 1/8	37 1/8	29'-6"	13'-11 7/8"	4	6
			12'	AL-FS-500-28-103-12	Alum	20'	54	23 3/8	22 5/8	-	13 1/8	7 7/8	37 1/8	29'-6"	14'-4 1/8"	4	6
			12'	GLCSL-FS-500-28 (S or AL)-103-12	Steel	25'	54	23 1/4	20 3/4	25	15 1/8	7 1/8	37 1/8	29'-6"	14'-2 1/4"	4	5
			14'	GLCS-FS-500-28 (S or AL)-103-14	Steel	20'	54	23 1/4	18 3/8	22 5/8	15 1/8	7 1/8	37 1/8	29'-6"	15'-11 7/8"	4	6
			14'	AL-FS-500-28-103-14	Alum	20'	54	23 3/8	22 5/8	-	13 1/8	7 7/8	37 1/8	29'-6"	16'-4 1/8"	4	6
	124'	124'	10'	GLCSLX-FS-500-28 (S or AL)-124-10	Steel	30'	54	23 1/4	22 3/4	27	15 1/8	7 1/8	37 1/8	29'-4"	12'-4 1/4"	3	5
			12'	GLCSLX-FS-500-28 (S or AL)-124-12	Steel	30'	54	23 1/4	22 3/4	27	15 1/8	7 1/8	37 1/8	29'-6"	14'-4 1/4"	4	5
			14'	GLCSLX-FS-500-28 (S or AL)-124-14	Steel	30'	54	23 1/4	22 3/4	27	15 1/8	7 1/8	37 1/8	29'-6"	16'-4 1/4"	4	5

*This column provides the total number of support assemblies based on the "L1" dimensions shown. Support assemblies are designed to AISC specifications and do not require bracing. If no movement of the support assembly is preferred, then bracing to the building steel is recommended (not included).

To Determine Hook Coverage: [Bridge Travel on Runway = Runway Length - (2xL8)] by [Hoist Trolley Travel on Bridge = Bridge Length - L3 - L6] (L6 allows for festoon stack-up).

Gorbel® Free Standing Work Station Bridge Crane Kits include: bridge, runways, the appropriate number of support assemblies, hoist trolley, end trucks, end stops, flat wire festooning, festoon gliders (festoon trolleys on steel runway lengths greater than 63' and all aluminum systems), festoon stack-up section, splice joints and hanger brackets. Hoist and anchor bolts provided by others.

Dimensions are for reference only and are subject to change without notice.

FREE STANDING WORK STATION BRIDGE CRANES

FREE STANDING WORK STATION CRANES

BRIDGE LENGTH (L)	RUNWAY LENGTH	TS	MODEL NUMBER	TRACK MAT.	RUNWAY			BRIDGE					SUPPORT STRUCTURE			
					MAX. L1	L7 in	L8 in	H3 in	H3A in	H4 in	L3 in	L6 in	OAW	OAH	D in	Spt*
34'	28'	10'	GLCSL-FS-500-34 (S or AL)-28-10	Steel	25'	9	23 1/4	20 3/4	25	17 1/8	7 1/8	20 1/2	35'-6"	12'-3 1/4"	4	2
		12'	GLCSL-FS-500-34 (S or AL)-28-12	Steel	25'	9	23 1/4	20 3/4	25	17 1/8	7 1/8	20 1/2	35'-6"	14'-3 1/4"	4	2
		14'	GLCSL-FS-500-34 (S or AL)-28-14	Steel	25'	9	23 1/4	20 3/4	25	17 1/8	7 1/8	20 1/2	35'-6"	16'-3 1/4"	4	2
	33'	10'	GLCS-FS-500-34 (S or AL)-33-10	Steel	20'	9	23 1/4	20 3/8	22 5/8	17 1/8	7 1/8	20 1/2	35'-6"	12'-2 7/8"	4	3
		10'	AL-FS-500-34-33-10	Alum	20'	19	23 3/8	22 5/8	-	15 1/4	7 7/8	43 7/8	35'-6"	12'-5 1/8"	4	3
		12'	GLCS-FS-500-34 (S or AL)-33-12	Steel	20'	9	23 1/4	20 3/8	22 5/8	17 1/8	7 1/8	20 1/2	35'-6"	14'-2 7/8"	4	3
		12'	AL-FS-500-34-33-12	Alum	20'	19	23 3/8	22 5/8	-	15 1/4	7 7/8	43 7/8	35'-6"	14'-5 1/8"	4	3
		14'	GLCS-FS-500-34 (S or AL)-33-14	Steel	20'	9	23 1/4	20 3/8	22 5/8	17 1/8	7 1/8	20 1/2	35'-6"	16'-2 7/8"	4	3
	34'	10'	AL-FS-500-34-33-14	Alum	20'	19	23 3/8	22 5/8	-	15 1/4	7 7/8	43 7/8	35'-6"	16'-5 1/8"	4	3
		12'	GLCSLX-FS-500-34 (S or AL)-34-10	Steel	30'	9	23 1/4	22 3/4	27	17 1/8	7 1/8	20 1/2	35'-6"	12'-5 1/4"	4	2
		14'	GLCSLX-FS-500-34 (S or AL)-34-14	Steel	30'	9	23 1/4	22 3/4	27	17 1/8	7 1/8	20 1/2	35'-6"	14'-5 1/4"	4	2
	43'	10'	GLCSLX-FS-500-34 (S or AL)-43-10	Steel	30'	9	23 1/4	22 3/4	27	17 1/8	7 1/8	20 1/2	35'-6"	16'-5 1/4"	4	2
10'		GLCS-FS-500-34 (S or AL)-43-10	Steel	20'	13	23 1/4	20 3/8	22 5/8	17 1/8	7 1/8	20 1/2	35'-6"	12'-2 7/8"	4	3	
10'		AL-FS-500-34-43-10	Alum	20'	26	23 3/8	22 5/8	-	15 1/4	7 7/8	43 7/8	35'-6"	12'-5 1/8"	4	3	
12'		GLCS-FS-500-34 (S or AL)-43-12	Steel	20'	13	23 1/4	20 3/8	22 5/8	17 1/8	7 1/8	20 1/2	35'-6"	14'-2 7/8"	4	3	
12'		AL-FS-500-34-43-12	Alum	20'	26	23 3/8	22 5/8	-	15 1/4	7 7/8	43 7/8	35'-6"	14'-5 1/8"	4	3	
53'	10'	GLCS-FS-500-34 (S or AL)-53-10	Steel	20'	13	23 1/4	20 3/8	22 5/8	17 1/8	7 1/8	20 1/2	35'-6"	12'-2 7/8"	4	4	
	10'	AL-FS-500-34-53-10	Alum	20'	30	23 3/8	22 5/8	-	15 1/4	7 7/8	43 7/8	35'-6"	12'-5 1/8"	4	4	
	10'	GLCSL-FS-500-34 (S or AL)-53-10	Steel	25'	13	23 1/4	20 3/4	25	17 1/8	7 1/8	20 1/2	35'-6"	12'-3 1/4"	4	3	
	12'	GLCS-FS-500-34 (S or AL)-53-12	Steel	20'	13	23 1/4	20 3/8	22 5/8	17 1/8	7 1/8	20 1/2	35'-6"	14'-2 7/8"	4	4	
	12'	AL-FS-500-34-53-12	Alum	20'	30	23 3/8	22 5/8	-	15 1/4	7 7/8	43 7/8	35'-6"	14'-5 1/8"	4	4	
	12'	GLCSL-FS-500-34 (S or AL)-53-12	Steel	25'	13	23 1/4	20 3/4	25	17 1/8	7 1/8	20 1/2	35'-6"	14'-3 1/4"	4	3	
	14'	GLCS-FS-500-34 (S or AL)-53-14	Steel	20'	13	23 1/4	20 3/8	22 5/8	17 1/8	7 1/8	20 1/2	35'-6"	16'-2 7/8"	4	4	
	14'	AL-FS-500-34-53-14	Alum	20'	30	23 3/8	22 5/8	-	15 1/4	7 7/8	43 7/8	35'-6"	16'-5 1/8"	4	4	
	14'	GLCSL-FS-500-34 (S or AL)-53-14	Steel	25'	13	23 1/4	20 3/4	25	17 1/8	7 1/8	20 1/2	35'-6"	16'-3 1/4"	4	3	
	63'	10'	GLCS-FS-500-34 (S or AL)-63-10	Steel	20'	19	23 1/4	20 3/8	22 5/8	17 1/8	7 1/8	20 1/2	35'-6"	12'-2 7/8"	4	4
		10'	AL-FS-500-34-63-10	Alum	20'	36	23 3/8	22 5/8	-	15 1/4	7 7/8	43 7/8	35'-6"	12'-5 1/8"	4	4
		12'	GLCS-FS-500-34 (S or AL)-63-12	Steel	20'	19	23 1/4	20 3/8	22 5/8	17 1/8	7 1/8	20 1/2	35'-6"	14'-2 7/8"	4	4
12'		AL-FS-500-34-63-12	Alum	20'	36	23 3/8	22 5/8	-	15 1/4	7 7/8	43 7/8	35'-6"	14'-5 1/8"	4	4	
14'		GLCS-FS-500-34 (S or AL)-63-14	Steel	20'	19	23 1/4	20 3/8	22 5/8	17 1/8	7 1/8	20 1/2	35'-6"	16'-2 7/8"	4	4	
64'	10'	AL-FS-500-34-63-14	Alum	20'	36	23 3/8	22 5/8	-	15 1/4	7 7/8	43 7/8	35'-6"	16'-5 1/8"	4	4	
	12'	GLCSLX-FS-500-34 (S or AL)-64-10	Steel	30'	36	23 1/4	22 3/4	27	17 1/8	7 1/8	43 7/8	35'-6"	12'-5 1/4"	4	3	
	14'	GLCSLX-FS-500-34 (S or AL)-64-14	Steel	30'	36	23 1/4	22 3/4	27	17 1/8	7 1/8	43 7/8	35'-6"	14'-5 1/4"	4	3	
78'	10'	GLCSL-FS-500-34 (S or AL)-78-10	Steel	25'	46	23 1/4	20 3/4	25	17 1/8	7 1/8	43 7/8	35'-6"	12'-3 1/4"	4	4	
	12'	GLCSL-FS-500-34 (S or AL)-78-12	Steel	25'	46	23 1/4	20 3/4	25	17 1/8	7 1/8	43 7/8	35'-6"	14'-3 1/4"	4	4	
	14'	GLCSL-FS-500-34 (S or AL)-78-14	Steel	25'	46	23 1/4	20 3/4	25	17 1/8	7 1/8	43 7/8	35'-6"	16'-3 1/4"	4	4	
83'	10'	GLCS-FS-500-34 (S or AL)-83-10	Steel	20'	46	23 1/4	20 3/8	22 5/8	17 1/8	7 1/8	43 7/8	35'-6"	12'-2 7/8"	4	5	
	10'	AL-FS-500-34-83-10	Alum	20'	46	23 3/8	22 5/8	-	15 1/4	7 7/8	43 7/8	35'-6"	12'-5 1/8"	4	5	
	12'	GLCS-FS-500-34 (S or AL)-83-12	Steel	20'	46	23 1/4	20 3/8	22 5/8	17 1/8	7 1/8	43 7/8	35'-6"	14'-2 7/8"	4	5	
	12'	AL-FS-500-34-83-12	Alum	20'	46	23 3/8	22 5/8	-	15 1/4	7 7/8	43 7/8	35'-6"	14'-5 1/8"	4	5	
	14'	GLCS-FS-500-34 (S or AL)-83-14	Steel	20'	46	23 1/4	20 3/8	22 5/8	17 1/8	7 1/8	43 7/8	35'-6"	16'-2 7/8"	4	5	
94'	10'	AL-FS-500-34-83-14	Alum	20'	46	23 3/8	22 5/8	-	15 1/4	7 7/8	43 7/8	35'-6"	16'-5 1/8"	4	5	
	10'	GLCSLX-FS-500-34 (S or AL)-94-10	Steel	30'	54	23 1/4	22 3/4	27	17 1/8	7 1/8	43 7/8	35'-6"	12'-5 1/4"	4	4	
	12'	GLCSLX-FS-500-34 (S or AL)-94-12	Steel	30'	54	23 1/4	22 3/4	27	17 1/8	7 1/8	43 7/8	35'-6"	14'-5 1/4"	4	4	
103'	10'	GLCSLX-FS-500-34 (S or AL)-94-14	Steel	30'	54	23 1/4	22 3/4	27	17 1/8	7 1/8	43 7/8	35'-6"	16'-5 1/4"	4	4	
	10'	GLCS-FS-500-34 (S or AL)-103-10	Steel	20'	54	23 1/4	20 3/8	22 5/8	17 1/8	7 1/8	43 7/8	35'-6"	12'-2 7/8"	4	6	
	10'	AL-FS-500-34-103-10	Alum	20'	54	23 3/8	22 5/8	-	15 1/4	7 7/8	43 7/8	35'-6"	12'-5 1/8"	4	6	
	10'	GLCSL-FS-500-34 (S or AL)-103-10	Steel	25'	54	23 1/4	20 3/4	25	17 1/8	7 1/8	43 7/8	35'-6"	12'-3 1/4"	4	5	
	12'	GLCS-FS-500-34 (S or AL)-103-12	Steel	20'	54	23 1/4	20 3/8	22 5/8	17 1/8	7 1/8	43 7/8	35'-6"	14'-2 7/8"	4	6	
	12'	AL-FS-500-34-103-12	Alum	20'	54	23 3/8	22 5/8	-	15 1/4	7 7/8	43 7/8	35'-6"	14'-5 1/8"	4	6	
	12'	GLCSL-FS-500-34 (S or AL)-103-12	Steel	25'	54	23 1/4	20 3/4	25	17 1/8	7 1/8	43 7/8	35'-6"	14'-3 1/4"	4	5	
	14'	GLCS-FS-500-34 (S or AL)-103-14	Steel	20'	54	23 1/4	20 3/8	22 5/8	17 1/8	7 1/8	43 7/8	35'-6"	16'-2 7/8"	4	6	
124'	10'	AL-FS-500-34-103-14	Alum	20'	54	23 3/8	22 5/8	-	15 1/4	7 7/8	43 7/8	35'-6"	16'-5 1/8"	4	6	
	12'	GLCSL-FS-500-34 (S or AL)-103-14	Steel	25'	54	23 1/4	20 3/4	25	17 1/8	7 1/8	43 7/8	35'-6"	16'-3 1/4"	4	5	
	14'	GLCSLX-FS-500-34 (S or AL)-124-10	Steel	30'	54	23 1/4	22 3/4	27	17 1/8	7 1/8	43 7/8	35'-6"	12'-5 1/4"	4	5	
124'	12'	GLCSLX-FS-500-34 (S or AL)-124-12	Steel	30'	54	23 1/4	22 3/4	27	17 1/8	7 1/8	43 7/8	35'-6"	14'-5 1/4"	4	5	
	14'	GLCSLX-FS-500-34 (S or AL)-124-14	Steel	30'	54	23 1/4	22 3/4	27	17 1/8	7 1/8	43 7/8	35'-6"	16'-5 1/4"	4	5	

*This column provides the total number of support assemblies based on the "L1" dimensions shown. Support assemblies are designed to AISC specifications and do not require bracing. If no movement of the support assembly is preferred, then bracing to the building steel is recommended (not included).

To Determine Hook Coverage: [Bridge Travel on Runway = Runway Length - (2xL8)] by [Hoist Trolley Travel on Bridge = Bridge Length - L3 - L6] (L6 allows for festoon stack-up).

Gorbel® Free Standing Work Station Bridge Crane Kits include: bridge, runways, the appropriate number of support assemblies, hoist trolley, end trucks, end stops, flat wire festooning, festoon gliders (festoon trolleys on steel runway lengths greater than 63' and all aluminum systems), festoon stack-up section, splice joints and hanger brackets. Hoist and anchor bolts provided by others.

Dimensions are for reference only and are subject to change without notice.

1000# CAPACITY

FREE STANDING WORK STATION CRANES

FREE STANDING WORK STATION BRIDGE CRANES

BRIDGE LENGTH (L)	RUNWAY LENGTH	TS	MODEL NUMBER	TRACK MAT.	RUNWAY			BRIDGE					SUPPORT STRUCTURE			
					MAX. L1	L7 in	L8 in	H3 in	H3A in	H4 in	L3 in	L6 in	OAW	OAH	D in	*tds
10'	11'-6"	10'	GLCS-FS-1000-10 (S or AL)-11.5-10	Steel	20'	9	15	18 1/8	22 1/8	7 5/8	7 7/8	13 3/8	11'-6"	11'-10 5/8"	4	2
		12'	GLCS-FS-1000-10 (S or AL)-11.5-12	Steel	20'	9	15	18 1/8	22 1/8	7 5/8	7 7/8	13 3/8	11'-6"	13'-10 5/8"	4	2
		14'	GLCSL-FS-1000-10 (S or AL)-11.5-14	Steel	20'	9	15	18 1/8	22 1/8	7 5/8	7 7/8	13 3/8	11'-8"	15'-10 5/8"	5	2
	23'	10'	GLCS-FS-1000-10 (S or AL)-23-10	Steel	20'	9	15	18 1/8	22 1/8	7 5/8	7 7/8	13 3/8	11'-6"	11'-10 5/8"	4	2
		10'	AL-FS-1000-10-23-10	Alum	20'	13	15	22 1/8	-	13 1/8	7 7/8	17 1/2	11'-6"	12'-2 5/8"	4	2
		12'	GLCS-FS-1000-10 (S or AL)-23-12	Steel	20'	9	15	18 1/8	22 1/8	7 5/8	7 7/8	13 3/8	11'-6"	13'-10 5/8"	4	2
		12'	AL-FS-1000-10-23-12	Alum	20'	13	15	22 1/8	-	13 1/8	7 7/8	17 1/2	11'-6"	14'-2 5/8"	4	2
		14'	GLCS-FS-1000-10 (S or AL)-23-14	Steel	20'	9	15	18 1/8	22 1/8	7 5/8	7 7/8	13 3/8	11'-8"	15'-10 5/8"	5	2
		14'	AL-FS-1000-10-23-14	Alum	20'	13	15	22 1/8	-	13 1/8	7 7/8	17 1/2	11'-8"	16'-2 5/8"	5	2
	28'	10'	GLCSL-FS-1000-10 (S or AL)-28-10	Steel	25'	13	15	21	25	7 5/8	7 7/8	13 3/8	11'-6"	12'-1 1/2"	4	2
		12'	GLCSL-FS-1000-10 (S or AL)-28-12	Steel	25'	13	15	21	25	7 5/8	7 7/8	13 3/8	11'-6"	14'-1 1/2"	4	2
		14'	GLCSL-FS-1000-10 (S or AL)-28-14	Steel	25'	13	15	21	25	7 5/8	7 7/8	13 3/8	11'-8"	16'-1 1/2"	5	2
	33'	10'	GLCS-FS-1000-10 (S or AL)-33-10	Steel	20'	13	15	18 1/8	22 1/8	7 5/8	7 7/8	13 3/8	11'-6"	11'-10 5/8"	4	3
		10'	AL-FS-1000-10-33-10	Alum	20'	19	15	22 1/8	-	13 1/8	7 7/8	17 1/2	11'-6"	12'-2 5/8"	4	3
		12'	GLCS-FS-1000-10 (S or AL)-33-12	Steel	20'	13	15	18 1/8	22 1/8	7 5/8	7 7/8	13 3/8	11'-6"	13'-10 5/8"	4	3
		12'	AL-FS-1000-10-33-12	Alum	20'	19	15	22 1/8	-	13 1/8	7 7/8	17 1/2	11'-6"	14'-2 5/8"	4	3
		14'	GLCS-FS-1000-10 (S or AL)-33-14	Steel	20'	13	15	18 1/8	22 1/8	7 5/8	7 7/8	13 3/8	11'-8"	15'-10 5/8"	5	3
		14'	AL-FS-1000-10-33-14	Alum	20'	19	15	22 1/8	-	13 1/8	7 7/8	17 1/2	11'-8"	16'-2 5/8"	5	3
	34'	10'	GLCSLX-FS-1000-10 (S or AL)-34-10	Steel	30'	13	15	24 1/8	28 1/8	7 5/8	7 7/8	13 3/8	11'-6"	12'-4 5/8"	4	2
		12'	GLCSLX-FS-1000-10 (S or AL)-34-12	Steel	30'	13	15	24 1/8	28 1/8	7 5/8	7 7/8	13 3/8	11'-6"	14'-4 5/8"	4	2
		14'	GLCSLX-FS-1000-10 (S or AL)-34-14	Steel	30'	13	15	24 1/8	28 1/8	7 5/8	7 7/8	13 3/8	11'-8"	16'-4 5/8"	5	2
	43'	10'	GLCS-FS-1000-10 (S or AL)-43-10	Steel	20'	19	15	18 1/8	22 1/8	7 5/8	7 7/8	13 3/8	11'-6"	11'-10 5/8"	4	3
		10'	AL-FS-1000-10-43-10	Alum	20'	26	15	22 1/8	-	13 1/8	7 7/8	17 1/2	11'-6"	12'-2 5/8"	4	3
		12'	GLCS-FS-1000-10 (S or AL)-43-12	Steel	20'	19	15	18 1/8	22 1/8	7 5/8	7 7/8	13 3/8	11'-6"	13'-10 5/8"	4	3
		12'	AL-FS-1000-10-43-12	Alum	20'	26	15	22 1/8	-	13 1/8	7 7/8	17 1/2	11'-6"	14'-2 5/8"	4	3
		14'	GLCS-FS-1000-10 (S or AL)-43-14	Steel	20'	19	15	18 1/8	22 1/8	7 5/8	7 7/8	13 3/8	11'-8"	15'-10 5/8"	5	3
		14'	AL-FS-1000-10-43-14	Alum	20'	26	15	22 1/8	-	13 1/8	7 7/8	17 1/2	11'-8"	16'-2 5/8"	5	3
	53'	10'	GLCS-FS-1000-10 (S or AL)-53-10	Steel	20'	19	15	18 1/8	22 1/8	7 5/8	7 7/8	13 3/8	11'-6"	11'-10 5/8"	4	4
		10'	AL-FS-1000-10-53-10	Alum	20'	30	15	22 1/8	-	13 1/8	7 7/8	17 1/2	11'-6"	12'-2 5/8"	4	4
		10'	GLCSL-FS-1000-10 (S or AL)-53-10	Steel	25'	19	15	21	25	7 5/8	7 7/8	13 3/8	11'-6"	12'-1 1/2"	4	3
		12'	GLCS-FS-1000-10 (S or AL)-53-12	Steel	20'	19	15	18 1/8	22 1/8	7 5/8	7 7/8	13 3/8	11'-6"	13'-10 5/8"	4	4
		12'	AL-FS-1000-10-53-12	Alum	20'	30	15	22 1/8	-	13 1/8	7 7/8	17 1/2	11'-6"	14'-2 5/8"	4	4
		12'	GLCSL-FS-1000-10 (S or AL)-53-12	Steel	25'	19	15	21	25	7 5/8	7 7/8	13 3/8	11'-6"	14'-1 1/2"	4	3
		14'	GLCS-FS-1000-10 (S or AL)-53-14	Steel	20'	19	15	18 1/8	22 1/8	7 5/8	7 7/8	13 3/8	11'-8"	15'-10 5/8"	5	4
		14'	AL-FS-1000-10-53-14	Alum	20'	30	15	22 1/8	-	13 1/8	7 7/8	17 1/2	11'-8"	16'-2 5/8"	5	4
		14'	GLCSL-FS-1000-10 (S or AL)-53-14	Steel	25'	19	15	21	25	7 5/8	7 7/8	13 3/8	11'-8"	16'-1 1/2"	5	3
		63'	10'	GLCS-FS-1000-10 (S or AL)-63-10	Steel	20'	26	15	18 1/8	22 1/8	7 5/8	7 7/8	13 3/8	11'-6"	11'-10 5/8"	4
	10'		AL-FS-1000-10-63-10	Alum	20'	36	15	22 1/8	-	13 1/8	7 7/8	17 1/2	11'-6"	12'-2 5/8"	4	4
	12'		GLCS-FS-1000-10 (S or AL)-63-12	Steel	20'	26	15	18 1/8	22 1/8	7 5/8	7 7/8	13 3/8	11'-6"	13'-10 5/8"	4	4
	12'		AL-FS-1000-10-63-12	Alum	20'	36	15	22 1/8	-	13 1/8	7 7/8	17 1/2	11'-6"	14'-2 5/8"	4	4
	14'		GLCS-FS-1000-10 (S or AL)-63-14	Steel	20'	26	15	18 1/8	22 1/8	7 5/8	7 7/8	13 3/8	11'-8"	15'-10 5/8"	5	4
	14'		AL-FS-1000-10-63-14	Alum	20'	36	15	22 1/8	-	13 1/8	7 7/8	17 1/2	11'-8"	16'-2 5/8"	5	4
	64'	10'	GLCSLX-FS-1000-10 (S or AL)-64-10	Steel	30'	36	15	24 1/8	28 1/8	7 5/8	7 7/8	23 3/8	11'-6"	12'-4 5/8"	4	3
		12'	GLCSLX-FS-1000-10 (S or AL)-64-12	Steel	30'	36	15	24 1/8	28 1/8	7 5/8	7 7/8	23 3/8	11'-6"	14'-4 5/8"	4	3
		14'	GLCSLX-FS-1000-10 (S or AL)-64-14	Steel	30'	36	15	24 1/8	28 1/8	7 5/8	7 7/8	23 3/8	11'-8"	16'-4 5/8"	5	3
	78'	10'	GLCSL-FS-1000-10 (S or AL)-78-10	Steel	25'	46	15	21	25	7 5/8	7 7/8	23 3/8	11'-6"	12'-1 1/2"	4	4
		12'	GLCSL-FS-1000-10 (S or AL)-78-12	Steel	25'	46	15	21	25	7 5/8	7 7/8	23 3/8	11'-6"	14'-1 1/2"	4	4
		14'	GLCSL-FS-1000-10 (S or AL)-78-14	Steel	25'	46	15	21	25	7 5/8	7 7/8	23 3/8	11'-8"	16'-1 1/2"	5	4
	83'	10'	GLCS-FS-1000-10 (S or AL)-83-10	Steel	20'	46	15	18 1/8	22 1/8	7 5/8	7 7/8	23 3/8	11'-6"	11'-10 5/8"	4	5
		10'	AL-FS-1000-10-83-10	Alum	20'	46	15	22 1/8	-	13 1/8	7 7/8	17 1/2	11'-6"	12'-2 5/8"	4	5
		12'	GLCS-FS-1000-10 (S or AL)-83-12	Steel	20'	46	15	18 1/8	22 1/8	7 5/8	7 7/8	23 3/8	11'-6"	13'-10 5/8"	4	5
		12'	AL-FS-1000-10-83-12	Alum	20'	46	15	22 1/8	-	13 1/8	7 7/8	17 1/2	11'-6"	14'-2 5/8"	4	5
		14'	GLCS-FS-1000-10 (S or AL)-83-14	Steel	20'	46	15	18 1/8	22 1/8	7 5/8	7 7/8	23 3/8	11'-8"	15'-10 5/8"	5	5
		14'	AL-FS-1000-10-83-14	Alum	20'	46	15	22 1/8	-	13 1/8	7 7/8	17 1/2	11'-8"	16'-2 5/8"	5	5
	94'	10'	GLCSLX-FS-1000-10 (S or AL)-94-10	Steel	30'	54	15	24 1/8	28 1/8	7 5/8	7 7/8	23 3/8	11'-6"	12'-4 5/8"	4	4
		12'	GLCSLX-FS-1000-10 (S or AL)-94-12	Steel	30'	54	15	24 1/8	28 1/8	7 5/8	7 7/8	23 3/8	11'-6"	14'-4 5/8"	4	4
		14'	GLCSLX-FS-1000-10 (S or AL)-94-14	Steel	30'	54	15	24 1/8	28 1/8	7 5/8	7 7/8	23 3/8	11'-8"	16'-4 5/8"	5	4
	103'	10'	GLCS-FS-1000-10 (S or AL)-103-10	Steel	20'	54	15	18 1/8	22 1/8	7 5/8	7 7/8	23 3/8	11'-6"	11'-10 5/8"	4	6
		10'	AL-FS-1000-10-103-10	Alum	20'	54	15	22 1/8	-	13 1/8	7 7/8	17 1/2	11'-6"	12'-2 5/8"	4	6
		10'	GLCSL-FS-1000-10 (S or AL)-103-10	Steel	25'	54	15	21	25	7 5/8	7 7/8	23 3/8	11'-6"	12'-1 1/2"	4	5
		12'	GLCS-FS-1000-10 (S or AL)-103-12	Steel	20'	54	15	18 1/8	22 1/8	7 5/8	7 7/8	23 3/8	11'-6"	13'-10 5/8"	4	6
		12'	AL-FS-1000-10-103-12	Alum	20'	54	15	22 1/8	-	13 1/8	7 7/8	17 1/2	11'-6"	14'-2 5/8"	4	6
		12'	GLCSL-FS-1000-10 (S or AL)-103-12	Steel	25'	54	15	21	25	7 5/8	7 7/8	23 3/8	11'-6"	14'-1 1/2"	4	5
		14'	GLCS-FS-1000-10 (S or AL)-103-14	Steel	20'	54	15	18 1/8	22 1/8	7 5/8	7 7/8	23 3/8	11'-8"	15'-10 5/8"	5	6
		14'	AL-FS-1000-10-103-14	Alum	20'	54	15	22 1/8	-	13 1/8	7 7/8	17 1/2	11'-8"	16'-2 5/8"	5	6
	124'	10'	GLCSLX-FS-1000-10 (S or AL)-124-10	Steel	30'	54	15	24 1/8	28 1/8	7 5/8	7 7/8	23 3/8	11'-6"	12'-4 5/8"	4	5
		12'	GLCSLX-FS-1000-10 (S or AL)-124-12	Steel	30'	54	15	24 1/8	28 1/8	7 5/8	7 7/8	23 3/8	11'-6"	14'-4 5/8"	4	5
		14'	GLCSLX-FS-1000-10 (S or AL)-124-14	Steel	30'	54	15	24 1/8	28 1/8	7 5/8	7 7/8	23 3/8	11'-8"	16'-4 5/8"	5	5

*This column provides the total number of support assemblies based on the "L1" dimensions shown. Support assemblies are designed to AISC specifications and do not require bracing. If no movement of the support assembly is preferred, then bracing to the building steel is recommended (not included).

To Determine Hook Coverage: [Bridge Travel on Runway = Runway Length - (2xL8)] by [Hoist Trolley Travel on Bridge = Bridge Length - L3 - L6] (L6 allows for festoon stack-up).

Gorbel® Free Standing Work Station Bridge Crane Kits include: bridge, runways, the appropriate number of support assemblies, hoist trolley, end trucks, end stops, flat wire festooning, festoon gliders (festoon trolleys on steel runway lengths greater than 63' and all aluminum systems), festoon stack-up section, splice joints and hanger brackets. Hoist and anchor bolts provided by others.

Dimensions are for reference only and are subject to change without notice.

FREE STANDING WORK STATION BRIDGE CRANES

BRIDGE LENGTH (L)	RUNWAY LENGTH	TS	MODEL NUMBER	TRACK MAT.	RUNWAY			BRIDGE					SUPPORT STRUCTURE			
					MAX. L1	L7 in	L8 in	H3 in	H3A in	H4 in	L3 in	L6 in	OAW	OAH	D in	Spt #
15'	23'	10'	GLCS-FS-1000-15 (S or AL)-23-10	Steel	20'	9	15	18 1/8	22 1/8	14 1/8	7 7/8	23 3/8	16'-6"	11'-10 5/8"	4	2
		10'	AL-FS-1000-15-23-10	Alum	20'	13	15	22 1/8	-	13 1/8	7 7/8	24 1/4	16'-6"	12'-2 5/8"	4	2
		12'	GLCS-FS-1000-15 (S or AL)-23-12	Steel	20'	9	15	18 1/8	22 1/8	14 1/8	7 7/8	23 3/8	16'-6"	13'-10 5/8"	4	2
		12'	AL-FS-1000-15-23-12	Alum	20'	13	15	22 1/8	-	13 1/8	7 7/8	24 1/4	16'-6"	14'-2 5/8"	4	2
		14'	GLCS-FS-1000-15 (S or AL)-23-14	Steel	20'	9	15	18 1/8	22 1/8	14 1/8	7 7/8	23 3/8	16'-8"	15'-10 5/8"	5	2
		14'	AL-FS-1000-15-23-14	Alum	20'	13	15	22 1/8	-	13 1/8	7 7/8	24 1/4	16'-8"	16'-2 5/8"	5	2
	28'	10'	GLCSL-FS-1000-15 (S or AL)-28-10	Steel	25'	13	15	21	25	14 1/8	7 7/8	23 3/8	16'-6"	12'-1 1/2"	4	2
		12'	GLCSL-FS-1000-15 (S or AL)-28-12	Steel	25'	13	15	21	25	14 1/8	7 7/8	23 3/8	16'-6"	14'-1 1/2"	4	2
		14'	GLCSL-FS-1000-15 (S or AL)-28-14	Steel	25'	13	15	21	25	14 1/8	7 7/8	23 3/8	16'-8"	16'-1 1/2"	5	2
	33'	10'	GLCS-FS-1000-15 (S or AL)-33-10	Steel	20'	13	15	18 1/8	22 1/8	14 1/8	7 7/8	23 3/8	16'-6"	11'-10 5/8"	4	3
		10'	AL-FS-1000-15-33-10	Alum	20'	19	15	22 1/8	-	13 1/8	7 7/8	24 1/4	16'-6"	12'-2 5/8"	4	3
		12'	GLCS-FS-1000-15 (S or AL)-33-12	Steel	20'	13	15	18 1/8	22 1/8	14 1/8	7 7/8	23 3/8	16'-6"	13'-10 5/8"	4	3
		12'	AL-FS-1000-15-33-12	Alum	20'	19	15	22 1/8	-	13 1/8	7 7/8	24 1/4	16'-6"	14'-2 5/8"	4	3
		14'	GLCS-FS-1000-15 (S or AL)-33-14	Steel	20'	13	15	18 1/8	22 1/8	14 1/8	7 7/8	23 3/8	16'-8"	15'-10 5/8"	5	3
		14'	AL-FS-1000-15-33-14	Alum	20'	19	15	22 1/8	-	13 1/8	7 7/8	24 1/4	16'-8"	16'-2 5/8"	5	3
	34'	10'	GLCSLX-FS-1000-15 (S or AL)-34-10	Steel	30'	13	15	24 1/8	28 1/8	14 1/8	7 7/8	23 3/8	16'-6"	12'-4 5/8"	4	2
		12'	GLCSLX-FS-1000-15 (S or AL)-34-12	Steel	30'	13	15	24 1/8	28 1/8	14 1/8	7 7/8	23 3/8	16'-6"	14'-4 5/8"	4	2
		14'	GLCSLX-FS-1000-15 (S or AL)-34-14	Steel	30'	13	15	24 1/8	28 1/8	14 1/8	7 7/8	23 3/8	16'-8"	16'-4 5/8"	5	2
	43'	10'	GLCS-FS-1000-15 (S or AL)-43-10	Steel	20'	19	15	18 1/8	22 1/8	14 1/8	7 7/8	23 3/8	16'-6"	11'-10 5/8"	4	3
		10'	AL-FS-1000-15-43-10	Alum	20'	26	15	22 1/8	-	13 1/8	7 7/8	24 1/4	16'-6"	12'-2 5/8"	4	3
		12'	GLCS-FS-1000-15 (S or AL)-43-12	Steel	20'	19	15	18 1/8	22 1/8	14 1/8	7 7/8	23 3/8	16'-6"	13'-10 5/8"	4	3
		12'	AL-FS-1000-15-43-12	Alum	20'	26	15	22 1/8	-	13 1/8	7 7/8	24 1/4	16'-6"	14'-2 5/8"	4	3
		14'	GLCS-FS-1000-15 (S or AL)-43-14	Steel	20'	19	15	18 1/8	22 1/8	14 1/8	7 7/8	23 3/8	16'-8"	15'-10 5/8"	5	3
		14'	AL-FS-1000-15-43-14	Alum	20'	26	15	22 1/8	-	13 1/8	7 7/8	24 1/4	16'-8"	16'-2 5/8"	5	3
	53'	10'	GLCS-FS-1000-15 (S or AL)-53-10	Steel	20'	19	15	18 1/8	22 1/8	14 1/8	7 7/8	23 3/8	16'-6"	11'-10 5/8"	4	4
		10'	AL-FS-1000-15-53-10	Alum	20'	30	15	22 1/8	-	13 1/8	7 7/8	24 1/4	16'-6"	12'-2 5/8"	4	4
		10'	GLCSL-FS-1000-15 (S or AL)-53-10	Steel	25'	19	15	21	25	14 1/8	7 7/8	23 3/8	16'-6"	12'-1 1/2"	4	3
		12'	GLCS-FS-1000-15 (S or AL)-53-12	Steel	20'	19	15	18 1/8	22 1/8	14 1/8	7 7/8	23 3/8	16'-6"	13'-10 5/8"	4	4
		12'	AL-FS-1000-15-53-12	Alum	20'	30	15	22 1/8	-	13 1/8	7 7/8	24 1/4	16'-6"	14'-2 5/8"	4	4
		12'	GLCSL-FS-1000-15 (S or AL)-53-12	Steel	25'	19	15	21	25	14 1/8	7 7/8	23 3/8	16'-6"	14'-1 1/2"	4	3
		14'	GLCS-FS-1000-15 (S or AL)-53-14	Steel	20'	19	15	18 1/8	22 1/8	14 1/8	7 7/8	23 3/8	16'-8"	15'-10 5/8"	5	4
		14'	AL-FS-1000-15-53-14	Alum	20'	30	15	22 1/8	-	13 1/8	7 7/8	24 1/4	16'-8"	16'-2 5/8"	5	4
		14'	GLCSL-FS-1000-15 (S or AL)-53-14	Steel	25'	19	15	21	25	14 1/8	7 7/8	23 3/8	16'-8"	16'-1 1/2"	5	3
		63'	10'	GLCS-FS-1000-15 (S or AL)-63-10	Steel	20'	26	15	18 1/8	22 1/8	14 1/8	7 7/8	23 3/8	16'-6"	11'-10 5/8"	4
	10'		AL-FS-1000-15-63-10	Alum	20'	36	15	22 1/8	-	13 1/8	7 7/8	24 1/4	16'-6"	12'-2 5/8"	4	4
	12'		GLCS-FS-1000-15 (S or AL)-63-12	Steel	20'	26	15	18 1/8	22 1/8	14 1/8	7 7/8	23 3/8	16'-6"	13'-10 5/8"	4	4
	12'		AL-FS-1000-15-63-12	Alum	20'	36	15	22 1/8	-	13 1/8	7 7/8	24 1/4	16'-6"	14'-2 5/8"	4	4
	14'		GLCS-FS-1000-15 (S or AL)-63-14	Steel	20'	26	15	18 1/8	22 1/8	14 1/8	7 7/8	23 3/8	16'-8"	15'-10 5/8"	5	4
	14'		AL-FS-1000-15-63-14	Alum	20'	36	15	22 1/8	-	13 1/8	7 7/8	24 1/4	16'-8"	16'-2 5/8"	5	4
	64'	10'	GLCSLX-FS-1000-15 (S or AL)-64-10	Steel	30'	36	15	24 1/8	28 1/8	14 1/8	7 7/8	24 1/4	16'-6"	12'-4 5/8"	4	3
		12'	GLCSLX-FS-1000-15 (S or AL)-64-12	Steel	30'	36	15	24 1/8	28 1/8	14 1/8	7 7/8	24 1/4	16'-6"	14'-4 5/8"	4	3
		14'	GLCSLX-FS-1000-15 (S or AL)-64-14	Steel	30'	36	15	24 1/8	28 1/8	14 1/8	7 7/8	24 1/4	16'-8"	16'-4 5/8"	5	3
	78'	10'	GLCSL-FS-1000-15 (S or AL)-78-10	Steel	25'	46	15	21	25	14 1/8	7 7/8	24 1/4	16'-6"	12'-4 5/8"	4	4
		12'	GLCSL-FS-1000-15 (S or AL)-78-12	Steel	25'	46	15	21	25	14 1/8	7 7/8	24 1/4	16'-6"	14'-1 1/2"	4	4
		14'	GLCSL-FS-1000-15 (S or AL)-78-14	Steel	25'	46	15	21	25	14 1/8	7 7/8	24 1/4	16'-8"	16'-1 1/2"	5	4
	83'	10'	GLCS-FS-1000-15 (S or AL)-83-10	Steel	20'	46	15	18 1/8	22 1/8	14 1/8	7 7/8	24 1/4	16'-6"	11'-10 5/8"	4	5
		10'	AL-FS-1000-15-83-10	Alum	20'	46	15	22 1/8	-	13 1/8	7 7/8	24 1/4	16'-6"	12'-2 5/8"	4	5
		12'	GLCS-FS-1000-15 (S or AL)-83-12	Steel	20'	46	15	18 1/8	22 1/8	14 1/8	7 7/8	24 1/4	16'-6"	13'-10 5/8"	4	5
		12'	AL-FS-1000-15-83-12	Alum	20'	46	15	22 1/8	-	13 1/8	7 7/8	24 1/4	16'-6"	14'-2 5/8"	4	5
		14'	GLCS-FS-1000-15 (S or AL)-83-14	Steel	20'	46	15	18 1/8	22 1/8	14 1/8	7 7/8	24 1/4	16'-8"	15'-10 5/8"	5	5
	14'	AL-FS-1000-15-83-14	Alum	20'	46	15	22 1/8	-	13 1/8	7 7/8	24 1/4	16'-8"	16'-2 5/8"	5	5	
	94'	10'	GLCSLX-FS-1000-15 (S or AL)-94-10	Steel	30'	54	15	24 1/8	28 1/8	14 1/8	7 7/8	24 1/4	16'-6"	12'-4 5/8"	4	4
		12'	GLCSLX-FS-1000-15 (S or AL)-94-12	Steel	30'	54	15	24 1/8	28 1/8	14 1/8	7 7/8	24 1/4	16'-6"	14'-4 5/8"	4	4
		14'	GLCSLX-FS-1000-15 (S or AL)-94-14	Steel	30'	54	15	24 1/8	28 1/8	14 1/8	7 7/8	24 1/4	16'-8"	16'-4 5/8"	5	4
	103'	10'	GLCS-FS-1000-15 (S or AL)-103-10	Steel	20'	54	15	18 1/8	22 1/8	14 1/8	7 7/8	24 1/4	16'-6"	11'-10 5/8"	4	6
		10'	AL-FS-1000-15-103-10	Alum	20'	54	15	22 1/8	-	13 1/8	7 7/8	24 1/4	16'-6"	12'-2 5/8"	4	6
		10'	GLCSL-FS-1000-15 (S or AL)-103-10	Steel	25'	54	15	21	25	14 1/8	7 7/8	24 1/4	16'-6"	12'-1 1/2"	4	5
		12'	GLCS-FS-1000-15 (S or AL)-103-12	Steel	20'	54	15	18 1/8	22 1/8	14 1/8	7 7/8	24 1/4	16'-6"	13'-10 5/8"	4	6
		12'	AL-FS-1000-15-103-12	Alum	20'	54	15	22 1/8	-	13 1/8	7 7/8	24 1/4	16'-6"	14'-2 5/8"	4	6
		12'	GLCSL-FS-1000-15 (S or AL)-103-12	Steel	25'	54	15	21	25	14 1/8	7 7/8	24 1/4	16'-6"	14'-1 1/2"	4	5
		14'	GLCS-FS-1000-15 (S or AL)-103-14	Steel	20'	54	15	18 1/8	22 1/8	14 1/8	7 7/8	24 1/4	16'-8"	15'-10 5/8"	5	6
		14'	AL-FS-1000-15-103-14	Alum	20'	54	15	22 1/8	-	13 1/8	7 7/8	24 1/4	16'-8"	16'-2 5/8"	5	6
	124'	10'	GLCSLX-FS-1000-15 (S or AL)-124-10	Steel	30'	54	15	24 1/8	28 1/8	14 1/8	7 7/8	24 1/4	16'-6"	12'-4 5/8"	4	5
		12'	GLCSLX-FS-1000-15 (S or AL)-124-12	Steel	30'	54	15	24 1/8	28 1/8	14 1/8	7 7/8	24 1/4	16'-6"	14'-4 5/8"	4	5
		14'	GLCSLX-FS-1000-15 (S or AL)-124-14	Steel	30'	54	15	24 1/8	28 1/8	14 1/8	7 7/8	24 1/4	16'-8"	16'-4 5/8"	5	5

*This column provides the total number of support assemblies based on the "L1" dimensions shown. Support assemblies are designed to AISC specifications and do not require bracing. If no movement of the support assembly is preferred, then bracing to the building steel is recommended (not included).

To Determine Hook Coverage: [Bridge Travel on Runway = Runway Length - (2xL8)] by [Hoist Trolley Travel on Bridge = Bridge Length - L3 - L6] (L6 allows for festoon stack-up).

Corbel® Free Standing Work Station Bridge Crane Kits include: bridge, runways, the appropriate number of support assemblies, hoist trolley, end trucks, end stops, flat wire festooning, festoon gliders (festoon trolleys on steel runway lengths greater than 63' and all aluminum systems), festoon stack-up section, splice joints and hanger brackets. Hoist and anchor bolts provided by others.

Dimensions are for reference only and are subject to change without notice.

1000# CAPACITY

FREE STANDING WORK STATION BRIDGE CRANES

FREE STANDING WORK STATION BRIDGE CRANES

BRIDGE LENGTH (L)	RUNWAY LENGTH	TS	MODEL NUMBER	TRACK MAT.	RUNWAY			BRIDGE					SUPPORT STRUCTURE			
					MAX. L1	L7 in	L8 in	H3 in	H3A in	H4 in	L3 in	L6 in	OAW	OAH	D in	*tds
20'	23'	10'	GLCS-FS-1000-20 (S or AL)-23-10	Steel	20'	9	15	18 1/8	22 1/8	14 1/8	7 7/8	23 3/8	21'-6"	11'-10 5/8"	4	2
		10'	AL-FS-1000-20-23-10	Alum	20'	13	15	22 1/8	-	13 1/8	7 7/8	27 5/8	21'-6"	12'-2 5/8"	4	2
		12'	GLCS-FS-1000-20 (S or AL)-23-12	Steel	20'	9	15	18 1/8	22 1/8	14 1/8	7 7/8	23 3/8	21'-6"	13'-10 5/8"	4	2
		12'	AL-FS-1000-20-23-12	Alum	20'	13	15	22 1/8	-	13 1/8	7 7/8	27 5/8	21'-6"	14'-2 5/8"	4	2
		14'	GLCS-FS-1000-20 (S or AL)-23-14	Steel	20'	9	15	18 1/8	22 1/8	14 1/8	7 7/8	23 3/8	21'-8"	15'-10 5/8"	5	2
	14'	AL-FS-1000-20-23-14	Alum	20'	13	15	22 1/8	-	13 1/8	7 7/8	27 5/8	21'-8"	16'-2 5/8"	5	2	
	28'	10'	GLCSL-FS-1000-20 (S or AL)-28-10	Steel	25'	13	15	21	25	14 1/8	7 7/8	23 3/8	21'-6"	12'-1 1/2"	4	2
		12'	GLCSL-FS-1000-20 (S or AL)-28-12	Steel	25'	13	15	21	25	14 1/8	7 7/8	23 3/8	21'-6"	14'-1 1/2"	4	2
		14'	GLCSL-FS-1000-20 (S or AL)-28-14	Steel	25'	13	15	21	25	14 1/8	7 7/8	23 3/8	21'-8"	16'-1 1/2"	5	2
	33'	10'	GLCS-FS-1000-20 (S or AL)-33-10	Steel	20'	13	15	18 1/8	22 1/8	14 1/8	7 7/8	23 3/8	21'-6"	11'-10 5/8"	4	3
		10'	AL-FS-1000-20-33-10	Alum	20'	19	15	22 1/8	-	13 1/8	7 7/8	27 5/8	21'-6"	12'-2 5/8"	4	3
		12'	GLCS-FS-1000-20 (S or AL)-33-12	Steel	20'	13	15	18 1/8	22 1/8	14 1/8	7 7/8	23 3/8	21'-6"	13'-10 5/8"	4	3
		12'	AL-FS-1000-20-33-12	Alum	20'	19	15	22 1/8	-	13 1/8	7 7/8	27 5/8	21'-6"	14'-2 5/8"	4	3
		14'	GLCS-FS-1000-20 (S or AL)-33-14	Steel	20'	13	15	18 1/8	22 1/8	14 1/8	7 7/8	23 3/8	21'-8"	15'-10 5/8"	5	3
	14'	AL-FS-1000-20-33-14	Alum	20'	19	15	22 1/8	-	13 1/8	7 7/8	27 5/8	21'-8"	16'-2 5/8"	5	3	
	34'	10'	GLCSLX-FS-1000-20 (S or AL)-34-10	Steel	30'	13	15	24 1/8	28 1/8	14 1/8	7 7/8	23 3/8	21'-6"	12'-4 5/8"	4	2
		12'	GLCSLX-FS-1000-20 (S or AL)-34-12	Steel	30'	13	15	24 1/8	28 1/8	14 1/8	7 7/8	23 3/8	21'-6"	14'-4 5/8"	4	2
		14'	GLCSLX-FS-1000-20 (S or AL)-34-14	Steel	30'	13	15	24 1/8	28 1/8	14 1/8	7 7/8	23 3/8	21'-8"	16'-5 5/8"	5	2
	43'	10'	GLCS-FS-1000-20 (S or AL)-43-10	Steel	20'	19	15	18 1/8	22 1/8	14 1/8	7 7/8	23 3/8	21'-6"	11'-10 5/8"	4	3
		10'	AL-FS-1000-20-43-10	Alum	20'	26	15	22 1/8	-	13 1/8	7 7/8	27 5/8	21'-6"	12'-2 5/8"	4	3
		12'	GLCS-FS-1000-20 (S or AL)-43-12	Steel	20'	19	15	18 1/8	22 1/8	14 1/8	7 7/8	23 3/8	21'-6"	13'-10 5/8"	4	3
		12'	AL-FS-1000-20-43-12	Alum	20'	26	15	22 1/8	-	13 1/8	7 7/8	27 5/8	21'-6"	14'-2 5/8"	4	3
		14'	GLCS-FS-1000-20 (S or AL)-43-14	Steel	20'	19	15	18 1/8	22 1/8	14 1/8	7 7/8	23 3/8	21'-8"	15'-10 5/8"	5	3
	14'	AL-FS-1000-20-43-14	Alum	20'	26	15	22 1/8	-	13 1/8	7 7/8	27 5/8	21'-8"	16'-2 5/8"	5	3	
	53'	10'	GLCS-FS-1000-20 (S or AL)-53-10	Steel	20'	19	15	18 1/8	22 1/8	14 1/8	7 7/8	23 3/8	21'-6"	11'-10 5/8"	4	4
		10'	AL-FS-1000-20-53-10	Alum	20'	30	15	22 1/8	-	13 1/8	7 7/8	27 5/8	21'-6"	12'-2 5/8"	4	4
		10'	GLCSL-FS-1000-20 (S or AL)-53-10	Steel	25'	19	15	21	25	14 1/8	7 7/8	23 3/8	21'-6"	12'-1 1/2"	4	3
		12'	GLCS-FS-1000-20 (S or AL)-53-12	Steel	20'	19	15	18 1/8	22 1/8	14 1/8	7 7/8	23 3/8	21'-6"	13'-10 5/8"	4	4
		12'	AL-FS-1000-20-53-12	Alum	20'	30	15	22 1/8	-	13 1/8	7 7/8	27 5/8	21'-6"	14'-2 5/8"	4	4
		12'	GLCSL-FS-1000-20 (S or AL)-53-12	Steel	25'	19	15	21	25	14 1/8	7 7/8	23 3/8	21'-6"	14'-1 1/2"	4	3
		14'	GLCS-FS-1000-20 (S or AL)-53-14	Steel	20'	19	15	18 1/8	22 1/8	14 1/8	7 7/8	23 3/8	21'-8"	15'-10 5/8"	5	4
		14'	AL-FS-1000-20-53-14	Alum	20'	30	15	22 1/8	-	13 1/8	7 7/8	27 5/8	21'-8"	16'-2 5/8"	5	4
	14'	GLCSL-FS-1000-20 (S or AL)-53-14	Steel	25'	19	15	21	25	14 1/8	7 7/8	23 3/8	21'-8"	16'-1 1/2"	5	3	
	63'	10'	GLCS-FS-1000-20 (S or AL)-63-10	Steel	20'	26	15	18 1/8	22 1/8	14 1/8	7 7/8	23 3/8	21'-6"	11'-10 5/8"	4	4
		10'	AL-FS-1000-20-63-10	Alum	20'	36	15	22 1/8	-	13 1/8	7 7/8	27 5/8	21'-6"	12'-2 5/8"	4	4
		12'	GLCS-FS-1000-20 (S or AL)-63-12	Steel	20'	26	15	18 1/8	22 1/8	14 1/8	7 7/8	23 3/8	21'-6"	13'-10 5/8"	4	4
		12'	AL-FS-1000-20-63-12	Alum	20'	36	15	22 1/8	-	13 1/8	7 7/8	27 5/8	21'-6"	14'-2 5/8"	4	4
		14'	GLCS-FS-1000-20 (S or AL)-63-14	Steel	20'	26	15	18 1/8	22 1/8	14 1/8	7 7/8	23 3/8	21'-8"	15'-10 5/8"	5	4
	14'	AL-FS-1000-20-63-14	Alum	20'	36	15	22 1/8	-	13 1/8	7 7/8	27 5/8	21'-8"	16'-2 5/8"	5	4	
	64'	10'	GLCSLX-FS-1000-20 (S or AL)-64-10	Steel	30'	36	15	24 1/8	28 1/8	14 1/8	7 7/8	27 5/8	21'-6"	12'-4 5/8"	4	3
		12'	GLCSLX-FS-1000-20 (S or AL)-64-12	Steel	30'	36	15	24 1/8	28 1/8	14 1/8	7 7/8	27 5/8	21'-6"	14'-4 5/8"	4	3
		14'	GLCSLX-FS-1000-20 (S or AL)-64-14	Steel	30'	36	15	24 1/8	28 1/8	14 1/8	7 7/8	27 5/8	21'-8"	16'-5 5/8"	5	3
	78'	10'	GLCSL-FS-1000-20 (S or AL)-78-10	Steel	25'	46	15	21	25	14 1/8	7 7/8	27 5/8	21'-6"	12'-1 1/2"	4	4
		12'	GLCSL-FS-1000-20 (S or AL)-78-12	Steel	25'	46	15	21	25	14 1/8	7 7/8	27 5/8	21'-6"	14'-1 1/2"	4	4
		14'	GLCSL-FS-1000-20 (S or AL)-78-14	Steel	25'	46	15	21	25	14 1/8	7 7/8	27 5/8	21'-8"	16'-1 1/2"	5	4
	83'	10'	GLCS-FS-1000-20 (S or AL)-83-10	Steel	20'	46	15	18 1/8	22 1/8	14 1/8	7 7/8	27 5/8	21'-6"	11'-10 5/8"	4	5
		10'	AL-FS-1000-20-83-10	Alum	20'	46	15	22 1/8	-	13 1/8	7 7/8	27 5/8	21'-6"	12'-2 5/8"	4	5
		12'	GLCS-FS-1000-20 (S or AL)-83-12	Steel	20'	46	15	18 1/8	22 1/8	14 1/8	7 7/8	27 5/8	21'-6"	13'-10 5/8"	4	5
		12'	AL-FS-1000-20-83-12	Alum	20'	46	15	22 1/8	-	13 1/8	7 7/8	27 5/8	21'-6"	14'-2 5/8"	4	5
		14'	GLCS-FS-1000-20 (S or AL)-83-14	Steel	20'	46	15	18 1/8	22 1/8	14 1/8	7 7/8	27 5/8	21'-8"	15'-10 5/8"	5	5
	14'	AL-FS-1000-20-83-14	Alum	20'	46	15	22 1/8	-	13 1/8	7 7/8	27 5/8	21'-8"	16'-2 5/8"	5	5	
	94'	10'	GLCSLX-FS-1000-20 (S or AL)-94-10	Steel	30'	54	15	24 1/8	28 1/8	14 1/8	7 7/8	27 5/8	21'-6"	12'-4 5/8"	4	4
		12'	GLCSLX-FS-1000-20 (S or AL)-94-12	Steel	30'	54	15	24 1/8	28 1/8	14 1/8	7 7/8	27 5/8	21'-6"	14'-4 5/8"	4	4
		14'	GLCSLX-FS-1000-20 (S or AL)-94-14	Steel	30'	54	15	24 1/8	28 1/8	14 1/8	7 7/8	27 5/8	21'-8"	16'-5 5/8"	5	4
	103'	10'	GLCS-FS-1000-20 (S or AL)-103-10	Steel	20'	54	15	18 1/8	22 1/8	14 1/8	7 7/8	27 5/8	21'-6"	11'-10 5/8"	4	6
		10'	AL-FS-1000-20-103-10	Alum	20'	54	15	22 1/8	-	13 1/8	7 7/8	27 5/8	21'-6"	12'-2 5/8"	4	6
		10'	GLCSL-FS-1000-20 (S or AL)-103-10	Steel	25'	54	15	21	25	14 1/8	7 7/8	27 5/8	21'-6"	12'-1 1/2"	4	5
		12'	GLCS-FS-1000-20 (S or AL)-103-12	Steel	20'	54	15	18 1/8	22 1/8	14 1/8	7 7/8	27 5/8	21'-6"	13'-10 5/8"	4	6
		12'	AL-FS-1000-20-103-12	Alum	20'	54	15	22 1/8	-	13 1/8	7 7/8	27 5/8	21'-6"	14'-2 5/8"	4	6
		12'	GLCSL-FS-1000-20 (S or AL)-103-12	Steel	25'	54	15	21	25	14 1/8	7 7/8	27 5/8	21'-6"	14'-1 1/2"	4	5
		14'	GLCS-FS-1000-20 (S or AL)-103-14	Steel	20'	54	15	18 1/8	22 1/8	14 1/8	7 7/8	27 5/8	21'-8"	15'-10 5/8"	5	6
	14'	AL-FS-1000-20-103-14	Alum	20'	54	15	22 1/8	-	13 1/8	7 7/8	27 5/8	21'-8"	16'-2 5/8"	5	6	
	14'	GLCSL-FS-1000-20 (S or AL)-103-14	Steel	25'	54	15	21	25	14 1/8	7 7/8	27 5/8	21'-8"	16'-1 1/2"	5	5	
	124'	10'	GLCSLX-FS-1000-20 (S or AL)-124-10	Steel	30'	54	15	24 1/8	28 1/8	14 1/8	7 7/8	27 5/8	21'-6"	12'-4 5/8"	4	5
		12'	GLCSLX-FS-1000-20 (S or AL)-124-12	Steel	30'	54	15	24 1/8	28 1/8	14 1/8	7 7/8	27 5/8	21'-6"	14'-4 5/8"	4	5
		14'	GLCSLX-FS-1000-20 (S or AL)-124-14	Steel	30'	54	15	24 1/8	28 1/8	14 1/8	7 7/8	27 5/8	21'-8"	16'-5 5/8"	5	5

*This column provides the total number of support assemblies based on the "L1" dimensions shown. Support assemblies are designed to AISC specifications and do not require bracing. If no movement of the support assembly is preferred, then bracing to the building steel is recommended (not included).

To Determine Hook Coverage: [Bridge Travel on Runway = Runway Length - (2xL8)] by [Hoist Trolley Travel on Bridge = Bridge Length - L3 - L6] (L6 allows for festoon stack-up).

Gorbel® Free Standing Work Station Bridge Crane Kits include: bridge, runways, the appropriate number of support assemblies, hoist trolley, end trucks, end stops, flat wire festooning, festoon gliders (festoon trolleys on steel runway lengths greater than 63' and all aluminum systems), festoon stack-up section, splice joints and hanger brackets. Hoist and anchor bolts provided by others.

Dimensions are for reference only and are subject to change without notice.

FREE STANDING WORK STATION BRIDGE CRANES

FREE STANDING WORK STATION CRANES

BRIDGE LENGTH (L)	RUNWAY LENGTH	TS	MODEL NUMBER	TRACK MAT.	RUNWAY			BRIDGE					SUPPORT STRUCTURE			
					MAX. L1	L7 in	L8 in	H3 in	H3A in	H4 in	L3 in	L6 in	OAW	OAH	D in	Spt*
23'	23'	10'	GLCS-FS-1000-23 (S or AL)-23-10	Steel	20'	9	15	18 1/8	22 1/8	14 1/8	7 7/8	23 3/8	24'-6"	11'-11 5/8"	4	2
		10'	AL-FS-1000-23-23-10	Alum	20'	13	15	22 1/8	-	13 1/8	7 7/8	31	24'-6"	12'-3 5/8"	4	2
		12'	GLCS-FS-1000-23 (S or AL)-23-12	Steel	20'	9	15	18 1/8	22 1/8	14 1/8	7 7/8	23 3/8	24'-6"	13'-11 5/8"	4	2
		12'	AL-FS-1000-23-23-12	Alum	20'	13	15	22 1/8	-	13 1/8	7 7/8	31	24'-6"	14'-3 5/8"	4	2
		14'	GLCS-FS-1000-23 (S or AL)-23-14	Steel	20'	9	15	18 1/8	22 1/8	14 1/8	7 7/8	23 3/8	24'-8"	15'-11 5/8"	5	2
		14'	AL-FS-1000-23-23-14	Alum	20'	13	15	22 1/8	-	13 1/8	7 7/8	31	24'-8"	16'-3 5/8"	5	2
	28'	10'	GLCSL-FS-1000-23 (S or AL)-28-10	Steel	25'	13	15	21	25	14 1/8	7 7/8	23 3/8	24'-6"	12'-2 1/2"	4	2
		12'	GLCSL-FS-1000-23 (S or AL)-28-12	Steel	25'	13	15	21	25	14 1/8	7 7/8	23 3/8	24'-6"	14'-2 1/2"	4	2
		14'	GLCSL-FS-1000-23 (S or AL)-28-14	Steel	25'	13	15	21	25	14 1/8	7 7/8	23 3/8	24'-8"	16'-2 1/2"	5	2
	33'	10'	GLCS-FS-1000-23 (S or AL)-33-10	Steel	20'	13	15	18 1/8	22 1/8	14 1/8	7 7/8	23 3/8	24'-6"	11'-11 5/8"	4	3
		10'	AL-FS-1000-23-33-10	Alum	20'	19	15	22 1/8	-	13 1/8	7 7/8	31	24'-6"	12'-3 5/8"	4	3
		12'	GLCS-FS-1000-23 (S or AL)-33-12	Steel	20'	13	15	18 1/8	22 1/8	14 1/8	7 7/8	23 3/8	24'-6"	13'-11 5/8"	4	3
12'		AL-FS-1000-23-33-12	Alum	20'	19	15	22 1/8	-	13 1/8	7 7/8	31	24'-6"	14'-3 5/8"	4	3	
14'		GLCS-FS-1000-23 (S or AL)-33-14	Steel	20'	13	15	18 1/8	22 1/8	14 1/8	7 7/8	23 3/8	24'-8"	15'-11 5/8"	5	3	
14'		AL-FS-1000-23-33-14	Alum	20'	19	15	22 1/8	-	13 1/8	7 7/8	31	24'-8"	16'-3 5/8"	5	3	
34'	10'	GLCSLX-FS-1000-23 (S or AL)-34-10	Steel	30'	13	15	24 1/8	28 1/8	14 1/8	7 7/8	23 3/8	24'-6"	12'-5 5/8"	4	2	
	12'	GLCSLX-FS-1000-23 (S or AL)-34-12	Steel	30'	13	15	24 1/8	28 1/8	14 1/8	7 7/8	23 3/8	24'-6"	14'-5 5/8"	4	2	
	14'	GLCSLX-FS-1000-23 (S or AL)-34-14	Steel	30'	13	15	24 1/8	28 1/8	14 1/8	7 7/8	23 3/8	24'-8"	16'-5 5/8"	5	2	
43'	10'	GLCS-FS-1000-23 (S or AL)-43-10	Steel	20'	19	15	18 1/8	22 1/8	14 1/8	7 7/8	23 3/8	24'-6"	11'-11 5/8"	4	3	
	10'	AL-FS-1000-23-43-10	Alum	20'	26	15	22 1/8	-	13 1/8	7 7/8	31	24'-6"	12'-3 5/8"	4	3	
	12'	GLCS-FS-1000-23 (S or AL)-43-12	Steel	20'	19	15	18 1/8	22 1/8	14 1/8	7 7/8	23 3/8	24'-6"	13'-11 5/8"	4	3	
	12'	AL-FS-1000-23-43-12	Alum	20'	26	15	22 1/8	-	13 1/8	7 7/8	31	24'-6"	14'-3 5/8"	4	3	
	14'	GLCS-FS-1000-23 (S or AL)-43-14	Steel	20'	19	15	18 1/8	22 1/8	14 1/8	7 7/8	23 3/8	24'-8"	15'-11 5/8"	5	3	
	14'	AL-FS-1000-23-43-14	Alum	20'	26	15	22 1/8	-	13 1/8	7 7/8	31	24'-8"	16'-3 5/8"	5	3	
53'	10'	GLCS-FS-1000-23 (S or AL)-53-10	Steel	20'	19	15	18 1/8	22 1/8	14 1/8	7 7/8	23 3/8	24'-6"	11'-11 5/8"	4	4	
	10'	AL-FS-1000-23-53-10	Alum	20'	30	15	22 1/8	-	13 1/8	7 7/8	31	24'-6"	12'-3 5/8"	4	4	
	12'	GLCSL-FS-1000-23 (S or AL)-53-10	Steel	25'	19	15	21	25	14 1/8	7 7/8	23 3/8	24'-6"	12'-2 1/2"	4	3	
	12'	GLCS-FS-1000-23 (S or AL)-53-12	Steel	20'	19	15	18 1/8	22 1/8	14 1/8	7 7/8	23 3/8	24'-6"	13'-11 5/8"	4	4	
	12'	AL-FS-1000-23-53-12	Alum	20'	30	15	22 1/8	-	13 1/8	7 7/8	31	24'-6"	14'-3 5/8"	4	4	
	12'	GLCSL-FS-1000-23 (S or AL)-53-12	Steel	25'	19	15	21	25	14 1/8	7 7/8	23 3/8	24'-6"	14'-2 1/2"	4	3	
	14'	GLCS-FS-1000-23 (S or AL)-53-14	Steel	20'	19	15	18 1/8	22 1/8	14 1/8	7 7/8	23 3/8	24'-8"	15'-11 5/8"	5	4	
	14'	AL-FS-1000-23-53-14	Alum	20'	30	15	22 1/8	-	13 1/8	7 7/8	31	24'-8"	16'-3 5/8"	5	4	
63'	10'	GLCS-FS-1000-23 (S or AL)-63-10	Steel	20'	26	15	18 1/8	22 1/8	14 1/8	7 7/8	23 3/8	24'-6"	11'-11 5/8"	4	4	
	10'	AL-FS-1000-23-63-10	Alum	20'	36	15	22 1/8	-	13 1/8	7 7/8	31	24'-6"	12'-3 5/8"	4	4	
	12'	GLCS-FS-1000-23 (S or AL)-63-12	Steel	20'	26	15	18 1/8	22 1/8	14 1/8	7 7/8	23 3/8	24'-6"	13'-11 5/8"	4	4	
	12'	AL-FS-1000-23-63-12	Alum	20'	36	15	22 1/8	-	13 1/8	7 7/8	31	24'-6"	14'-3 5/8"	4	4	
	14'	GLCS-FS-1000-23 (S or AL)-63-14	Steel	20'	26	15	18 1/8	22 1/8	14 1/8	7 7/8	23 3/8	24'-8"	15'-11 5/8"	5	4	
	14'	AL-FS-1000-23-63-14	Alum	20'	36	15	22 1/8	-	13 1/8	7 7/8	31	24'-8"	16'-3 5/8"	5	4	
64'	10'	GLCSLX-FS-1000-23 (S or AL)-64-10	Steel	30'	36	15	24 1/8	28 1/8	14 1/8	7 7/8	31	24'-6"	12'-5 5/8"	4	3	
	12'	GLCSLX-FS-1000-23 (S or AL)-64-12	Steel	30'	36	15	24 1/8	28 1/8	14 1/8	7 7/8	31	24'-6"	14'-5 5/8"	4	3	
	14'	GLCSLX-FS-1000-23 (S or AL)-64-14	Steel	30'	36	15	24 1/8	28 1/8	14 1/8	7 7/8	31	24'-8"	16'-5 5/8"	5	3	
78'	10'	GLCSL-FS-1000-23 (S or AL)-78-10	Steel	25'	46	15	21	25	14 1/8	7 7/8	31	24'-6"	12'-2 1/2"	4	4	
	12'	GLCSL-FS-1000-23 (S or AL)-78-12	Steel	25'	46	15	21	25	14 1/8	7 7/8	31	24'-6"	14'-2 1/2"	4	4	
	14'	GLCSL-FS-1000-23 (S or AL)-78-14	Steel	25'	46	15	21	25	14 1/8	7 7/8	31	24'-8"	16'-2 1/2"	5	4	
83'	10'	GLCS-FS-1000-23 (S or AL)-83-10	Steel	20'	46	15	18 1/8	22 1/8	14 1/8	7 7/8	31	24'-6"	11'-11 5/8"	4	5	
	10'	AL-FS-1000-23-83-10	Alum	20'	46	15	22 1/8	-	13 1/8	7 7/8	31	24'-6"	12'-3 5/8"	4	5	
	12'	GLCS-FS-1000-23 (S or AL)-83-12	Steel	20'	46	15	18 1/8	22 1/8	14 1/8	7 7/8	31	24'-6"	13'-11 5/8"	4	5	
	12'	AL-FS-1000-23-83-12	Alum	20'	46	15	22 1/8	-	13 1/8	7 7/8	31	24'-6"	14'-3 5/8"	4	5	
	14'	GLCS-FS-1000-23 (S or AL)-83-14	Steel	20'	46	15	18 1/8	22 1/8	14 1/8	7 7/8	31	24'-8"	15'-11 5/8"	5	5	
14'	AL-FS-1000-23-83-14	Alum	20'	46	15	22 1/8	-	13 1/8	7 7/8	31	24'-8"	16'-3 5/8"	5	5		
94'	10'	GLCSLX-FS-1000-23 (S or AL)-94-10	Steel	30'	54	15	24 1/8	28 1/8	14 1/8	7 7/8	31	24'-6"	12'-5 5/8"	4	4	
	12'	GLCSLX-FS-1000-23 (S or AL)-94-12	Steel	30'	54	15	24 1/8	28 1/8	14 1/8	7 7/8	31	24'-6"	14'-5 5/8"	4	4	
	14'	GLCSLX-FS-1000-23 (S or AL)-94-14	Steel	30'	54	15	24 1/8	28 1/8	14 1/8	7 7/8	31	24'-8"	16'-5 5/8"	5	4	
103'	10'	GLCS-FS-1000-23 (S or AL)-103-10	Steel	20'	54	15	18 1/8	22 1/8	14 1/8	7 7/8	31	24'-6"	11'-11 5/8"	4	6	
	10'	AL-FS-1000-23-103-10	Alum	20'	54	15	22 1/8	-	13 1/8	7 7/8	31	24'-6"	12'-3 5/8"	4	6	
	12'	GLCSL-FS-1000-23 (S or AL)-103-10	Steel	25'	54	15	21	25	14 1/8	7 7/8	31	24'-6"	12'-2 1/2"	4	5	
	12'	GLCS-FS-1000-23 (S or AL)-103-12	Steel	20'	54	15	18 1/8	22 1/8	14 1/8	7 7/8	31	24'-6"	13'-11 5/8"	4	6	
	12'	AL-FS-1000-23-103-12	Alum	20'	54	15	22 1/8	-	13 1/8	7 7/8	31	24'-6"	14'-3 5/8"	4	6	
	12'	GLCSL-FS-1000-23 (S or AL)-103-12	Steel	25'	54	15	21	25	14 1/8	7 7/8	31	24'-6"	14'-2 1/2"	4	5	
	14'	GLCS-FS-1000-23 (S or AL)-103-14	Steel	20'	54	15	18 1/8	22 1/8	14 1/8	7 7/8	31	24'-8"	15'-11 5/8"	5	6	
14'	AL-FS-1000-23-103-14	Alum	20'	54	15	22 1/8	-	13 1/8	7 7/8	31	24'-8"	16'-3 5/8"	5	6		
124'	10'	GLCSLX-FS-1000-23 (S or AL)-124-10	Steel	30'	54	15	24 1/8	28 1/8	14 1/8	7 7/8	31	24'-6"	12'-5 5/8"	4	5	
	12'	GLCSLX-FS-1000-23 (S or AL)-124-12	Steel	30'	54	15	24 1/8	28 1/8	14 1/8	7 7/8	31	24'-6"	14'-5 5/8"	4	5	
	14'	GLCSLX-FS-1000-23 (S or AL)-124-14	Steel	30'	54	15	24 1/8	28 1/8	14 1/8	7 7/8	31	24'-8"	16'-5 5/8"	5	5	

*This column provides the total number of support assemblies based on the "L1" dimensions shown. Support assemblies are designed to AISC specifications and do not require bracing. If no movement of the support assembly is preferred, then bracing to the building steel is recommended (not included).

To Determine Hook Coverage: [Bridge Travel on Runway = Runway Length - (2xL8)] by [Hoist Trolley Travel on Bridge = Bridge Length - L3 - L6] (L6 allows for festoon stack-up).

Corbel® Free Standing Work Station Bridge Crane Kits include: bridge, runways, the appropriate number of support assemblies, hoist trolley, end trucks, end stops, flat wire festooning, festoon gliders (festoon trolleys on steel runway lengths greater than 63' and all aluminum systems), festoon stack-up section, splice joints and hanger brackets. Hoist and anchor bolts provided by others.

Dimensions are for reference only and are subject to change without notice.

1000# CAPACITY

FREE STANDING WORK STATION CRANES

FREE STANDING WORK STATION BRIDGE CRANES

BRIDGE LENGTH (L)	RUNWAY LENGTH	TS	MODEL NUMBER	TRACK MAT.	RUNWAY			BRIDGE					SUPPORT STRUCTURE						
					MAX. L1	L7 in	L8 in	H3 in	H3A in	H4 in	L3 in	L6 in	OAW	OAH	D in	*tds			
28'	23'	10'	GLCS-FS-1000-28 (S or AL)-23-10	Steel	20'	9	21 1/8	20 1/2	23 3/4	17	7 7/8	33 3/8	29'-6"	12'-1"	4	2			
		10'	AL-FS-1000-28-23-10	Alum	20'	13	21	23 5/8	-	15 1/4	7 7/8	37 3/4	29'-6"	12'-5 1/8"	4	2			
		12'	GLCS-FS-1000-28 (S or AL)-23-12	Steel	20'	9	21 1/8	20 1/2	23 3/4	17	7 7/8	33 3/8	29'-6"	14'-1"	4	2			
		12'	AL-FS-1000-28-23-12	Alum	20'	13	21	23 5/8	-	15 1/4	7 7/8	37 3/4	29'-6"	14'-5 1/8"	4	2			
		14'	GLCS-FS-1000-28 (S or AL)-23-14	Steel	20'	9	21 1/8	20 1/2	23 3/4	17	7 7/8	33 3/8	29'-8"	16'-1"	5	2			
		14'	AL-FS-1000-28-23-14	Alum	20'	13	21	23 5/8	-	15 1/4	7 7/8	37 3/4	29'-8"	16'-5 1/8"	5	2			
	28'	28'	10'	GLCSL-FS-1000-28 (S or AL)-28-10	Steel	25'	9	21 1/8	23 3/8	26 5/8	17	7 7/8	33 3/8	29'-6"	12'-5 7/8"	4	2		
			12'	GLCSL-FS-1000-28 (S or AL)-28-12	Steel	25'	9	21 1/8	23 3/8	26 5/8	17	7 7/8	33 3/8	29'-6"	14'-5 7/8"	4	2		
			14'	GLCSL-FS-1000-28 (S or AL)-28-14	Steel	25'	9	21 1/8	23 3/8	26 5/8	17	7 7/8	33 3/8	29'-8"	16'-5 7/8"	5	2		
	33'	33'	10'	GLCS-FS-1000-28 (S or AL)-33-10	Steel	20'	9	21 1/8	20 1/2	23 3/4	17	7 7/8	33 3/8	29'-6"	12'-1"	4	3		
			10'	AL-FS-1000-28-33-10	Alum	20'	19	21	23 5/8	-	15 1/4	7 7/8	37 3/4	29'-6"	12'-5 1/8"	4	3		
			12'	GLCS-FS-1000-28 (S or AL)-33-12	Steel	20'	9	21 1/8	20 1/2	23 3/4	17	7 7/8	33 3/8	29'-6"	14'-1"	4	3		
			12'	AL-FS-1000-28-33-12	Alum	20'	19	21	23 5/8	-	15 1/4	7 7/8	37 3/4	29'-6"	14'-5 1/8"	4	3		
			14'	GLCS-FS-1000-28 (S or AL)-33-14	Steel	20'	9	21 1/8	20 1/2	23 3/4	17	7 7/8	33 3/8	29'-8"	16'-1"	5	3		
			14'	AL-FS-1000-28-33-14	Alum	20'	19	21	23 5/8	-	15 1/4	7 7/8	37 3/4	29'-8"	16'-5 1/8"	5	3		
	34'	34'	10'	GLCSLX-FS-1000-28 (S or AL)-34-10	Steel	30'	9	21 1/8	26 1/2	29 3/4	17	7 7/8	33 3/8	29'-6"	12'-8"	4	2		
			12'	GLCSLX-FS-1000-28 (S or AL)-34-12	Steel	30'	9	21 1/8	26 1/2	29 3/4	17	7 7/8	33 3/8	29'-6"	14'-8"	4	2		
			14'	GLCSLX-FS-1000-28 (S or AL)-34-14	Steel	30'	9	21 1/8	26 1/2	29 3/4	17	7 7/8	33 3/8	29'-8"	16'-8"	5	2		
	43'	43'	10'	GLCS-FS-1000-28 (S or AL)-43-10	Steel	20'	13	21 1/8	20 1/2	23 3/4	17	7 7/8	33 3/8	29'-6"	12'-1"	4	3		
			10'	AL-FS-1000-28-43-10	Alum	20'	26	21	23 5/8	-	15 1/4	7 7/8	37 3/4	29'-6"	12'-5 1/8"	4	3		
			12'	GLCS-FS-1000-28 (S or AL)-43-12	Steel	20'	13	21 1/8	20 1/2	23 3/4	17	7 7/8	33 3/8	29'-6"	14'-1"	4	3		
			12'	AL-FS-1000-28-43-12	Alum	20'	26	21	23 5/8	-	15 1/4	7 7/8	37 3/4	29'-6"	14'-5 1/8"	4	3		
			14'	GLCS-FS-1000-28 (S or AL)-43-14	Steel	20'	13	21 1/8	20 1/2	23 3/4	17	7 7/8	33 3/8	29'-8"	16'-1"	5	3		
			14'	AL-FS-1000-28-43-14	Alum	20'	26	21	23 5/8	-	15 1/4	7 7/8	37 3/4	29'-8"	16'-5 1/8"	5	3		
	53'	53'	10'	GLCS-FS-1000-28 (S or AL)-53-10	Steel	20'	13	21 1/8	20 1/2	23 3/4	17	7 7/8	33 3/8	29'-6"	12'-1"	4	4		
			10'	AL-FS-1000-28-53-10	Alum	20'	30	21	23 5/8	-	15 1/4	7 7/8	37 3/4	29'-6"	12'-5 1/8"	4	4		
			10'	GLCSL-FS-1000-28 (S or AL)-53-10	Steel	25'	13	21 1/8	23 3/8	26 5/8	17	7 7/8	33 3/8	29'-6"	12'-5 7/8"	4	3		
			12'	GLCS-FS-1000-28 (S or AL)-53-12	Steel	20'	13	21 1/8	20 1/2	23 3/4	17	7 7/8	33 3/8	29'-6"	14'-1"	4	4		
			12'	AL-FS-1000-28-53-12	Alum	20'	30	21	23 5/8	-	15 1/4	7 7/8	37 3/4	29'-6"	14'-5 1/8"	4	4		
			12'	GLCSL-FS-1000-28 (S or AL)-53-12	Steel	25'	13	21 1/8	23 3/8	26 5/8	17	7 7/8	33 3/8	29'-6"	14'-5 7/8"	4	3		
			14'	GLCS-FS-1000-28 (S or AL)-53-14	Steel	20'	13	21 1/8	20 1/2	23 3/4	17	7 7/8	33 3/8	29'-8"	16'-1"	5	4		
			14'	AL-FS-1000-28-53-14	Alum	20'	30	21	23 5/8	-	15 1/4	7 7/8	37 3/4	29'-8"	16'-5 1/8"	5	4		
			14'	GLCSL-FS-1000-28 (S or AL)-53-14	Steel	25'	13	21 1/8	23 3/8	26 5/8	17	7 7/8	33 3/8	29'-8"	16'-5 7/8"	5	3		
			63'	63'	10'	GLCS-FS-1000-28 (S or AL)-63-10	Steel	20'	19	21 1/8	20 1/2	23 3/4	17	7 7/8	33 3/8	29'-6"	12'-1"	4	4
	10'	AL-FS-1000-28-63-10			Alum	20'	36	21	23 5/8	-	15 1/4	7 7/8	37 3/4	29'-6"	12'-5 1/8"	4	4		
	12'	GLCS-FS-1000-28 (S or AL)-63-12			Steel	20'	19	21 1/8	20 1/2	23 3/4	17	7 7/8	33 3/8	29'-6"	14'-1"	4	4		
	12'	AL-FS-1000-28-63-12			Alum	20'	36	21	23 5/8	-	15 1/4	7 7/8	37 3/4	29'-6"	14'-5 1/8"	4	4		
	14'	GLCS-FS-1000-28 (S or AL)-63-14			Steel	20'	19	21 1/8	20 1/2	23 3/4	17	7 7/8	33 3/8	29'-8"	16'-1"	5	4		
	14'	AL-FS-1000-28-63-14			Alum	20'	36	21	23 5/8	-	15 1/4	7 7/8	37 3/4	29'-8"	16'-5 1/8"	5	4		
	64'	64'			10'	GLCSLX-FS-1000-28 (S or AL)-64-10	Steel	30'	36	21 1/8	26 1/2	29 3/4	17	7 7/8	37 3/4	29'-6"	12'-8"	4	3
					12'	GLCSLX-FS-1000-28 (S or AL)-64-12	Steel	30'	36	21 1/8	26 1/2	29 3/4	17	7 7/8	37 3/4	29'-6"	14'-8"	4	3
					14'	GLCSLX-FS-1000-28 (S or AL)-64-14	Steel	30'	36	21 1/8	26 1/2	29 3/4	17	7 7/8	37 3/4	29'-8"	16'-8"	5	3
	78'	78'			10'	GLCSL-FS-1000-28 (S or AL)-78-10	Steel	25'	46	21 1/8	23 3/8	26 5/8	17	7 7/8	37 3/4	29'-6"	12'-5 7/8"	4	4
			12'	GLCSL-FS-1000-28 (S or AL)-78-12	Steel	25'	46	21 1/8	23 3/8	26 5/8	17	7 7/8	37 3/4	29'-6"	14'-5 7/8"	4	4		
			14'	GLCSL-FS-1000-28 (S or AL)-78-14	Steel	25'	46	21 1/8	23 3/8	26 5/8	17	7 7/8	37 3/4	29'-8"	16'-5 7/8"	5	4		
	83'	83'	10'	GLCS-FS-1000-28 (S or AL)-83-10	Steel	20'	46	21 1/8	20 1/2	23 3/4	17	7 7/8	37 3/4	29'-6"	12'-1"	4	5		
			10'	AL-FS-1000-28-83-10	Alum	20'	46	21	23 5/8	-	15 1/4	7 7/8	37 3/4	29'-6"	12'-5 1/8"	4	5		
			12'	GLCS-FS-1000-28 (S or AL)-83-12	Steel	20'	46	21 1/8	20 1/2	23 3/4	17	7 7/8	37 3/4	29'-6"	14'-1"	4	5		
			12'	AL-FS-1000-28-83-12	Alum	20'	46	21	23 5/8	-	15 1/4	7 7/8	37 3/4	29'-6"	14'-5 1/8"	4	5		
			14'	GLCS-FS-1000-28 (S or AL)-83-14	Steel	20'	46	21 1/8	20 1/2	23 3/4	17	7 7/8	37 3/4	29'-8"	16'-1"	5	5		
			14'	AL-FS-1000-28-83-14	Alum	20'	46	21	23 5/8	-	15 1/4	7 7/8	37 3/4	29'-8"	16'-5 1/8"	5	5		
	94'	94'	10'	GLCSLX-FS-1000-28 (S or AL)-94-10	Steel	30'	54	21 1/8	26 1/2	29 3/4	17	7 7/8	37 3/4	29'-6"	12'-8"	4	4		
			12'	GLCSLX-FS-1000-28 (S or AL)-94-12	Steel	30'	54	21 1/8	26 1/2	29 3/4	17	7 7/8	37 3/4	29'-6"	14'-8"	4	4		
			14'	GLCSLX-FS-1000-28 (S or AL)-94-14	Steel	30'	54	21 1/8	26 1/2	29 3/4	17	7 7/8	37 3/4	29'-8"	16'-8"	5	4		
	103'	103'	10'	GLCS-FS-1000-28 (S or AL)-103-10	Steel	20'	54	21 1/8	20 1/2	23 3/4	17	7 7/8	37 3/4	29'-6"	12'-1"	4	6		
			10'	AL-FS-1000-28-103-10	Alum	20'	54	21	23 5/8	-	15 1/4	7 7/8	37 3/4	29'-6"	12'-5 1/8"	4	6		
			10'	GLCSL-FS-1000-28 (S or AL)-103-10	Steel	25'	54	21 1/8	23 3/8	26 5/8	17	7 7/8	37 3/4	29'-6"	12'-5 7/8"	4	5		
			12'	GLCS-FS-1000-28 (S or AL)-103-12	Steel	20'	54	21 1/8	20 1/2	23 3/4	17	7 7/8	37 3/4	29'-6"	14'-1"	4	6		
			12'	AL-FS-1000-28-103-12	Alum	20'	54	21	23 5/8	-	15 1/4	7 7/8	37 3/4	29'-6"	14'-5 1/8"	4	6		
			12'	GLCSL-FS-1000-28 (S or AL)-103-12	Steel	25'	54	21 1/8	23 3/8	26 5/8	17	7 7/8	37 3/4	29'-6"	14'-5 7/8"	4	5		
			14'	GLCS-FS-1000-28 (S or AL)-103-14	Steel	20'	54	21 1/8	20 1/2	23 3/4	17	7 7/8	37 3/4	29'-8"	16'-1"	5	6		
			14'	AL-FS-1000-28-103-14	Alum	20'	54	21	23 5/8	-	15 1/4	7 7/8	37 3/4	29'-8"	16'-5 1/8"	5	6		
	124'	124'	10'	GLCSLX-FS-1000-28 (S or AL)-124-10	Steel	30'	54	21 1/8	26 1/2	29 3/4	17	7 7/8	37 3/4	29'-6"	12'-8"	4	5		
			12'	GLCSLX-FS-1000-28 (S or AL)-124-12	Steel	30'	54	21 1/8	26 1/2	29 3/4	17	7 7/8	37 3/4	29'-6"	14'-8"	4	5		
			14'	GLCSLX-FS-1000-28 (S or AL)-124-14	Steel	30'	54	21 1/8	26 1/2	29 3/4	17	7 7/8	37 3/4	29'-8"	16'-8"	5	5		

*This column provides the total number of support assemblies based on the "L1" dimensions shown. Support assemblies are designed to AISC specifications and do not require bracing. If no movement of the support assembly is preferred, then bracing to the building steel is recommended (not included).

To Determine Hook Coverage: [Bridge Travel on Runway = Runway Length - (2xL8)] by [Hoist Trolley Travel on Bridge = Bridge Length - L3 - L6] (L6 allows for festoon stack-up).

Corbel® Free Standing Work Station Bridge Crane Kits include: bridge, runways, the appropriate number of support assemblies, hoist trolley, end trucks, end stops, flat wire festooning, festoon gliders (festoon trolleys on steel runway lengths greater than 63' and all aluminum systems), festoon stack-up section, splice joints and hanger brackets. Hoist and anchor bolts provided by others.

Dimensions are for reference only and are subject to change without notice.

FREE STANDING WORK STATION BRIDGE CRANES

FREE STANDING WORK STATION CRANES

BRIDGE LENGTH (L)	RUNWAY LENGTH	TS	MODEL NUMBER	TRACK MAT.	RUNWAY			BRIDGE					SUPPORT STRUCTURE			
					MAX. L1	L7 in	L8 in	H3 in	H3A in	H4 in	L3 in	L6 in	OAW	OAH	D in	Spt*
34'	28'	10'	GLCSL-FS-1000-34 (S or AL)-28-10	Steel	25'	13	21 7/8	23 3/8	26 5/8	20 1/8	7 7/8	39 3/8	35'-6"	12'-6 7/8"	4	2
		12'	GLCSL-FS-1000-34 (S or AL)-28-12	Steel	25'	13	21 7/8	23 3/8	26 5/8	20 1/8	7 7/8	39 3/8	35'-6"	14'-6 7/8"	4	2
		14'	GLCSL-FS-1000-34 (S or AL)-28-14	Steel	25'	13	21 7/8	23 3/8	26 5/8	20 1/8	7 7/8	39 3/8	35'-8"	16'-6 7/8"	5	2
	33'	10'	GLCS-FS-1000-34 (S or AL)-33-10	Steel	20'	9	21 7/8	23 1/2	23 3/4	20 1/8	7 7/8	39 3/8	35'-6"	12'-6"	4	3
		10'	AL-FS-1000-34-33-10	Alum	20'	19	21	23 5/8	-	16 3/4	7 7/8	44 1/2	35'-6"	12'-7 1/8"	4	3
		12'	GLCS-FS-1000-34 (S or AL)-33-12	Steel	20'	9	21 7/8	23 1/2	23 3/4	20 1/8	7 7/8	39 3/8	35'-6"	14'-6"	4	3
		12'	AL-FS-1000-34-33-12	Alum	20'	19	21	23 5/8	-	16 3/4	7 7/8	44 1/2	35'-6"	14'-7 1/8"	4	3
		14'	GLCS-FS-1000-34 (S or AL)-33-14	Steel	20'	9	21 7/8	23 1/2	23 3/4	20 1/8	7 7/8	39 3/8	35'-8"	16'-6"	5	3
	34'	10'	AL-FS-1000-34-33-14	Alum	20'	19	21	23 5/8	-	16 3/4	7 7/8	44 1/2	35'-8"	16'-7 1/8"	5	3
		12'	GLCSLX-FS-1000-34 (S or AL)-34-12	Steel	30'	9	21 7/8	26 1/2	29 3/4	20 1/8	7 7/8	39 3/8	35'-6"	14'-9"	4	2
		14'	GLCSLX-FS-1000-34 (S or AL)-34-14	Steel	30'	9	21 7/8	26 1/2	29 3/4	20 1/8	7 7/8	39 3/8	35'-8"	16'-9"	5	2
	43'	10'	GLCS-FS-1000-34 (S or AL)-43-10	Steel	20'	13	21 7/8	23 1/2	23 3/4	20 1/8	7 7/8	39 3/8	35'-6"	12'-6"	4	3
10'		AL-FS-1000-34-43-10	Alum	20'	26	21	23 5/8	-	16 3/4	7 7/8	44 1/2	35'-6"	12'-7 1/8"	4	3	
12'		GLCS-FS-1000-34 (S or AL)-43-12	Steel	20'	13	21 7/8	23 1/2	23 3/4	20 1/8	7 7/8	39 3/8	35'-6"	14'-6"	4	3	
12'		AL-FS-1000-34-43-12	Alum	20'	26	21	23 5/8	-	16 3/4	7 7/8	44 1/2	35'-6"	14'-7 1/8"	4	3	
14'		GLCS-FS-1000-34 (S or AL)-43-14	Steel	20'	13	21 7/8	23 1/2	23 3/4	20 1/8	7 7/8	39 3/8	35'-8"	16'-6"	5	3	
43'	14'	AL-FS-1000-34-43-14	Alum	20'	26	21	23 5/8	-	16 3/4	7 7/8	44 1/2	35'-8"	16'-7 1/8"	5	3	
	53'	10'	GLCS-FS-1000-34 (S or AL)-53-10	Steel	20'	13	21 7/8	23 1/2	23 3/4	20 1/8	7 7/8	39 3/8	35'-6"	12'-6"	4	4
		10'	AL-FS-1000-34-53-10	Alum	20'	30	21	23 5/8	-	16 3/4	7 7/8	44 1/2	35'-6"	12'-7 1/8"	4	4
10'		GLCSL-FS-1000-34 (S or AL)-53-10	Steel	25'	13	21 7/8	23 3/8	26 5/8	20 1/8	7 7/8	39 3/8	35'-6"	12'-6 7/8"	4	3	
12'		GLCS-FS-1000-34 (S or AL)-53-12	Steel	20'	13	21 7/8	23 1/2	23 3/4	20 1/8	7 7/8	39 3/8	35'-6"	14'-6"	4	4	
12'		AL-FS-1000-34-53-12	Alum	20'	30	21	23 5/8	-	16 3/4	7 7/8	44 1/2	35'-6"	14'-7 1/8"	4	4	
12'		GLCSL-FS-1000-34 (S or AL)-53-12	Steel	25'	13	21 7/8	23 3/8	26 5/8	20 1/8	7 7/8	39 3/8	35'-6"	14'-6 7/8"	4	3	
14'		GLCS-FS-1000-34 (S or AL)-53-14	Steel	20'	13	21 7/8	23 1/2	23 3/4	20 1/8	7 7/8	39 3/8	35'-8"	16'-6"	5	4	
14'		AL-FS-1000-34-53-14	Alum	20'	30	21	23 5/8	-	16 3/4	7 7/8	44 1/2	35'-8"	16'-7 1/8"	5	4	
14'		GLCSL-FS-1000-34 (S or AL)-53-14	Steel	25'	13	21 7/8	23 3/8	26 5/8	20 1/8	7 7/8	39 3/8	35'-8"	16'-6 7/8"	5	3	
63'	10'	GLCS-FS-1000-34 (S or AL)-63-10	Steel	20'	19	21 7/8	23 1/2	23 3/4	20 1/8	7 7/8	39 3/8	35'-6"	12'-6"	4	4	
	10'	AL-FS-1000-34-63-10	Alum	20'	36	21	23 5/8	-	16 3/4	7 7/8	44 1/2	35'-6"	12'-7 1/8"	4	4	
	12'	GLCS-FS-1000-34 (S or AL)-63-12	Steel	20'	19	21 7/8	23 1/2	23 3/4	20 1/8	7 7/8	39 3/8	35'-6"	14'-6"	4	4	
	12'	AL-FS-1000-34-63-12	Alum	20'	36	21	23 5/8	-	16 3/4	7 7/8	44 1/2	35'-6"	14'-7 1/8"	4	4	
	14'	GLCS-FS-1000-34 (S or AL)-63-14	Steel	20'	19	21 7/8	23 1/2	23 3/4	20 1/8	7 7/8	39 3/8	35'-8"	16'-6"	5	4	
64'	14'	AL-FS-1000-34-63-14	Alum	20'	36	21	23 5/8	-	16 3/4	7 7/8	44 1/2	35'-8"	16'-7 1/8"	5	4	
	10'	GLCSLX-FS-1000-34 (S or AL)-64-10	Steel	30'	36	21 7/8	26 1/2	29 3/4	20 1/8	7 7/8	44 1/2	35'-6"	12'-9"	4	3	
	12'	GLCSLX-FS-1000-34 (S or AL)-64-12	Steel	30'	36	21 7/8	26 1/2	29 3/4	20 1/8	7 7/8	44 1/2	35'-6"	14'-9"	4	3	
78'	14'	GLCSLX-FS-1000-34 (S or AL)-64-14	Steel	30'	36	21 7/8	26 1/2	29 3/4	20 1/8	7 7/8	44 1/2	35'-8"	16'-9"	5	3	
	10'	GLCSL-FS-1000-34 (S or AL)-78-10	Steel	25'	46	21 7/8	23 3/8	26 5/8	20 1/8	7 7/8	44 1/2	35'-6"	12'-6 7/8"	4	4	
	12'	GLCSL-FS-1000-34 (S or AL)-78-12	Steel	25'	46	21 7/8	23 3/8	26 5/8	20 1/8	7 7/8	44 1/2	35'-6"	14'-6 7/8"	4	4	
83'	14'	GLCSL-FS-1000-34 (S or AL)-78-14	Steel	25'	46	21 7/8	23 3/8	26 5/8	20 1/8	7 7/8	44 1/2	35'-8"	16'-6 7/8"	5	4	
	10'	GLCS-FS-1000-34 (S or AL)-83-10	Steel	20'	46	21 7/8	23 1/2	23 3/4	20 1/8	7 7/8	44 1/2	35'-6"	12'-6"	4	5	
	10'	AL-FS-1000-34-83-10	Alum	20'	46	21	23 5/8	-	16 3/4	7 7/8	44 1/2	35'-6"	12'-7 1/8"	4	5	
	12'	GLCS-FS-1000-34 (S or AL)-83-12	Steel	20'	46	21 7/8	23 1/2	23 3/4	20 1/8	7 7/8	44 1/2	35'-6"	14'-6"	4	5	
	12'	AL-FS-1000-34-83-12	Alum	20'	46	21	23 5/8	-	16 3/4	7 7/8	44 1/2	35'-6"	14'-7 1/8"	4	5	
94'	14'	GLCS-FS-1000-34 (S or AL)-83-14	Steel	20'	46	21 7/8	23 1/2	23 3/4	20 1/8	7 7/8	44 1/2	35'-8"	16'-6"	5	5	
	14'	AL-FS-1000-34-83-14	Alum	20'	46	21	23 5/8	-	16 3/4	7 7/8	44 1/2	35'-8"	16'-7 1/8"	5	5	
	10'	GLCSLX-FS-1000-34 (S or AL)-94-10	Steel	30'	54	21 7/8	26 1/2	29 3/4	20 1/8	7 7/8	44 1/2	35'-6"	12'-9"	4	4	
	12'	GLCSLX-FS-1000-34 (S or AL)-94-12	Steel	30'	54	21 7/8	26 1/2	29 3/4	20 1/8	7 7/8	44 1/2	35'-6"	14'-9"	4	4	
	14'	GLCSLX-FS-1000-34 (S or AL)-94-14	Steel	30'	54	21 7/8	26 1/2	29 3/4	20 1/8	7 7/8	44 1/2	35'-8"	16'-9"	5	4	
103'	10'	GLCS-FS-1000-34 (S or AL)-103-10	Steel	20'	54	21 7/8	23 1/2	23 3/4	20 1/8	7 7/8	44 1/2	35'-6"	12'-6"	4	6	
	10'	AL-FS-1000-34-103-10	Alum	20'	54	21	23 5/8	-	16 3/4	7 7/8	44 1/2	35'-6"	12'-7 1/8"	4	6	
	10'	GLCSL-FS-1000-34 (S or AL)-103-10	Steel	25'	54	21 7/8	23 3/8	26 5/8	20 1/8	7 7/8	44 1/2	35'-6"	12'-6 7/8"	4	5	
	12'	GLCS-FS-1000-34 (S or AL)-103-12	Steel	20'	54	21 7/8	23 1/2	23 3/4	20 1/8	7 7/8	44 1/2	35'-6"	14'-6"	4	6	
	12'	AL-FS-1000-34-103-12	Alum	20'	54	21	23 5/8	-	16 3/4	7 7/8	44 1/2	35'-6"	14'-7 1/8"	4	6	
	12'	GLCSL-FS-1000-34 (S or AL)-103-12	Steel	25'	54	21 7/8	23 3/8	26 5/8	20 1/8	7 7/8	44 1/2	35'-6"	14'-6 7/8"	4	5	
	14'	GLCS-FS-1000-34 (S or AL)-103-14	Steel	20'	54	21 7/8	23 1/2	23 3/4	20 1/8	7 7/8	44 1/2	35'-8"	16'-6"	5	6	
124'	14'	AL-FS-1000-34-103-14	Alum	20'	54	21	23 5/8	-	16 3/4	7 7/8	44 1/2	35'-8"	16'-7 1/8"	5	6	
	14'	GLCSL-FS-1000-34 (S or AL)-103-14	Steel	25'	54	21 7/8	23 3/8	26 5/8	20 1/8	7 7/8	44 1/2	35'-8"	16'-6 7/8"	5	5	
	10'	GLCSLX-FS-1000-34 (S or AL)-124-10	Steel	30'	54	21 7/8	26 1/2	29 3/4	20 1/8	7 7/8	44 1/2	35'-6"	12'-9"	4	5	
124'	12'	GLCSLX-FS-1000-34 (S or AL)-124-12	Steel	30'	54	21 7/8	26 1/2	29 3/4	20 1/8	7 7/8	44 1/2	35'-6"	14'-9"	4	5	
	14'	GLCSLX-FS-1000-34 (S or AL)-124-14	Steel	30'	54	21 7/8	26 1/2	29 3/4	20 1/8	7 7/8	44 1/2	35'-8"	16'-9"	5	5	

*This column provides the total number of support assemblies based on the "L1" dimensions shown. Support assemblies are designed to AISC specifications and do not require bracing. If no movement of the support assembly is preferred, then bracing to the building steel is recommended (not included).

To Determine Hook Coverage: [Bridge Travel on Runway = Runway Length - (2xL8)] by [Hoist Trolley Travel on Bridge = Bridge Length - L3 - L6] (L6 allows for festoon stack-up).

Gorbel® Free Standing Work Station Bridge Crane Kits include: bridge, runways, the appropriate number of support assemblies, hoist trolley, end trucks, end stops, flat wire festooning, festoon gliders (festoon trolleys on steel runway lengths greater than 63' and all aluminum systems), festoon stack-up section, splice joints and hanger brackets. Hoist and anchor bolts provided by others.

Dimensions are for reference only and are subject to change without notice.

2000# CAPACITY

FREE STANDING WORK STATION CRANES

FREE STANDING WORK STATION BRIDGE CRANES

BRIDGE LENGTH (L)	RUNWAY LENGTH	TS	MODEL NUMBER	TRACK MAT.	RUNWAY			BRIDGE					SUPPORT STRUCTURE			
					MAX. L1	L7 in	L8 in	H3 in	H3A in	H5 in	L3 in	L6 in	OAW	OAH	D in	*tds
10'	11'-6"	10'	GLCS-FS-2000-10 (S or AL)-11.5-10	Steel	20'	9	16 1/8	19 5/8	25	8 7/8	8 1/8	25	11'-8"	12'-0 1/8"	5	2
		12'	GLCS-FS-2000-10 (S or AL)-11.5-12	Steel	20'	9	16 1/8	19 5/8	25	8 7/8	8 1/8	25	11'-8"	15'-0 1/8"	5	2
		15'	GLCSL-FS-2000-10 (S or AL)-11.5-15	Steel	20'	9	16 1/8	19 5/8	25	8 7/8	8 1/8	25	11'-8"	16'-1 1/8"	5	2
	23'	10'	GLCS-FS-2000-10 (S or AL)-23-10	Steel	20'	9	16 1/8	19 5/8	24	8 7/8	8 1/8	24	11'-8"	12'-0 1/8"	5	2
		10'	AL-FS-2000-10-23-10	Alum	20'	13	17	25 1/4	-	13 3/8	8	17 5/8	11'-8"	12'-5 3/4"	5	2
		12'	GLCS-FS-2000-10 (S or AL)-23-12	Steel	20'	9	16 1/8	19 5/8	24	8 7/8	8 1/8	24	11'-8"	14'-0 1/8"	5	2
		12'	AL-FS-2000-10-23-12	Alum	20'	13	17	25 1/4	-	13 3/8	8	17 5/8	11'-8"	14'-5 3/4"	5	2
		14'	GLCS-FS-2000-10 (S or AL)-23-14	Steel	20'	9	16 1/8	19 5/8	24	8 7/8	8 1/8	24	11'-8"	16'-1 1/8"	5	2
	28'	10'	GLCSL-FS-2000-10 (S or AL)-28-10	Steel	25'	13	16 1/8	23	27 3/8	8 7/8	8 1/8	24	11'-8"	12'-4 1/2"	5	2
		12'	GLCSL-FS-2000-10 (S or AL)-28-12	Steel	25'	13	16 1/8	23	27 3/8	8 7/8	8 1/8	24	11'-8"	14'-4 1/2"	5	2
		14'	GLCSL-FS-2000-10 (S or AL)-28-14	Steel	25'	13	16 1/8	23	27 3/8	8 7/8	8 1/8	24	11'-8"	16'-4 1/2"	5	2
	33'	10'	GLCS-FS-2000-10 (S or AL)-33-10	Steel	20'	13	16 1/8	19 5/8	24	8 7/8	8 1/8	24	11'-8"	12'-0 1/8"	5	3
		10'	AL-FS-2000-10-33-10	Alum	20'	19	17	25 1/4	-	13 3/8	8	17 5/8	11'-8"	12'-5 3/4"	5	3
		12'	GLCS-FS-2000-10 (S or AL)-33-12	Steel	20'	13	16 1/8	19 5/8	24	8 7/8	8 1/8	24	11'-8"	14'-0 1/8"	5	3
		12'	AL-FS-2000-10-33-12	Alum	20'	19	17	25 1/4	-	13 3/8	8	17 5/8	11'-8"	14'-5 3/4"	5	3
		14'	GLCS-FS-2000-10 (S or AL)-33-14	Steel	20'	13	16 1/8	19 5/8	24	8 7/8	8 1/8	24	11'-8"	16'-1 1/8"	5	3
	34'	10'	AL-FS-2000-10-33-14	Alum	20'	19	17	25 1/4	-	13 3/8	8	17 5/8	11'-8"	16'-6 3/4"	5	3
		10'	GLCSLX-FS-2000-10 (S or AL)-34-10	Steel	30'	13	16 1/8	25 5/8	30	8 7/8	8 1/8	24	11'-8"	12'-7 1/8"	5	2
		12'	GLCSLX-FS-2000-10 (S or AL)-34-12	Steel	30'	13	16 1/8	25 5/8	30	8 7/8	8 1/8	24	11'-8"	14'-7 1/8"	5	2
	43'	10'	GLCSLX-FS-2000-10 (S or AL)-34-14	Steel	30'	13	16 1/8	25 5/8	30	8 7/8	8 1/8	24	11'-8"	16'-7 1/8"	5	2
		10'	GLCS-FS-2000-10 (S or AL)-43-10	Steel	20'	19	16 1/8	19 5/8	24	8 7/8	8 1/8	24	11'-8"	12'-0 1/8"	5	3
		10'	AL-FS-2000-10-43-10	Alum	20'	26	17	25 1/4	-	13 3/8	8	17 5/8	11'-8"	12'-5 3/4"	5	3
		12'	GLCS-FS-2000-10 (S or AL)-43-12	Steel	20'	19	16 1/8	19 5/8	24	8 7/8	8 1/8	24	11'-8"	14'-0 1/8"	5	3
		12'	AL-FS-2000-10-43-12	Alum	20'	26	17	25 1/4	-	13 3/8	8	17 5/8	11'-8"	14'-5 3/4"	5	3
	53'	10'	GLCS-FS-2000-10 (S or AL)-43-14	Steel	20'	19	16 1/8	19 5/8	24	8 7/8	8 1/8	24	11'-8"	16'-1 1/8"	5	3
		10'	AL-FS-2000-10-43-14	Alum	20'	26	17	25 1/4	-	13 3/8	8	17 5/8	11'-8"	16'-6 3/4"	5	3
		10'	GLCS-FS-2000-10 (S or AL)-53-10	Steel	20'	19	16 1/8	19 5/8	24	8 7/8	8 1/8	24	11'-8"	12'-0 1/8"	5	4
		10'	AL-FS-2000-10-53-10	Alum	20'	30	17	25 1/4	-	13 3/8	8	17 5/8	11'-8"	12'-5 3/4"	5	4
		10'	GLCSL-FS-2000-10 (S or AL)-53-10	Steel	25'	19	16 1/8	23	27 3/8	8 7/8	8 1/8	24	11'-8"	12'-4 1/2"	5	3
		12'	GLCS-FS-2000-10 (S or AL)-53-12	Steel	20'	19	16 1/8	19 5/8	24	8 7/8	8 1/8	24	11'-8"	14'-0 1/8"	5	4
		12'	AL-FS-2000-10-53-12	Alum	20'	30	17	25 1/4	-	13 3/8	8	17 5/8	11'-8"	14'-5 3/4"	5	4
		12'	GLCSL-FS-2000-10 (S or AL)-53-12	Steel	25'	19	16 1/8	23	27 3/8	8 7/8	8 1/8	24	11'-8"	14'-4 1/2"	5	3
		14'	GLCS-FS-2000-10 (S or AL)-53-14	Steel	20'	19	16 1/8	19 5/8	24	8 7/8	8 1/8	24	11'-8"	16'-1 1/8"	5	4
		14'	AL-FS-2000-10-53-14	Alum	20'	30	17	25 1/4	-	13 3/8	8	17 5/8	11'-8"	16'-6 3/4"	5	4
	63'	10'	GLCSL-FS-2000-10 (S or AL)-53-14	Steel	25'	19	16 1/8	23	27 3/8	8 7/8	8 1/8	24	11'-8"	16'-4 1/2"	5	3
		10'	GLCS-FS-2000-10 (S or AL)-63-10	Steel	20'	26	16 1/8	19 5/8	24	8 7/8	8 1/8	24	11'-8"	12'-0 1/8"	5	4
		10'	AL-FS-2000-10-63-10	Alum	20'	36	17	25 1/4	-	13 3/8	8	17 5/8	11'-8"	12'-5 3/4"	5	4
		12'	GLCS-FS-2000-10 (S or AL)-63-12	Steel	20'	26	16 1/8	19 5/8	24	8 7/8	8 1/8	24	11'-8"	14'-0 1/8"	5	4
		12'	AL-FS-2000-10-63-12	Alum	20'	36	17	25 1/4	-	13 3/8	8	17 5/8	11'-8"	14'-5 3/4"	5	4
	64'	10'	GLCS-FS-2000-10 (S or AL)-63-14	Steel	20'	26	16 1/8	19 5/8	24	8 7/8	8 1/8	24	11'-8"	16'-1 1/8"	5	4
		10'	AL-FS-2000-10-63-14	Alum	20'	36	17	25 1/4	-	13 3/8	8	17 5/8	11'-8"	16'-6 3/4"	5	4
		12'	GLCSLX-FS-2000-10 (S or AL)-64-10	Steel	30'	36	16 1/8	25 5/8	30	8 7/8	8 1/8	24	11'-8"	12'-7 1/8"	5	3
	78'	10'	GLCSLX-FS-2000-10 (S or AL)-64-12	Steel	30'	36	16 1/8	25 5/8	30	8 7/8	8 1/8	24	11'-8"	14'-7 1/8"	5	3
		10'	GLCSLX-FS-2000-10 (S or AL)-64-14	Steel	30'	36	16 1/8	25 5/8	30	8 7/8	8 1/8	24	11'-8"	16'-7 1/8"	5	3
		10'	GLCSL-FS-2000-10 (S or AL)-78-10	Steel	25'	46	16 1/8	23	27 3/8	8 7/8	8 1/8	24	11'-8"	12'-4 1/2"	5	4
	83'	10'	GLCSL-FS-2000-10 (S or AL)-78-12	Steel	25'	46	16 1/8	23	27 3/8	8 7/8	8 1/8	24	11'-8"	14'-4 1/2"	5	4
		10'	GLCSL-FS-2000-10 (S or AL)-78-14	Steel	25'	46	16 1/8	23	27 3/8	8 7/8	8 1/8	24	11'-8"	16'-4 1/2"	5	4
		10'	GLCS-FS-2000-10 (S or AL)-83-10	Steel	20'	46	16 1/8	19 5/8	24	8 7/8	8 1/8	24	11'-8"	12'-0 1/8"	5	5
		10'	AL-FS-2000-10-83-10	Alum	20'	46	17	25 1/4	-	13 3/8	8	17 5/8	11'-8"	12'-5 3/4"	5	5
		12'	GLCS-FS-2000-10 (S or AL)-83-12	Steel	20'	46	16 1/8	19 5/8	24	8 7/8	8 1/8	24	11'-8"	14'-0 1/8"	5	5
	94'	10'	AL-FS-2000-10-83-12	Alum	20'	46	17	25 1/4	-	13 3/8	8	17 5/8	11'-8"	14'-5 3/4"	5	5
		10'	GLCS-FS-2000-10 (S or AL)-83-14	Steel	20'	46	16 1/8	19 5/8	24	8 7/8	8 1/8	24	11'-8"	16'-1 1/8"	5	5
		10'	AL-FS-2000-10-83-14	Alum	20'	46	17	25 1/4	-	13 3/8	8	17 5/8	11'-8"	16'-6 3/4"	5	5
		10'	GLCSLX-FS-2000-10 (S or AL)-94-10	Steel	30'	54	16 1/8	25 5/8	30	8 7/8	8 1/8	24	11'-8"	12'-7 1/8"	5	4
		12'	GLCSLX-FS-2000-10 (S or AL)-94-12	Steel	30'	54	16 1/8	25 5/8	30	8 7/8	8 1/8	24	11'-8"	14'-7 1/8"	5	4
	103'	10'	GLCSLX-FS-2000-10 (S or AL)-94-14	Steel	30'	54	16 1/8	25 5/8	30	8 7/8	8 1/8	24	11'-8"	16'-7 1/8"	5	4
		10'	GLCS-FS-2000-10 (S or AL)-103-10	Steel	20'	54	16 1/8	19 5/8	24	8 7/8	8 1/8	24	11'-8"	12'-0 1/8"	5	6
		10'	AL-FS-2000-10-103-10	Alum	20'	54	17	25 1/4	-	13 3/8	8	17 5/8	11'-8"	12'-5 3/4"	5	6
		10'	GLCSL-FS-2000-10 (S or AL)-103-10	Steel	25'	54	16 1/8	23	27 3/8	8 7/8	8 1/8	24	11'-8"	12'-4 1/2"	5	5
		12'	GLCS-FS-2000-10 (S or AL)-103-12	Steel	20'	54	16 1/8	19 5/8	24	8 7/8	8 1/8	24	11'-8"	14'-0 1/8"	5	6
		12'	AL-FS-2000-10-103-12	Alum	20'	54	17	25 1/4	-	13 3/8	8	17 5/8	11'-8"	14'-5 3/4"	5	6
		12'	GLCSL-FS-2000-10 (S or AL)-103-12	Steel	25'	54	16 1/8	23	27 3/8	8 7/8	8 1/8	24	11'-8"	14'-4 1/2"	5	5
		14'	GLCS-FS-2000-10 (S or AL)-103-14	Steel	20'	54	16 1/8	19 5/8	24	8 7/8	8 1/8	24	11'-8"	16'-1 1/8"	5	6
		14'	AL-FS-2000-10-103-14	Alum	20'	54	17	25 1/4	-	13 3/8	8	17 5/8	11'-8"	16'-6 3/4"	5	6
	124'	10'	GLCSL-FS-2000-10 (S or AL)-103-14	Steel	25'	54	16 1/8	23	27 3/8	8 7/8	8 1/8	24	11'-8"	16'-4 1/2"	5	5
		10'	GLCSLX-FS-2000-10 (S or AL)-124-10	Steel	30'	54	16 1/8	25 5/8	30	8 7/8	8 1/8	24	11'-8"	12'-7 1/8"	5	5
		12'	GLCSLX-FS-2000-10 (S or AL)-124-12	Steel	30'	54	16 1/8	25 5/8	30	8 7/8	8 1/8	24	11'-8"	14'-7 1/8"	5	5

*This column provides the total number of support assemblies based on the "L1" dimensions shown. Support assemblies are designed to AISC specifications and do not require bracing. If no movement of the support assembly is preferred, then bracing to the building steel is recommended (not included).

To Determine Hook Coverage: [Bridge Travel on Runway = Runway Length - (2xL8)] by [Hoist Trolley Travel on Bridge = Bridge Length - L3 - L6] (L6 allows for festoon stack-up).

Gorbel® Free Standing Work Station Bridge Crane Kits include: bridge, runways, the appropriate number of support assemblies, hoist trolley, end trucks, end stops, flat wire festooning, festoon gliders (festoon trolleys on steel runway lengths greater than 63' and all aluminum systems), festoon stack-up section, splice joints and hanger brackets. Hoist and anchor bolts provided by others.

Dimensions are for reference only and are subject to change without notice.

FREE STANDING WORK STATION BRIDGE CRANES

BRIDGE LENGTH (L)	RUNWAY LENGTH	TS	MODEL NUMBER	TRACK MAT.	RUNWAY			BRIDGE				SUPPORT STRUCTURE				
					MAX. L1	L7 in	L8 in	H3 in	H3A in	H4 in	L3 in	L6 in	OAW	OAH	D in	SPT
15'	23'	10'	GLCS-FS-2000-15 (S or AL)-23-10	Steel	20'	9	16 1/8	19 5/8	24	14 7/8	8 1/8	24	16'-8"	12'-1 1/8"	5	2
		10'	AL-FS-2000-15-23-10	Alum	20'	13	17	25 1/4	-	13 3/8	8	24 3/8	16'-8"	12'-6 3/4"	5	2
		12'	GLCS-FS-2000-15 (S or AL)-23-12	Steel	20'	9	16 1/8	19 5/8	24	14 7/8	8 1/8	24	16'-8"	14'-1 1/8"	5	2
		12'	AL-FS-2000-15-23-12	Alum	20'	13	17	25 1/4	-	13 3/8	8	24 3/8	16'-8"	14'-6 3/4"	5	2
		14'	GLCS-FS-2000-15 (S or AL)-23-14	Steel	20'	9	16 1/8	19 5/8	24	14 7/8	8 1/8	24	16'-8"	16'-1 1/8"	5	2
	14'	AL-FS-2000-15-23-14	Alum	20'	13	17	25 1/4	-	13 3/8	8	24 3/8	16'-8"	16'-6 3/4"	5	2	
	28'	10'	GLCSL-FS-2000-15 (S or AL)-28-10	Steel	25'	13	16 1/8	23	27 3/8	14 7/8	8 1/8	24	16'-8"	12'-4 1/2"	5	2
		12'	GLCSL-FS-2000-15 (S or AL)-28-12	Steel	25'	13	16 1/8	23	27 3/8	14 7/8	8 1/8	24	16'-8"	14'-4 1/2"	5	2
		14'	GLCSL-FS-2000-15 (S or AL)-28-14	Steel	25'	13	16 1/8	23	27 3/8	14 7/8	8 1/8	24	16'-8"	16'-4 1/2"	5	2
	33'	10'	GLCS-FS-2000-15 (S or AL)-33-10	Steel	20'	13	16 1/8	19 5/8	24	14 7/8	8 1/8	24	16'-8"	12'-1 1/8"	5	3
		10'	AL-FS-2000-15-33-10	Alum	20'	19	17	25 1/4	-	13 3/8	8	24 3/8	16'-8"	12'-6 3/4"	5	3
		12'	GLCS-FS-2000-15 (S or AL)-33-12	Steel	20'	13	16 1/8	19 5/8	24	14 7/8	8 1/8	24	16'-8"	14'-1 1/8"	5	3
		12'	AL-FS-2000-15-33-12	Alum	20'	19	17	25 1/4	-	13 3/8	8	24 3/8	16'-8"	14'-6 3/4"	5	3
		14'	GLCS-FS-2000-15 (S or AL)-33-14	Steel	20'	13	16 1/8	19 5/8	24	14 7/8	8 1/8	24	16'-8"	16'-1 1/8"	5	3
	14'	AL-FS-2000-15-33-14	Alum	20'	19	17	25 1/4	-	13 3/8	8	24 3/8	16'-8"	16'-6 3/4"	5	3	
	34'	10'	GLCSLX-FS-2000-15 (S or AL)-34-10	Steel	30'	13	16 1/8	25 5/8	30	14 7/8	8 1/8	24	16'-8"	12'-7 1/8"	5	2
		12'	GLCSLX-FS-2000-15 (S or AL)-34-12	Steel	30'	13	16 1/8	25 5/8	30	14 7/8	8 1/8	24	16'-8"	14'-7 1/8"	5	2
		14'	GLCSLX-FS-2000-15 (S or AL)-34-14	Steel	30'	13	16 1/8	25 5/8	30	14 7/8	8 1/8	24	16'-8"	16'-8 1/8"	5	2
	43'	10'	GLCS-FS-2000-15 (S or AL)-43-10	Steel	20'	19	16 1/8	19 5/8	24	14 7/8	8 1/8	24	16'-8"	12'-1 1/8"	5	3
		10'	AL-FS-2000-15-43-10	Alum	20'	26	17	25 1/4	-	13 3/8	8	24 3/8	16'-8"	12'-6 3/4"	5	3
		12'	GLCS-FS-2000-15 (S or AL)-43-12	Steel	20'	19	16 1/8	19 5/8	24	14 7/8	8 1/8	24	16'-8"	14'-1 1/8"	5	3
		12'	AL-FS-2000-15-43-12	Alum	20'	26	17	25 1/4	-	13 3/8	8	24 3/8	16'-8"	14'-6 3/4"	5	3
		14'	GLCS-FS-2000-15 (S or AL)-43-14	Steel	20'	19	16 1/8	19 5/8	24	14 7/8	8 1/8	24	16'-8"	16'-1 1/8"	5	3
		14'	AL-FS-2000-15-43-14	Alum	20'	26	17	25 1/4	-	13 3/8	8	24 3/8	16'-8"	16'-6 3/4"	5	3
	53'	10'	GLCS-FS-2000-15 (S or AL)-53-10	Steel	20'	19	16 1/8	19 5/8	24	14 7/8	8 1/8	24	16'-8"	12'-1 1/8"	5	4
		10'	AL-FS-2000-15-53-10	Alum	20'	30	17	25 1/4	-	13 3/8	8	24 3/8	16'-8"	12'-6 3/4"	5	4
		12'	GLCSL-FS-2000-15 (S or AL)-53-10	Steel	25'	19	16 1/8	23	27 3/8	14 7/8	8 1/8	24	16'-8"	12'-4 1/2"	5	3
		12'	GLCS-FS-2000-15 (S or AL)-53-12	Steel	20'	19	16 1/8	19 5/8	24	14 7/8	8 1/8	24	16'-8"	14'-1 1/8"	5	4
		12'	AL-FS-2000-15-53-12	Alum	20'	30	17	25 1/4	-	13 3/8	8	24 3/8	16'-8"	14'-6 3/4"	5	4
		12'	GLCSL-FS-2000-15 (S or AL)-53-12	Steel	25'	19	16 1/8	23	27 3/8	14 7/8	8 1/8	24	16'-8"	14'-4 1/2"	5	3
		14'	GLCS-FS-2000-15 (S or AL)-53-14	Steel	20'	19	16 1/8	19 5/8	24	14 7/8	8 1/8	24	16'-8"	16'-1 1/8"	5	4
		14'	AL-FS-2000-15-53-14	Alum	20'	30	17	25 1/4	-	13 3/8	8	24 3/8	16'-8"	16'-6 3/4"	5	4
	14'	GLCSL-FS-2000-15 (S or AL)-53-14	Steel	25'	19	16 1/8	23	27 3/8	14 7/8	8 1/8	24	16'-8"	16'-4 1/2"	5	3	
	63'	10'	GLCS-FS-2000-15 (S or AL)-63-10	Steel	20'	26	16 1/8	19 5/8	24	14 7/8	8 1/8	24	16'-8"	12'-1 1/8"	5	4
		10'	AL-FS-2000-15-63-10	Alum	20'	36	17	25 1/4	-	13 3/8	8	24 3/8	16'-8"	12'-6 3/4"	5	4
		12'	GLCS-FS-2000-15 (S or AL)-63-12	Steel	20'	26	16 1/8	19 5/8	24	14 7/8	8 1/8	24	16'-8"	14'-1 1/8"	5	4
		12'	AL-FS-2000-15-63-12	Alum	20'	36	17	25 1/4	-	13 3/8	8	24 3/8	16'-8"	14'-6 3/4"	5	4
		14'	GLCS-FS-2000-15 (S or AL)-63-14	Steel	20'	26	16 1/8	19 5/8	24	14 7/8	8 1/8	24	16'-8"	16'-1 1/8"	5	4
	14'	AL-FS-2000-15-63-14	Alum	20'	36	17	25 1/4	-	13 3/8	8	24 3/8	16'-8"	16'-6 3/4"	5	4	
	64'	10'	GLCSLX-FS-2000-15 (S or AL)-64-10	Steel	30'	36	16 1/8	25 5/8	30	14 7/8	8 1/8	24 3/8	16'-8"	12'-7 1/8"	5	3
		12'	GLCSLX-FS-2000-15 (S or AL)-64-12	Steel	30'	36	16 1/8	25 5/8	30	14 7/8	8 1/8	24 3/8	16'-8"	14'-7 1/8"	5	3
		14'	GLCSLX-FS-2000-15 (S or AL)-64-14	Steel	30'	36	16 1/8	25 5/8	30	14 7/8	8 1/8	24 3/8	16'-8"	16'-8 1/8"	5	3
	78'	10'	GLCSL-FS-2000-15 (S or AL)-78-10	Steel	25'	46	16 1/8	23	27 3/8	14 7/8	8 1/8	24 3/8	16'-8"	12'-4 1/2"	5	4
		12'	GLCSL-FS-2000-15 (S or AL)-78-12	Steel	25'	46	16 1/8	23	27 3/8	14 7/8	8 1/8	24 3/8	16'-8"	14'-4 1/2"	5	4
		14'	GLCSL-FS-2000-15 (S or AL)-78-14	Steel	25'	46	16 1/8	23	27 3/8	14 7/8	8 1/8	24 3/8	16'-8"	16'-4 1/2"	5	4
	83'	10'	GLCS-FS-2000-15 (S or AL)-83-10	Steel	20'	46	16 1/8	19 5/8	24	14 7/8	8 1/8	24 3/8	16'-8"	12'-1 1/8"	5	5
		10'	AL-FS-2000-15-83-10	Alum	20'	46	17	25 1/4	-	13 3/8	8	24 3/8	16'-8"	12'-6 3/4"	5	5
		12'	GLCS-FS-2000-15 (S or AL)-83-12	Steel	20'	46	16 1/8	19 5/8	24	14 7/8	8 1/8	24 3/8	16'-8"	14'-1 1/8"	5	5
		12'	AL-FS-2000-15-83-12	Alum	20'	46	17	25 1/4	-	13 3/8	8	24 3/8	16'-8"	14'-6 3/4"	5	5
		14'	GLCS-FS-2000-15 (S or AL)-83-14	Steel	20'	46	16 1/8	19 5/8	24	14 7/8	8 1/8	24 3/8	16'-8"	16'-1 1/8"	5	5
	14'	AL-FS-2000-15-83-14	Alum	20'	46	17	25 1/4	-	13 3/8	8	24 3/8	16'-8"	16'-6 3/4"	5	5	
	94'	10'	GLCSLX-FS-2000-15 (S or AL)-94-10	Steel	30'	54	16 1/8	25 5/8	30	14 7/8	8 1/8	24 3/8	16'-8"	12'-7 1/8"	5	4
		12'	GLCSLX-FS-2000-15 (S or AL)-94-12	Steel	30'	54	16 1/8	25 5/8	30	14 7/8	8 1/8	24 3/8	16'-8"	14'-7 1/8"	5	4
		14'	GLCSLX-FS-2000-15 (S or AL)-94-14	Steel	30'	54	16 1/8	25 5/8	30	14 7/8	8 1/8	24 3/8	16'-8"	16'-8 1/8"	5	4
	103'	10'	GLCS-FS-2000-15 (S or AL)-103-10	Steel	20'	54	16 1/8	19 5/8	24	14 7/8	8 1/8	24 3/8	16'-8"	12'-1 1/8"	5	6
		10'	AL-FS-2000-15-103-10	Alum	20'	54	17	25 1/4	-	13 3/8	8	24 3/8	16'-8"	12'-6 3/4"	5	6
		12'	GLCSL-FS-2000-15 (S or AL)-103-10	Steel	25'	54	16 1/8	23	27 3/8	14 7/8	8 1/8	24 3/8	16'-8"	12'-4 1/2"	5	5
		12'	GLCS-FS-2000-15 (S or AL)-103-12	Steel	20'	54	16 1/8	19 5/8	24	14 7/8	8 1/8	24 3/8	16'-8"	14'-1 1/8"	5	6
		12'	AL-FS-2000-15-103-12	Alum	20'	54	17	25 1/4	-	13 3/8	8	24 3/8	16'-8"	14'-6 3/4"	5	6
		12'	GLCSL-FS-2000-15 (S or AL)-103-12	Steel	25'	54	16 1/8	23	27 3/8	14 7/8	8 1/8	24 3/8	16'-8"	14'-4 1/2"	5	5
		14'	GLCS-FS-2000-15 (S or AL)-103-14	Steel	20'	54	16 1/8	19 5/8	24	14 7/8	8 1/8	24 3/8	16'-8"	16'-1 1/8"	5	6
	14'	AL-FS-2000-15-103-14	Alum	20'	54	17	25 1/4	-	13 3/8	8	24 3/8	16'-8"	16'-6 3/4"	5	6	
	14'	GLCSL-FS-2000-15 (S or AL)-103-14	Steel	25'	54	16 1/8	23	27 3/8	14 7/8	8 1/8	24 3/8	16'-8"	16'-4 1/2"	5	5	
	124'	10'	GLCSLX-FS-2000-15 (S or AL)-124-10	Steel	30'	54	16 1/8	25 5/8	30	14 7/8	8 1/8	24 3/8	16'-8"	12'-7 1/8"	5	5
		12'	GLCSLX-FS-2000-15 (S or AL)-124-12	Steel	30'	54	16 1/8	25 5/8	30	14 7/8	8 1/8	24 3/8	16'-8"	14'-7 1/8"	5	5
		14'	GLCSLX-FS-2000-15 (S or AL)-124-14	Steel	30'	54	16 1/8	25 5/8	30	14 7/8	8 1/8	24 3/8	16'-8"	16'-8 1/8"	5	5

*This column provides the total number of support assemblies based on the "L1" dimensions shown. Support assemblies are designed to AISC specifications and do not require bracing. If no movement of the support assembly is preferred, then bracing to the building steel is recommended (not included).

To Determine Hook Coverage: [Bridge Travel on Runway = Runway Length - (2xL8)] by [Hoist Trolley Travel on Bridge = Bridge Length - L3 - L6] (L6 allows for festoon stack-up).

Corbel® Free Standing Work Station Bridge Crane Kits include: bridge, runways, the appropriate number of support assemblies, hoist trolley, end trucks, end stops, flat wire festooning, festoon gliders (festoon trolleys on steel runway lengths greater than 63' and all aluminum systems), festoon stack-up section, splice joints and hanger brackets. Hoist and anchor bolts provided by others.

Dimensions are for reference only and are subject to change without notice.

2000# CAPACITY

FREE STANDING WORK STATION CRANES

FREE STANDING WORK STATION BRIDGE CRANES

BRIDGE LENGTH (L)	RUNWAY LENGTH	TS	MODEL NUMBER	TRACK MAT.	RUNWAY			BRIDGE				SUPPORT STRUCTURE				
					MAX. L1	L7 in	L8 in	H3 in	H3A in	H4 in	L3 in	L6 in	OAW	OAH	D in	*LdS
20'	23'	10'	GLCS-FS-2000-20 (S or AL)-23-10	Steel	20'	9	16 1/8	19 5/8	24	14 7/8	8 1/8	24	21'-8"	12'-1 1/8"	5	2
		10'	AL-FS-2000-20-23-10	Alum	20'	13	17	25 1/4	-	15 1/2	8	27 3/4	21'-8"	12'-6 3/4"	5	2
		12'	GLCS-FS-2000-20 (S or AL)-23-12	Steel	20'	9	16 1/8	19 5/8	24	14 7/8	8 1/8	24	21'-8"	14'-1 1/8"	5	2
		12'	AL-FS-2000-20-23-12	Alum	20'	13	17	25 1/4	-	15 1/2	8	27 3/4	21'-8"	14'-6 3/4"	5	2
		14'	GLCS-FS-2000-20 (S or AL)-23-14	Steel	20'	9	16 1/8	19 5/8	24	14 7/8	8 1/8	24	21'-8"	16'-2 1/8"	5	2
		14'	AL-FS-2000-20-23-14	Alum	20'	13	17	25 1/4	-	15 1/2	8	27 3/4	21'-8"	16'-7 3/4"	5	2
	28'	10'	GLCSL-FS-2000-20 (S or AL)-28-10	Steel	25'	13	16 1/8	23	27 3/8	14 7/8	8 1/8	24	21'-8"	12'-4 1/2"	5	2
		12'	GLCSL-FS-2000-20 (S or AL)-28-12	Steel	25'	13	16 1/8	23	27 3/8	14 7/8	8 1/8	24	21'-8"	14'-4 1/2"	5	2
		14'	GLCSL-FS-2000-20 (S or AL)-28-14	Steel	25'	13	16 1/8	23	27 3/8	14 7/8	8 1/8	24	21'-8"	16'-5 1/2"	5	2
	33'	10'	GLCS-FS-2000-20 (S or AL)-33-10	Steel	20'	13	16 1/8	19 5/8	24	14 7/8	8 1/8	24	21'-8"	12'-1 1/8"	5	3
		10'	AL-FS-2000-20-33-10	Alum	20'	19	17	25 1/4	-	15 1/2	8	27 3/4	21'-8"	12'-6 3/4"	5	3
		12'	GLCS-FS-2000-20 (S or AL)-33-12	Steel	20'	13	16 1/8	19 5/8	24	14 7/8	8 1/8	24	21'-8"	14'-1 1/8"	5	3
		12'	AL-FS-2000-20-33-12	Alum	20'	19	17	25 1/4	-	15 1/2	8	27 3/4	21'-8"	14'-6 3/4"	5	3
		14'	GLCS-FS-2000-20 (S or AL)-33-14	Steel	20'	13	16 1/8	19 5/8	24	14 7/8	8 1/8	24	21'-8"	16'-2 1/8"	5	3
		14'	AL-FS-2000-20-33-14	Alum	20'	19	17	25 1/4	-	15 1/2	8	27 3/4	21'-8"	16'-7 3/4"	5	3
	34'	10'	GLCSLX-FS-2000-20 (S or AL)-34-10	Steel	30'	13	16 1/8	25 5/8	30	14 7/8	8 1/8	24	21'-8"	12'-7 1/8"	5	2
		12'	GLCSLX-FS-2000-20 (S or AL)-34-12	Steel	30'	13	16 1/8	25 5/8	30	14 7/8	8 1/8	24	21'-8"	14'-7 1/8"	5	2
		14'	GLCSLX-FS-2000-20 (S or AL)-34-14	Steel	30'	13	16 1/8	25 5/8	30	14 7/8	8 1/8	24	21'-8"	16'-8 1/8"	5	2
	43'	10'	GLCS-FS-2000-20 (S or AL)-43-10	Steel	20'	19	16 1/8	19 5/8	24	14 7/8	8 1/8	24	21'-8"	12'-1 1/8"	5	3
		10'	AL-FS-2000-20-43-10	Alum	20'	26	17	25 1/4	-	15 1/2	8	27 3/4	21'-8"	12'-6 3/4"	5	3
		12'	GLCS-FS-2000-20 (S or AL)-43-12	Steel	20'	19	16 1/8	19 5/8	24	14 7/8	8 1/8	24	21'-8"	14'-1 1/8"	5	3
		12'	AL-FS-2000-20-43-12	Alum	20'	26	17	25 1/4	-	15 1/2	8	27 3/4	21'-8"	14'-6 3/4"	5	3
		14'	GLCS-FS-2000-20 (S or AL)-43-14	Steel	20'	19	16 1/8	19 5/8	24	14 7/8	8 1/8	24	21'-8"	16'-2 1/8"	5	3
		14'	AL-FS-2000-20-43-14	Alum	20'	26	17	25 1/4	-	15 1/2	8	27 3/4	21'-8"	16'-7 3/4"	5	3
	53'	10'	GLCS-FS-2000-20 (S or AL)-53-10	Steel	20'	19	16 1/8	19 5/8	24	14 7/8	8 1/8	24	21'-8"	12'-1 1/8"	5	4
		10'	AL-FS-2000-20-53-10	Alum	20'	30	17	25 1/4	-	15 1/2	8	27 3/4	21'-8"	12'-6 3/4"	5	4
		10'	GLCSL-FS-2000-20 (S or AL)-53-10	Steel	25'	19	16 1/8	23	27 3/8	14 7/8	8 1/8	24	21'-8"	12'-4 1/2"	5	3
		12'	GLCS-FS-2000-20 (S or AL)-53-12	Steel	20'	19	16 1/8	19 5/8	24	14 7/8	8 1/8	24	21'-8"	14'-1 1/8"	5	4
		12'	AL-FS-2000-20-53-12	Alum	20'	30	17	25 1/4	-	15 1/2	8	27 3/4	21'-8"	14'-6 3/4"	5	4
		12'	GLCSL-FS-2000-20 (S or AL)-53-12	Steel	25'	19	16 1/8	23	27 3/8	14 7/8	8 1/8	24	21'-8"	14'-4 1/2"	5	3
		14'	GLCS-FS-2000-20 (S or AL)-53-14	Steel	20'	19	16 1/8	19 5/8	24	14 7/8	8 1/8	24	21'-8"	16'-2 1/8"	5	4
		14'	AL-FS-2000-20-53-14	Alum	20'	30	17	25 1/4	-	15 1/2	8	27 3/4	21'-8"	16'-7 3/4"	5	4
		14'	GLCSL-FS-2000-20 (S or AL)-53-14	Steel	25'	19	16 1/8	23	27 3/8	14 7/8	8 1/8	24	21'-8"	16'-5 1/2"	5	3
		63'	10'	GLCS-FS-2000-20 (S or AL)-63-10	Steel	20'	26	16 1/8	19 5/8	24	14 7/8	8 1/8	24	21'-8"	12'-1 1/8"	5
	10'		AL-FS-2000-20-63-10	Alum	20'	36	17	25 1/4	-	15 1/2	8	27 3/4	21'-8"	12'-6 3/4"	5	4
	12'		GLCS-FS-2000-20 (S or AL)-63-12	Steel	20'	26	16 1/8	19 5/8	24	14 7/8	8 1/8	24	21'-8"	14'-1 1/8"	5	4
	12'		AL-FS-2000-20-63-12	Alum	20'	36	17	25 1/4	-	15 1/2	8	27 3/4	21'-8"	14'-6 3/4"	5	4
	14'		GLCS-FS-2000-20 (S or AL)-63-14	Steel	20'	26	16 1/8	19 5/8	24	14 7/8	8 1/8	24	21'-8"	16'-2 1/8"	5	4
	14'		AL-FS-2000-20-63-14	Alum	20'	36	17	25 1/4	-	15 1/2	8	27 3/4	21'-8"	16'-7 3/4"	5	4
	64'	10'	GLCSLX-FS-2000-20 (S or AL)-64-10	Steel	30'	36	16 1/8	25 5/8	30	14 7/8	8 1/8	27 3/4	21'-8"	12'-7 1/8"	5	3
		12'	GLCSLX-FS-2000-20 (S or AL)-64-12	Steel	30'	36	16 1/8	25 5/8	30	14 7/8	8 1/8	27 3/4	21'-8"	14'-7 1/8"	5	3
		14'	GLCSLX-FS-2000-20 (S or AL)-64-14	Steel	30'	36	16 1/8	25 5/8	30	14 7/8	8 1/8	27 3/4	21'-8"	16'-8 1/8"	5	3
	78'	10'	GLCSL-FS-2000-20 (S or AL)-78-10	Steel	25'	46	16 1/8	23	27 3/8	14 7/8	8 1/8	27 3/4	21'-8"	12'-4 1/2"	5	4
		12'	GLCSL-FS-2000-20 (S or AL)-78-12	Steel	25'	46	16 1/8	23	27 3/8	14 7/8	8 1/8	27 3/4	21'-8"	14'-4 1/2"	5	4
		14'	GLCSL-FS-2000-20 (S or AL)-78-14	Steel	25'	46	16 1/8	23	27 3/8	14 7/8	8 1/8	27 3/4	21'-8"	16'-5 1/2"	5	4
	83'	10'	GLCS-FS-2000-20 (S or AL)-83-10	Steel	20'	46	16 1/8	19 5/8	24	14 7/8	8 1/8	27 3/4	21'-8"	12'-1 1/8"	5	5
		10'	AL-FS-2000-20-83-10	Alum	20'	46	17	25 1/4	-	15 1/2	8	27 3/4	21'-8"	12'-6 3/4"	5	5
		12'	GLCS-FS-2000-20 (S or AL)-83-12	Steel	20'	46	16 1/8	19 5/8	24	14 7/8	8 1/8	27 3/4	21'-8"	14'-1 1/8"	5	5
		12'	AL-FS-2000-20-83-12	Alum	20'	46	17	25 1/4	-	15 1/2	8	27 3/4	21'-8"	14'-6 3/4"	5	5
		14'	GLCS-FS-2000-20 (S or AL)-83-14	Steel	20'	46	16 1/8	19 5/8	24	14 7/8	8 1/8	27 3/4	21'-8"	16'-2 1/8"	5	5
		14'	AL-FS-2000-20-83-14	Alum	20'	46	17	25 1/4	-	15 1/2	8	27 3/4	21'-8"	16'-7 3/4"	5	5
	94'	10'	GLCSLX-FS-2000-20 (S or AL)-94-10	Steel	30'	54	16 1/8	25 5/8	30	14 7/8	8 1/8	27 3/4	21'-8"	12'-7 1/8"	5	4
		12'	GLCSLX-FS-2000-20 (S or AL)-94-12	Steel	30'	54	16 1/8	25 5/8	30	14 7/8	8 1/8	27 3/4	21'-8"	14'-7 1/8"	5	4
		14'	GLCSLX-FS-2000-20 (S or AL)-94-14	Steel	30'	54	16 1/8	25 5/8	30	14 7/8	8 1/8	27 3/4	21'-8"	16'-8 1/8"	5	4
	103'	10'	GLCS-FS-2000-20 (S or AL)-103-10	Steel	20'	54	16 1/8	19 5/8	24	14 7/8	8 1/8	27 3/4	21'-8"	12'-1 1/8"	5	6
		10'	AL-FS-2000-20-103-10	Alum	20'	54	17	25 1/4	-	15 1/2	8	27 3/4	21'-8"	12'-6 3/4"	5	6
		10'	GLCSL-FS-2000-20 (S or AL)-103-10	Steel	25'	54	16 1/8	23	27 3/8	14 7/8	8 1/8	27 3/4	21'-8"	12'-4 1/2"	5	5
		12'	GLCS-FS-2000-20 (S or AL)-103-12	Steel	20'	54	16 1/8	19 5/8	24	14 7/8	8 1/8	27 3/4	21'-8"	14'-1 1/8"	5	6
		12'	AL-FS-2000-20-103-12	Alum	20'	54	17	25 1/4	-	15 1/2	8	27 3/4	21'-8"	14'-6 3/4"	5	6
		12'	GLCSL-FS-2000-20 (S or AL)-103-12	Steel	25'	54	16 1/8	23	27 3/8	14 7/8	8 1/8	27 3/4	21'-8"	14'-4 1/2"	5	5
		14'	GLCS-FS-2000-20 (S or AL)-103-14	Steel	20'	54	16 1/8	19 5/8	24	14 7/8	8 1/8	27 3/4	21'-8"	16'-2 1/8"	5	6
		14'	AL-FS-2000-20-103-14	Alum	20'	54	17	25 1/4	-	15 1/2	8	27 3/4	21'-8"	16'-7 3/4"	5	6
	124'	10'	GLCSLX-FS-2000-20 (S or AL)-124-10	Steel	30'	54	16 1/8	25 5/8	30	14 7/8	8 1/8	27 3/4	21'-8"	12'-7 1/8"	5	5
		12'	GLCSLX-FS-2000-20 (S or AL)-124-12	Steel	30'	54	16 1/8	25 5/8	30	14 7/8	8 1/8	27 3/4	21'-8"	14'-7 1/8"	5	5
		14'	GLCSLX-FS-2000-20 (S or AL)-124-14	Steel	30'	54	16 1/8	25 5/8	30	14 7/8	8 1/8	27 3/4	21'-8"	16'-8 1/8"	5	5

*This column provides the total number of support assemblies based on the "L1" dimensions shown. Support assemblies are designed to AISC specifications and do not require bracing. If no movement of the support assembly is preferred, then bracing to the building steel is recommended (not included).

To Determine Hook Coverage: [Bridge Travel on Runway = Runway Length - (2xL8)] by [Hoist Trolley Travel on Bridge = Bridge Length - L3 - L6] (L6 allows for festoon stack-up).

Corbel® Free Standing Work Station Bridge Crane Kits include: bridge, runways, the appropriate number of support assemblies, hoist trolley, end trucks, end stops, flat wire festooning, festoon gliders (festoon trolleys on steel runway lengths greater than 63' and all aluminum systems), festoon stack-up section, splice joints and hanger brackets. Hoist and anchor bolts provided by others.

Dimensions are for reference only and are subject to change without notice.

FREE STANDING WORK STATION BRIDGE CRANES

FREE STANDING WORK STATION CRANES

BRIDGE LENGTH (L)	RUNWAY LENGTH	TS	MODEL NUMBER	TRACK MAT.	RUNWAY			BRIDGE				SUPPORT STRUCTURE				
					MAX. L1	L7 in	L8 in	H3 in	H3A in	H4 in	L3 in	L6 in	OAW	OAH	D in	SPT*
23'	23'	10'	GLCS-FS-2000-23 (S or AL)-23-10	Steel	20'	9	16 1/8	19 5/8	24	14 7/8	8 1/8	24	24'-8"	12'-1 1/8"	5	2
		10'	AL-FS-2000-23-23-10	Alum	20'	13	17	25 1/4	-	15 1/2	8	31 1/8	24'-8"	12'-6 3/4"	5	2
		12'	GLCS-FS-2000-23 (S or AL)-23-12	Steel	20'	9	16 1/8	19 5/8	24	14 7/8	8 1/8	24	24'-8"	14'-2 1/8"	5	2
		12'	AL-FS-2000-23-23-12	Alum	20'	13	17	25 1/4	-	15 1/2	8	31 1/8	24'-8"	14'-7 3/4"	5	2
		14'	GLCS-FS-2000-23 (S or AL)-23-14	Steel	20'	9	16 1/8	19 5/8	24	14 7/8	8 1/8	24	24'-8"	16'-2 1/8"	5	2
		14'	AL-FS-2000-23-23-14	Alum	20'	13	17	25 1/4	-	15 1/2	8	31 1/8	24'-8"	16'-7 3/4"	5	2
	28'	10'	GLCSL-FS-2000-23 (S or AL)-28-10	Steel	25'	13	16 1/8	23	27 3/8	14 7/8	8 1/8	24	24'-8"	12'-4 1/2"	5	2
		12'	GLCSL-FS-2000-23 (S or AL)-28-12	Steel	25'	13	16 1/8	23	27 3/8	14 7/8	8 1/8	24	24'-8"	14'-5 1/2"	5	2
		14'	GLCSL-FS-2000-23 (S or AL)-28-14	Steel	25'	13	16 1/8	23	27 3/8	14 7/8	8 1/8	24	24'-8"	16'-6 1/2"	5	2
	33'	10'	GLCS-FS-2000-23 (S or AL)-33-10	Steel	20'	13	16 1/8	19 5/8	24	14 7/8	8 1/8	24	24'-8"	12'-1 1/8"	5	3
		10'	AL-FS-2000-23-33-10	Alum	20'	19	17	25 1/4	-	15 1/2	8	31 1/8	24'-8"	12'-6 3/4"	5	3
		12'	GLCS-FS-2000-23 (S or AL)-33-12	Steel	20'	13	16 1/8	19 5/8	24	14 7/8	8 1/8	24	24'-8"	14'-2 1/8"	5	3
		12'	AL-FS-2000-23-33-12	Alum	20'	19	17	25 1/4	-	15 1/2	8	31 1/8	24'-8"	14'-7 3/4"	5	3
		14'	GLCS-FS-2000-23 (S or AL)-33-14	Steel	20'	13	16 1/8	19 5/8	24	14 7/8	8 1/8	24	24'-8"	16'-2 1/8"	5	3
		14'	AL-FS-2000-23-33-14	Alum	20'	19	17	25 1/4	-	15 1/2	8	31 1/8	24'-8"	16'-7 3/4"	5	3
	34'	10'	GLCSLX-FS-2000-23 (S or AL)-34-10	Steel	30'	13	16 1/8	25 5/8	30	14 7/8	8 1/8	24	24'-8"	12'-7 1/8"	5	2
		12'	GLCSLX-FS-2000-23 (S or AL)-34-12	Steel	30'	13	16 1/8	25 5/8	30	14 7/8	8 1/8	24	24'-8"	14'-8 1/8"	5	2
		14'	GLCSLX-FS-2000-23 (S or AL)-34-14	Steel	30'	13	16 1/8	25 5/8	30	14 7/8	8 1/8	24	24'-8"	16'-9 1/8"	5	2
	43'	10'	GLCS-FS-2000-23 (S or AL)-43-10	Steel	20'	19	16 1/8	19 5/8	24	14 7/8	8 1/8	24	24'-8"	12'-1 1/8"	5	3
		10'	AL-FS-2000-23-43-10	Alum	20'	26	17	25 1/4	-	15 1/2	8	31 1/8	24'-8"	12'-6 3/4"	5	3
		12'	GLCS-FS-2000-23 (S or AL)-43-12	Steel	20'	19	16 1/8	19 5/8	24	14 7/8	8 1/8	24	24'-8"	14'-2 1/8"	5	3
		12'	AL-FS-2000-23-43-12	Alum	20'	26	17	25 1/4	-	15 1/2	8	31 1/8	24'-8"	14'-7 3/4"	5	3
		14'	GLCS-FS-2000-23 (S or AL)-43-14	Steel	20'	19	16 1/8	19 5/8	24	14 7/8	8 1/8	24	24'-8"	16'-2 1/8"	5	3
		14'	AL-FS-2000-23-43-14	Alum	20'	26	17	25 1/4	-	15 1/2	8	31 1/8	24'-8"	16'-7 3/4"	5	3
	53'	10'	GLCS-FS-2000-23 (S or AL)-53-10	Steel	20'	19	16 1/8	19 5/8	24	14 7/8	8 1/8	24	24'-8"	12'-1 1/8"	5	4
		10'	AL-FS-2000-23-53-10	Alum	20'	30	17	25 1/4	-	15 1/2	8	31 1/8	24'-8"	12'-6 3/4"	5	4
		10'	GLCSL-FS-2000-23 (S or AL)-53-10	Steel	25'	19	16 1/8	23	27 3/8	14 7/8	8 1/8	24	24'-8"	12'-4 1/2"	5	3
		12'	GLCS-FS-2000-23 (S or AL)-53-12	Steel	20'	19	16 1/8	19 5/8	24	14 7/8	8 1/8	24	24'-8"	14'-2 1/8"	5	4
		12'	AL-FS-2000-23-53-12	Alum	20'	30	17	25 1/4	-	15 1/2	8	31 1/8	24'-8"	14'-7 3/4"	5	4
		12'	GLCSL-FS-2000-23 (S or AL)-53-12	Steel	25'	19	16 1/8	23	27 3/8	14 7/8	8 1/8	24	24'-8"	14'-5 1/2"	5	3
		14'	GLCS-FS-2000-23 (S or AL)-53-14	Steel	20'	19	16 1/8	19 5/8	24	14 7/8	8 1/8	24	24'-8"	16'-2 1/8"	5	4
		14'	AL-FS-2000-23-53-14	Alum	20'	30	17	25 1/4	-	15 1/2	8	31 1/8	24'-8"	16'-7 3/4"	5	4
		14'	GLCSL-FS-2000-23 (S or AL)-53-14	Steel	25'	19	16 1/8	23	27 3/8	14 7/8	8 1/8	24	24'-8"	16'-6 1/2"	5	3
		63'	10'	GLCS-FS-2000-23 (S or AL)-63-10	Steel	20'	26	16 1/8	19 5/8	24	14 7/8	8 1/8	24	24'-8"	12'-1 1/8"	5
	10'		AL-FS-2000-23-63-10	Alum	20'	36	17	25 1/4	-	15 1/2	8	31 1/8	24'-8"	12'-6 3/4"	5	4
	12'		GLCS-FS-2000-23 (S or AL)-63-12	Steel	20'	26	16 1/8	19 5/8	24	14 7/8	8 1/8	24	24'-8"	14'-2 1/8"	5	4
	12'		AL-FS-2000-23-63-12	Alum	20'	36	17	25 1/4	-	15 1/2	8	31 1/8	24'-8"	14'-7 3/4"	5	4
	14'		GLCS-FS-2000-23 (S or AL)-63-14	Steel	20'	26	16 1/8	19 5/8	24	14 7/8	8 1/8	24	24'-8"	16'-2 1/8"	5	4
	14'		AL-FS-2000-23-63-14	Alum	20'	36	17	25 1/4	-	15 1/2	8	31 1/8	24'-8"	16'-7 3/4"	5	4
	64'	10'	GLCSLX-FS-2000-23 (S or AL)-64-10	Steel	30'	36	16 1/8	25 5/8	30	14 7/8	8 1/8	31 1/8	24'-8"	12'-7 1/8"	5	3
		12'	GLCSLX-FS-2000-23 (S or AL)-64-12	Steel	30'	36	16 1/8	25 5/8	30	14 7/8	8 1/8	31 1/8	24'-8"	14'-8 1/8"	5	3
		14'	GLCSLX-FS-2000-23 (S or AL)-64-14	Steel	30'	36	16 1/8	25 5/8	30	14 7/8	8 1/8	31 1/8	24'-8"	16'-9 1/8"	5	3
	78'	10'	GLCSL-FS-2000-23 (S or AL)-78-10	Steel	25'	46	16 1/8	23	27 3/8	14 7/8	8 1/8	31 1/8	24'-8"	12'-4 1/2"	5	4
		12'	GLCSL-FS-2000-23 (S or AL)-78-12	Steel	25'	46	16 1/8	23	27 3/8	14 7/8	8 1/8	31 1/8	24'-8"	14'-5 1/2"	5	4
		14'	GLCSL-FS-2000-23 (S or AL)-78-14	Steel	25'	46	16 1/8	23	27 3/8	14 7/8	8 1/8	31 1/8	24'-8"	16'-6 1/2"	5	4
	83'	10'	GLCS-FS-2000-23 (S or AL)-83-10	Steel	20'	46	16 1/8	19 5/8	24	14 7/8	8 1/8	31 1/8	24'-8"	12'-1 1/8"	5	5
		10'	AL-FS-2000-23-83-10	Alum	20'	46	17	25 1/4	-	15 1/2	8	31 1/8	24'-8"	12'-6 3/4"	5	5
		12'	GLCS-FS-2000-23 (S or AL)-83-12	Steel	20'	46	16 1/8	19 5/8	24	14 7/8	8 1/8	31 1/8	24'-8"	14'-2 1/8"	5	5
		12'	AL-FS-2000-23-83-12	Alum	20'	46	17	25 1/4	-	15 1/2	8	31 1/8	24'-8"	14'-7 3/4"	5	5
		14'	GLCS-FS-2000-23 (S or AL)-83-14	Steel	20'	46	16 1/8	19 5/8	24	14 7/8	8 1/8	31 1/8	24'-8"	16'-2 1/8"	5	5
		14'	AL-FS-2000-23-83-14	Alum	20'	46	17	25 1/4	-	15 1/2	8	31 1/8	24'-8"	16'-7 3/4"	5	5
	94'	10'	GLCSLX-FS-2000-23 (S or AL)-94-10	Steel	30'	54	16 1/8	25 5/8	30	14 7/8	8 1/8	31 1/8	24'-8"	12'-7 1/8"	5	4
		12'	GLCSLX-FS-2000-23 (S or AL)-94-12	Steel	30'	54	16 1/8	25 5/8	30	14 7/8	8 1/8	31 1/8	24'-8"	14'-8 1/8"	5	4
		14'	GLCSLX-FS-2000-23 (S or AL)-94-14	Steel	30'	54	16 1/8	25 5/8	30	14 7/8	8 1/8	31 1/8	24'-8"	16'-9 1/8"	5	4
	103'	10'	GLCS-FS-2000-23 (S or AL)-103-10	Steel	20'	54	16 1/8	19 5/8	24	14 7/8	8 1/8	31 1/8	24'-8"	12'-1 1/8"	5	6
		10'	AL-FS-2000-23-103-10	Alum	20'	54	17	25 1/4	-	15 1/2	8	31 1/8	24'-8"	12'-6 3/4"	5	6
		10'	GLCSL-FS-2000-23 (S or AL)-103-10	Steel	25'	54	16 1/8	23	27 3/8	14 7/8	8 1/8	31 1/8	24'-8"	12'-4 1/2"	5	5
		12'	GLCS-FS-2000-23 (S or AL)-103-12	Steel	20'	54	16 1/8	19 5/8	24	14 7/8	8 1/8	31 1/8	24'-8"	14'-2 1/8"	5	6
		12'	AL-FS-2000-23-103-12	Alum	20'	54	17	25 1/4	-	15 1/2	8	31 1/8	24'-8"	14'-7 3/4"	5	6
		12'	GLCSL-FS-2000-23 (S or AL)-103-12	Steel	25'	54	16 1/8	23	27 3/8	14 7/8	8 1/8	31 1/8	24'-8"	14'-5 1/2"	5	5
		14'	GLCS-FS-2000-23 (S or AL)-103-14	Steel	20'	54	16 1/8	19 5/8	24	14 7/8	8 1/8	31 1/8	24'-8"	16'-2 1/8"	5	6
		14'	AL-FS-2000-23-103-14	Alum	20'	54	17	25 1/4	-	15 1/2	8	31 1/8	24'-8"	16'-7 3/4"	5	6
	124'	10'	GLCSLX-FS-2000-23 (S or AL)-124-10	Steel	30'	54	16 1/8	25 5/8	30	14 7/8	8 1/8	31 1/8	24'-8"	12'-7 1/8"	5	5
		12'	GLCSLX-FS-2000-23 (S or AL)-124-12	Steel	30'	54	16 1/8	25 5/8	30	14 7/8	8 1/8	31 1/8	24'-8"	14'-8 1/8"	5	5
		14'	GLCSLX-FS-2000-23 (S or AL)-124-14	Steel	30'	54	16 1/8	25 5/8	30	14 7/8	8 1/8	31 1/8	24'-8"	16'-9 1/8"	5	5

*This column provides the total number of support assemblies based on the "L1" dimensions shown. Support assemblies are designed to AISC specifications and do not require bracing. If no movement of the support assembly is preferred, then bracing to the building steel is recommended (not included).

To Determine Hook Coverage: [Bridge Travel on Runway = Runway Length - (2xL8)] by [Hoist Trolley Travel on Bridge = Bridge Length - L3 - L6] (L6 allows for festoon stack-up).

Corbel® Free Standing Work Station Bridge Crane Kits include: bridge, runways, the appropriate number of support assemblies, hoist trolley, end trucks, end stops, flat wire festooning, festoon gliders (festoon trolleys on steel runway lengths greater than 63' and all aluminum systems), festoon stack-up section, splice joints and hanger brackets. Hoist and anchor bolts provided by others.

Dimensions are for reference only and are subject to change without notice.

2000# CAPACITY

FREE STANDING WORK STATION CRANES

FREE STANDING WORK STATION BRIDGE CRANES

BRIDGE LENGTH (L)	RUNWAY LENGTH	TS	MODEL NUMBER	TRACK MAT.	RUNWAY			BRIDGE					SUPPORT STRUCTURE			
					MAX. L1	L7 in	L8 in	H3 in	H3A in	H4 in	L3 in	L6 in	OAW	OAH	D in	*LdS
28'	23'	10'	GLCS-FS-2000-28 (S or AL)-23-10	Steel	20'	9	25 7/8	23	26	18 1/4	8 1/8	34 1/2	29'-8"	12'-5 1/2"	5	2
		10'	AL-FS-2000-28-23-10	Alum	20'	13	21	27 1/2	-	17	8	37 7/8	29'-8"	12'-10"	5	2
		12'	GLCS-FS-2000-28 (S or AL)-23-12	Steel	20'	9	25 7/8	23	26	18 1/4	8 1/8	34 1/2	29'-8"	14'-5 1/2"	5	2
		12'	AL-FS-2000-28-23-12	Alum	20'	13	21	27 1/2	-	17	8	37 7/8	29'-8"	14'-10"	5	2
		14'	GLCS-FS-2000-28 (S or AL)-23-14	Steel	20'	9	25 7/8	23	26	18 1/4	8 1/8	34 1/2	29'-8"	16'-6 1/2"	5	2
		14'	AL-FS-2000-28-23-14	Alum	20'	13	21	27 1/2	-	17	8	37 7/8	29'-8"	16'-11"	5	2
	28'	10'	GLCSL-FS-2000-28 (S or AL)-28-10	Steel	25'	9	25 7/8	26 3/8	29 3/8	18 1/4	8 1/8	34 1/2	29'-8"	12'-8 7/8"	5	2
		12'	GLCSL-FS-2000-28 (S or AL)-28-12	Steel	25'	9	25 7/8	26 3/8	29 3/8	18 1/4	8 1/8	34 1/2	29'-8"	14'-8 7/8"	5	2
		14'	GLCSL-FS-2000-28 (S or AL)-28-14	Steel	25'	9	25 7/8	26 3/8	29 3/8	18 1/4	8 1/8	34 1/2	29'-8"	16'-9 7/8"	5	2
	33'	10'	GLCS-FS-2000-28 (S or AL)-33-10	Steel	20'	9	25 7/8	23	26	18 1/4	8 1/8	34 1/2	29'-8"	12'-5 1/2"	5	3
		10'	AL-FS-2000-28-33-10	Alum	20'	19	21	27 1/2	-	17	8	37 7/8	29'-8"	12'-10"	5	3
		12'	GLCS-FS-2000-28 (S or AL)-33-12	Steel	20'	9	25 7/8	23	26	18 1/4	8 1/8	34 1/2	29'-8"	14'-5 1/2"	5	3
		12'	AL-FS-2000-28-33-12	Alum	20'	19	21	27 1/2	-	17	8	37 7/8	29'-8"	14'-10"	5	3
		14'	GLCS-FS-2000-28 (S or AL)-33-14	Steel	20'	9	25 7/8	23	26	18 1/4	8 1/8	34 1/2	29'-8"	16'-6 1/2"	5	3
		14'	AL-FS-2000-28-33-14	Alum	20'	19	21	27 1/2	-	17	8	37 7/8	29'-8"	16'-11"	5	3
	34'	10'	GLCSLX-FS-2000-28 (S or AL)-34-10	Steel	30'	9	25 7/8	29	32	18 1/4	8 1/8	34 1/2	29'-8"	12'-11 1/2"	5	2
		12'	GLCSLX-FS-2000-28 (S or AL)-34-12	Steel	30'	9	25 7/8	29	32	18 1/4	8 1/8	34 1/2	29'-8"	14'-11 1/2"	5	2
		14'	GLCSLX-FS-2000-28 (S or AL)-34-14	Steel	30'	9	25 7/8	29	32	18 1/4	8 1/8	34 1/2	29'-8"	17'-0 1/2"	5	2
	43'	10'	GLCS-FS-2000-28 (S or AL)-43-10	Steel	20'	13	25 7/8	23	26	18 1/4	8 1/8	34 1/2	29'-8"	12'-5 1/2"	5	3
		10'	AL-FS-2000-28-43-10	Alum	20'	26	21	27 1/2	-	17	8	37 7/8	29'-8"	12'-10"	5	3
		12'	GLCS-FS-2000-28 (S or AL)-43-12	Steel	20'	13	25 7/8	23	26	18 1/4	8 1/8	34 1/2	29'-8"	14'-5 1/2"	5	3
		12'	AL-FS-2000-28-43-12	Alum	20'	26	21	27 1/2	-	17	8	37 7/8	29'-8"	14'-10"	5	3
		14'	GLCS-FS-2000-28 (S or AL)-43-14	Steel	20'	13	25 7/8	23	26	18 1/4	8 1/8	34 1/2	29'-8"	16'-6 1/2"	5	3
		14'	AL-FS-2000-28-43-14	Alum	20'	26	21	27 1/2	-	17	8	37 7/8	29'-8"	16'-11"	5	3
	53'	10'	GLCS-FS-2000-28 (S or AL)-53-10	Steel	20'	13	25 7/8	23	26	18 1/4	8 1/8	34 1/2	29'-8"	12'-5 1/2"	5	4
		10'	AL-FS-2000-28-53-10	Alum	20'	30	21	27 1/2	-	17	8	37 7/8	29'-8"	12'-10"	5	4
		10'	GLCSL-FS-2000-28 (S or AL)-53-10	Steel	25'	13	25 7/8	26 3/8	29 3/8	18 1/4	8 1/8	34 1/2	29'-8"	12'-8 7/8"	5	3
		12'	GLCS-FS-2000-28 (S or AL)-53-12	Steel	20'	13	25 7/8	23	26	18 1/4	8 1/8	34 1/2	29'-8"	14'-5 1/2"	5	4
		12'	AL-FS-2000-28-53-12	Alum	20'	30	21	27 1/2	-	17	8	37 7/8	29'-8"	14'-10"	5	4
		12'	GLCSL-FS-2000-28 (S or AL)-53-12	Steel	25'	13	25 7/8	26 3/8	29 3/8	18 1/4	8 1/8	34 1/2	29'-8"	14'-8 7/8"	5	3
		14'	GLCS-FS-2000-28 (S or AL)-53-14	Steel	20'	13	25 7/8	23	26	18 1/4	8 1/8	34 1/2	29'-8"	16'-6 1/2"	5	4
		14'	AL-FS-2000-28-53-14	Alum	20'	30	21	27 1/2	-	17	8	37 7/8	29'-8"	16'-11"	5	4
		14'	GLCSL-FS-2000-28 (S or AL)-53-14	Steel	25'	13	25 7/8	26 3/8	29 3/8	18 1/4	8 1/8	34 1/2	29'-8"	16'-9 7/8"	5	3
		63'	10'	GLCS-FS-2000-28 (S or AL)-63-10	Steel	20'	19	25 7/8	23	26	18 1/4	8 1/8	34 1/2	29'-8"	12'-5 1/2"	5
	10'		AL-FS-2000-28-63-10	Alum	20'	36	21	27 1/2	-	17	8	37 7/8	29'-8"	12'-10"	5	4
	12'		GLCS-FS-2000-28 (S or AL)-63-12	Steel	20'	19	25 7/8	23	26	18 1/4	8 1/8	34 1/2	29'-8"	14'-5 1/2"	5	4
	12'		AL-FS-2000-28-63-12	Alum	20'	36	21	27 1/2	-	17	8	37 7/8	29'-8"	14'-10"	5	4
	14'		GLCS-FS-2000-28 (S or AL)-63-14	Steel	20'	19	25 7/8	23	26	18 1/4	8 1/8	34 1/2	29'-8"	16'-6 1/2"	5	4
	14'		AL-FS-2000-28-63-14	Alum	20'	36	21	27 1/2	-	17	8	37 7/8	29'-8"	16'-11"	5	4
	64'	10'	GLCSLX-FS-2000-28 (S or AL)-64-10	Steel	30'	36	25 7/8	29	32	18 1/4	8 1/8	37 7/8	29'-8"	12'-11 1/2"	5	3
		12'	GLCSLX-FS-2000-28 (S or AL)-64-12	Steel	30'	36	25 7/8	29	32	18 1/4	8 1/8	37 7/8	29'-8"	14'-11 1/2"	5	3
		14'	GLCSLX-FS-2000-28 (S or AL)-64-14	Steel	30'	36	25 7/8	29	32	18 1/4	8 1/8	37 7/8	29'-8"	17'-0 1/2"	5	3
	78'	10'	GLCSL-FS-2000-28 (S or AL)-78-10	Steel	25'	46	25 7/8	26 3/8	29 3/8	18 1/4	8 1/8	37 7/8	29'-8"	12'-8 7/8"	5	4
		12'	GLCSL-FS-2000-28 (S or AL)-78-12	Steel	25'	46	25 7/8	26 3/8	29 3/8	18 1/4	8 1/8	37 7/8	29'-8"	14'-8 7/8"	5	4
		14'	GLCSL-FS-2000-28 (S or AL)-78-14	Steel	25'	46	25 7/8	26 3/8	29 3/8	18 1/4	8 1/8	37 7/8	29'-8"	16'-9 7/8"	5	4
	83'	10'	GLCS-FS-2000-28 (S or AL)-83-10	Steel	20'	46	25 7/8	23	26	18 1/4	8 1/8	37 7/8	29'-8"	12'-5 1/2"	5	5
		10'	AL-FS-2000-28-83-10	Alum	20'	46	21	27 1/2	-	17	8	37 7/8	29'-8"	12'-10"	5	5
		12'	GLCS-FS-2000-28 (S or AL)-83-12	Steel	20'	46	25 7/8	23	26	18 1/4	8 1/8	37 7/8	29'-8"	14'-5 1/2"	5	5
		12'	AL-FS-2000-28-83-12	Alum	20'	46	21	27 1/2	-	17	8	37 7/8	29'-8"	14'-10"	5	5
		14'	GLCS-FS-2000-28 (S or AL)-83-14	Steel	20'	46	25 7/8	23	26	18 1/4	8 1/8	37 7/8	29'-8"	16'-6 1/2"	5	5
		14'	AL-FS-2000-28-83-14	Alum	20'	46	21	27 1/2	-	17	8	37 7/8	29'-8"	16'-11"	5	5
	94'	10'	GLCSLX-FS-2000-28 (S or AL)-94-10	Steel	30'	54	25 7/8	29	32	18 1/4	8 1/8	37 7/8	29'-8"	12'-11 1/2"	5	4
		12'	GLCSLX-FS-2000-28 (S or AL)-94-12	Steel	30'	54	25 7/8	29	32	18 1/4	8 1/8	37 7/8	29'-8"	14'-11 1/2"	5	4
		14'	GLCSLX-FS-2000-28 (S or AL)-94-14	Steel	30'	54	25 7/8	29	32	18 1/4	8 1/8	37 7/8	29'-8"	17'-0 1/2"	5	4
	103'	10'	GLCS-FS-2000-28 (S or AL)-103-10	Steel	20'	54	25 7/8	23	26	18 1/4	8 1/8	37 7/8	29'-8"	12'-5 1/2"	5	6
		10'	AL-FS-2000-28-103-10	Alum	20'	54	21	27 1/2	-	17	8	37 7/8	29'-8"	12'-10"	5	6
		10'	GLCSL-FS-2000-28 (S or AL)-103-10	Steel	25'	54	25 7/8	26 3/8	29 3/8	18 1/4	8 1/8	37 7/8	29'-8"	12'-8 7/8"	5	5
		12'	GLCS-FS-2000-28 (S or AL)-103-12	Steel	20'	54	25 7/8	23	26	18 1/4	8 1/8	37 7/8	29'-8"	14'-5 1/2"	5	6
		12'	AL-FS-2000-28-103-12	Alum	20'	54	21	27 1/2	-	17	8	37 7/8	29'-8"	14'-10"	5	6
		12'	GLCSL-FS-2000-28 (S or AL)-103-12	Steel	25'	54	25 7/8	26 3/8	29 3/8	18 1/4	8 1/8	37 7/8	29'-8"	14'-8 7/8"	5	5
		14'	GLCS-FS-2000-28 (S or AL)-103-14	Steel	20'	54	25 7/8	23	26	18 1/4	8 1/8	37 7/8	29'-8"	16'-6 1/2"	5	6
		14'	AL-FS-2000-28-103-14	Alum	20'	54	21	27 1/2	-	17	8	37 7/8	29'-8"	16'-11"	5	6
	124'	10'	GLCSLX-FS-2000-28 (S or AL)-124-10	Steel	30'	54	25 7/8	29	32	18 1/4	8 1/8	37 7/8	29'-8"	12'-11 1/2"	5	5
		12'	GLCSLX-FS-2000-28 (S or AL)-124-12	Steel	30'	54	25 7/8	29	32	18 1/4	8 1/8	37 7/8	29'-8"	14'-11 1/2"	5	5
		14'	GLCSLX-FS-2000-28 (S or AL)-124-14	Steel	30'	54	25 7/8	29	32	18 1/4	8 1/8	37 7/8	29'-8"	17'-0 1/2"	5	5

*This column provides the total number of support assemblies based on the "L1" dimensions shown. Support assemblies are designed to AISC specifications and do not require bracing. If no movement of the support assembly is preferred, then bracing to the building steel is recommended (not included).

To Determine Hook Coverage: [Bridge Travel on Runway = Runway Length - (2xL8)] by [Hoist Trolley Travel on Bridge = Bridge Length - L3 - L6] (L6 allows for festoon stack-up).

Corbel® Free Standing Work Station Bridge Crane Kits include: bridge, runways, the appropriate number of support assemblies, hoist trolley, end trucks, end stops, flat wire festooning, festoon gliders (festoon trolleys on steel runway lengths greater than 63' and all aluminum systems), festoon stack-up section, splice joints and hanger brackets. Hoist and anchor bolts provided by others.

Dimensions are for reference only and are subject to change without notice.

FREE STANDING WORK STATION BRIDGE CRANES

BRIDGE LENGTH (L)	RUNWAY LENGTH	TS	MODEL NUMBER	TRACK MAT.	RUNWAY			BRIDGE					SUPPORT STRUCTURE			
					MAX. L1	L7 in	L8 in	H3 in	H3A in	H4 in	L3 in	L6 in	OAW	OAH	D in	SPT*
34'	28'	10'	GLCSL-FS-2000-34 (S or AL)-28-10	Steel	25'	13	25 7/8	26 3/8	29 3/8	20 7/8	8 1/8	40 1/2	35'-8"	12'-9 7/8"	5	2
		12'	GLCSL-FS-2000-34 (S or AL)-28-12	Steel	25'	13	25 7/8	26 3/8	29 3/8	20 7/8	8 1/8	40 1/2	35'-8"	14'-9 7/8"	5	2
		14'	GLCSL-FS-2000-34 (S or AL)-28-14	Steel	25'	13	25 7/8	26 3/8	29 3/8	20 7/8	8 1/8	40 1/2	35'-8"	16'-11 7/8"	5	2
	33'	10'	GLCS-FS-2000-34 (S or AL)-33-10	Steel	20'	9	25 7/8	25	26	20 7/8	8 1/8	40 1/2	35'-8"	12'-8 1/2"	5	3
		10'	AL-FS-2000-34-33-10	Alum	20'	19	21	27 1/2	-	17 7/8	8	44 5/8	35'-8"	12'-11"	5	3
		12'	GLCS-FS-2000-34 (S or AL)-33-12	Steel	20'	9	25 7/8	25	26	20 7/8	8 1/8	40 1/2	35'-8"	14'-8 1/2"	5	3
		12'	AL-FS-2000-34-33-12	Alum	20'	19	21	27 1/2	-	17 7/8	8	44 5/8	35'-8"	14'-11"	5	3
		14'	GLCS-FS-2000-34 (S or AL)-33-14	Steel	20'	9	25 7/8	25	26	20 7/8	8 1/8	40 1/2	35'-8"	16'-8 1/2"	5	3
	34'	10'	AL-FS-2000-34-33-14	Alum	20'	19	21	27 1/2	-	17 7/8	8	44 5/8	35'-8"	16'-11"	5	3
		12'	GLCSLX-FS-2000-34 (S or AL)-34-12	Steel	30'	9	25 7/8	29	32	20 7/8	8 1/8	40 1/2	35'-8"	15'-2 1/2"	5	2
		14'	GLCSLX-FS-2000-34 (S or AL)-34-14	Steel	30'	9	25 7/8	29	32	20 7/8	8 1/8	40 1/2	35'-8"	17'-2 1/2"	5	2
	43'	10'	GLCS-FS-2000-34 (S or AL)-43-10	Steel	20'	13	25 7/8	25	26	20 7/8	8 1/8	40 1/2	35'-8"	12'-8 1/2"	5	3
10'		AL-FS-2000-34-43-10	Alum	20'	26	21	27 1/2	-	17 7/8	8	44 5/8	35'-8"	12'-11"	5	3	
12'		GLCS-FS-2000-34 (S or AL)-43-12	Steel	20'	13	25 7/8	25	26	20 7/8	8 1/8	40 1/2	35'-8"	14'-8 1/2"	5	3	
12'		AL-FS-2000-34-43-12	Alum	20'	26	21	27 1/2	-	17 7/8	8	44 5/8	35'-8"	14'-11"	5	3	
14'		GLCS-FS-2000-34 (S or AL)-43-14	Steel	20'	13	25 7/8	25	26	20 7/8	8 1/8	40 1/2	35'-8"	16'-8 1/2"	5	3	
53'	10'	AL-FS-2000-34-43-14	Alum	20'	26	21	27 1/2	-	17 7/8	8	44 5/8	35'-8"	16'-11"	5	3	
	10'	GLCS-FS-2000-34 (S or AL)-53-10	Steel	20'	13	25 7/8	25	26	20 7/8	8 1/8	40 1/2	35'-8"	12'-8 1/2"	5	4	
	10'	AL-FS-2000-34-53-10	Alum	20'	30	21	27 1/2	-	17 7/8	8	44 5/8	35'-8"	12'-11"	5	4	
	10'	GLCSL-FS-2000-34 (S or AL)-53-10	Steel	25'	13	25 7/8	26 3/8	29 3/8	20 7/8	8 1/8	40 1/2	35'-8"	12'-9 7/8"	5	3	
	12'	GLCS-FS-2000-34 (S or AL)-53-12	Steel	20'	13	25 7/8	25	26	20 7/8	8 1/8	40 1/2	35'-8"	14'-8 1/2"	5	4	
	12'	AL-FS-2000-34-53-12	Alum	20'	30	21	27 1/2	-	17 7/8	8	44 5/8	35'-8"	14'-11"	5	4	
	12'	GLCSL-FS-2000-34 (S or AL)-53-12	Steel	25'	13	25 7/8	26 3/8	29 3/8	20 7/8	8 1/8	40 1/2	35'-8"	14'-9 7/8"	5	3	
	14'	GLCS-FS-2000-34 (S or AL)-53-14	Steel	20'	13	25 7/8	25	26	20 7/8	8 1/8	40 1/2	35'-8"	16'-8 1/2"	5	4	
	14'	AL-FS-2000-34-53-14	Alum	20'	30	21	27 1/2	-	17 7/8	8	44 5/8	35'-8"	16'-11"	5	4	
	14'	GLCSL-FS-2000-34 (S or AL)-53-14	Steel	25'	13	25 7/8	26 3/8	29 3/8	20 7/8	8 1/8	40 1/2	35'-8"	16'-11 7/8"	5	3	
63'	10'	GLCS-FS-2000-34 (S or AL)-63-10	Steel	20'	19	25 7/8	25	26	20 7/8	8 1/8	40 1/2	35'-8"	12'-8 1/2"	5	4	
	10'	AL-FS-2000-34-63-10	Alum	20'	36	21	27 1/2	-	17 7/8	8	44 5/8	35'-8"	12'-11"	5	4	
	12'	GLCS-FS-2000-34 (S or AL)-63-12	Steel	20'	19	25 7/8	25	26	20 7/8	8 1/8	40 1/2	35'-8"	14'-8 1/2"	5	4	
	12'	AL-FS-2000-34-63-12	Alum	20'	36	21	27 1/2	-	17 7/8	8	44 5/8	35'-8"	14'-11"	5	4	
	14'	GLCS-FS-2000-34 (S or AL)-63-14	Steel	20'	19	25 7/8	25	26	20 7/8	8 1/8	40 1/2	35'-8"	16'-8 1/2"	5	4	
64'	10'	AL-FS-2000-34-63-14	Alum	20'	36	21	27 1/2	-	17 7/8	8	44 5/8	35'-8"	16'-11"	5	4	
	12'	GLCSLX-FS-2000-34 (S or AL)-64-10	Steel	30'	36	25 7/8	29	32	20 7/8	8 1/8	44 5/8	35'-8"	13'-2 1/2"	5	3	
	14'	GLCSLX-FS-2000-34 (S or AL)-64-14	Steel	30'	36	25 7/8	29	32	20 7/8	8 1/8	44 5/8	35'-8"	15'-2 1/2"	5	3	
78'	10'	GLCSL-FS-2000-34 (S or AL)-78-10	Steel	25'	46	25 7/8	26 3/8	29 3/8	20 7/8	8 1/8	44 5/8	35'-8"	12'-9 7/8"	5	4	
	12'	GLCSL-FS-2000-34 (S or AL)-78-12	Steel	25'	46	25 7/8	26 3/8	29 3/8	20 7/8	8 1/8	44 5/8	35'-8"	14'-9 7/8"	5	4	
	14'	GLCSL-FS-2000-34 (S or AL)-78-14	Steel	25'	46	25 7/8	26 3/8	29 3/8	20 7/8	8 1/8	44 5/8	35'-8"	16'-11 7/8"	5	4	
83'	10'	GLCS-FS-2000-34 (S or AL)-83-10	Steel	20'	46	25 7/8	25	26	20 7/8	8 1/8	44 5/8	35'-8"	12'-8 1/2"	5	5	
	10'	AL-FS-2000-34-83-10	Alum	20'	46	21	27 1/2	-	17 7/8	8	44 5/8	35'-8"	12'-11"	5	5	
	12'	GLCS-FS-2000-34 (S or AL)-83-12	Steel	20'	46	25 7/8	25	26	20 7/8	8 1/8	44 5/8	35'-8"	14'-8 1/2"	5	5	
	12'	AL-FS-2000-34-83-12	Alum	20'	46	21	27 1/2	-	17 7/8	8	44 5/8	35'-8"	14'-11"	5	5	
	14'	GLCS-FS-2000-34 (S or AL)-83-14	Steel	20'	46	25 7/8	25	26	20 7/8	8 1/8	44 5/8	35'-8"	16'-8 1/2"	5	5	
94'	10'	AL-FS-2000-34-83-14	Alum	20'	46	21	27 1/2	-	17 7/8	8	44 5/8	35'-8"	16'-11"	5	5	
	10'	GLCSLX-FS-2000-34 (S or AL)-94-10	Steel	30'	54	25 7/8	29	32	20 7/8	8 1/8	44 5/8	35'-8"	13'-2 1/2"	5	4	
	12'	GLCSLX-FS-2000-34 (S or AL)-94-12	Steel	30'	54	25 7/8	29	32	20 7/8	8 1/8	44 5/8	35'-8"	15'-2 1/2"	5	4	
103'	10'	GLCSLX-FS-2000-34 (S or AL)-94-14	Steel	30'	54	25 7/8	29	32	20 7/8	8 1/8	44 5/8	35'-8"	17'-2 1/2"	5	4	
	10'	GLCS-FS-2000-34 (S or AL)-103-10	Steel	20'	54	25 7/8	25	26	20 7/8	8 1/8	44 5/8	35'-8"	12'-8 1/2"	5	6	
	10'	AL-FS-2000-34-103-10	Alum	20'	54	21	27 1/2	-	17 7/8	8	44 5/8	35'-8"	12'-11"	5	6	
	10'	GLCSL-FS-2000-34 (S or AL)-103-10	Steel	25'	54	25 7/8	26 3/8	29 3/8	20 7/8	8 1/8	44 5/8	35'-8"	12'-9 7/8"	5	5	
	12'	GLCS-FS-2000-34 (S or AL)-103-12	Steel	20'	54	25 7/8	25	26	20 7/8	8 1/8	44 5/8	35'-8"	14'-8 1/2"	5	6	
	12'	AL-FS-2000-34-103-12	Alum	20'	54	21	27 1/2	-	17 7/8	8	44 5/8	35'-8"	14'-11"	5	6	
	12'	GLCSL-FS-2000-34 (S or AL)-103-12	Steel	25'	54	25 7/8	26 3/8	29 3/8	20 7/8	8 1/8	44 5/8	35'-8"	14'-9 7/8"	5	5	
	14'	GLCS-FS-2000-34 (S or AL)-103-14	Steel	20'	54	25 7/8	25	26	20 7/8	8 1/8	44 5/8	35'-8"	16'-8 1/2"	5	6	
124'	10'	AL-FS-2000-34-103-14	Alum	20'	54	21	27 1/2	-	17 7/8	8	44 5/8	35'-8"	16'-11"	5	6	
	10'	GLCSL-FS-2000-34 (S or AL)-103-14	Steel	25'	54	25 7/8	26 3/8	29 3/8	20 7/8	8 1/8	44 5/8	35'-8"	16'-11 7/8"	5	5	
	10'	GLCSLX-FS-2000-34 (S or AL)-124-10	Steel	30'	54	25 7/8	29	32	20 7/8	8 1/8	44 5/8	35'-8"	13'-2 1/2"	5	5	
124'	12'	GLCSLX-FS-2000-34 (S or AL)-124-12	Steel	30'	54	25 7/8	29	32	20 7/8	8 1/8	44 5/8	35'-8"	15'-2 1/2"	5	5	
	14'	GLCSLX-FS-2000-34 (S or AL)-124-14	Steel	30'	54	25 7/8	29	32	20 7/8	8 1/8	44 5/8	35'-8"	17'-2 1/2"	5	5	

*This column provides the total number of support assemblies based on the "L1" dimensions shown. Support assemblies are designed to AISC specifications and do not require bracing. If no movement of the support assembly is preferred, then bracing to the building steel is recommended (not included).

To Determine Hook Coverage: [Bridge Travel on Runway = Runway Length - (2xL8)] by [Hoist Trolley Travel on Bridge = Bridge Length - L3 - L6] (L6 allows for festoon stack-up).

Gorbel® Free Standing Work Station Bridge Crane Kits include: bridge, runways, the appropriate number of support assemblies, hoist trolley, end trucks, end stops, flat wire festooning, festoon gliders (festoon trolleys on steel runway lengths greater than 63' and all aluminum systems), festoon stack-up section, splice joints and hanger brackets. Hoist and anchor bolts provided by others.

Dimensions are for reference only and are subject to change without notice.

4000# CAPACITY

FREE STANDING WORK STATION CRANES

FREE STANDING WORK STATION BRIDGE CRANES

BRIDGE LENGTH (L)	RUNWAY LENGTH	TS	MODEL NUMBER	TRACK MAT.	RUNWAY			BRIDGE				SUPPORT STRUCTURE				
					MAX. L1	L7 in	L8 in	H3 in	H3A in	H4 in	L3 in	L6 in	OAW	OAH	D in	Sp#
15'	23'	10'	GLCS-FS-4000-15 (S or AL)-23-10	Steel	20'	9	25 7/8	29 3/8	32 1/2	21 3/8	15 1/8	38 1/2	17'-0"	12'-11 7/8"	7	2
		12'	GLCS-FS-4000-15 (S or AL)-23-12	Steel	20'	9	25 7/8	29 3/8	32 1/2	21 3/8	15 1/8	38 1/2	17'-0"	14'-11 7/8"	7	2
		14'	GLCS-FS-4000-15 (S or AL)-23-14	Steel	20'	9	25 7/8	29 3/8	32 1/2	21 3/8	15 1/8	38 1/2	17'-0"	16'-11 7/8"	7	2
	28'	10'	GLCSL-FS-4000-15 (S or AL)-28-10	Steel	25'	11	25 7/8	31 3/8	34 1/2	21 3/8	15 1/8	38 1/2	17'-0"	13'-1 7/8"	7	2
		12'	GLCSL-FS-4000-15 (S or AL)-28-12	Steel	25'	11	25 7/8	31 3/8	34 1/2	21 3/8	15 1/8	38 1/2	17'-0"	15'-1 7/8"	7	2
		14'	GLCSL-FS-4000-15 (S or AL)-28-14	Steel	25'	11	25 7/8	31 3/8	34 1/2	21 3/8	15 1/8	38 1/2	17'-0"	17'-1 7/8"	7	2
	33'	10'	GLCS-FS-4000-15 (S or AL)-33-10	Steel	20'	13	25 7/8	29 3/8	32 1/2	21 3/8	15 1/8	38 1/2	17'-0"	12'-11 7/8"	7	3
		12'	GLCS-FS-4000-15 (S or AL)-33-12	Steel	20'	13	25 7/8	29 3/8	32 1/2	21 3/8	15 1/8	38 1/2	17'-0"	14'-11 7/8"	7	3
		14'	GLCS-FS-4000-15 (S or AL)-33-14	Steel	20'	13	25 7/8	29 3/8	32 1/2	21 3/8	15 1/8	38 1/2	17'-0"	16'-11 7/8"	7	3
	34'	10'	GLCSLX-FS-4000-15 (S or AL)-34-10	Steel	30'	13	25 7/8	33 3/8	36 1/2	21 3/8	15 1/8	38 1/2	17'-0"	13'-3 7/8"	7	2
		12'	GLCSLX-FS-4000-15 (S or AL)-34-12	Steel	30'	13	25 7/8	33 3/8	36 1/2	21 3/8	15 1/8	38 1/2	17'-0"	15'-3 7/8"	7	2
		14'	GLCSLX-FS-4000-15 (S or AL)-34-14	Steel	30'	13	25 7/8	33 3/8	36 1/2	21 3/8	15 1/8	38 1/2	17'-0"	17'-3 7/8"	7	2
	43'	10'	GLCS-FS-4000-15 (S or AL)-43-10	Steel	20'	17	25 7/8	29 3/8	32 1/2	21 3/8	15 1/8	38 1/2	17'-0"	12'-11 7/8"	7	3
		12'	GLCS-FS-4000-15 (S or AL)-43-12	Steel	20'	17	25 7/8	29 3/8	32 1/2	21 3/8	15 1/8	38 1/2	17'-0"	14'-11 7/8"	7	3
		14'	GLCS-FS-4000-15 (S or AL)-43-14	Steel	20'	17	25 7/8	29 3/8	32 1/2	21 3/8	15 1/8	38 1/2	17'-0"	16'-11 7/8"	7	3
	53'	10'	GLCS-FS-4000-15 (S or AL)-53-10	Steel	20'	19	25 7/8	29 3/8	32 1/2	21 3/8	15 1/8	38 1/2	17'-0"	12'-11 7/8"	7	4
		10'	GLCSL-FS-4000-15 (S or AL)-53-10	Steel	25'	19	25 7/8	31 3/8	34 1/2	21 3/8	15 1/8	38 1/2	17'-0"	13'-1 7/8"	7	3
		12'	GLCS-FS-4000-15 (S or AL)-53-12	Steel	20'	19	25 7/8	29 3/8	32 1/2	21 3/8	15 1/8	38 1/2	17'-0"	14'-11 7/8"	7	4
		12'	GLCSL-FS-4000-15 (S or AL)-53-12	Steel	25'	19	25 7/8	31 3/8	34 1/2	21 3/8	15 1/8	38 1/2	17'-0"	15'-1 7/8"	7	3
		14'	GLCS-FS-4000-15 (S or AL)-53-14	Steel	20'	19	25 7/8	29 3/8	32 1/2	21 3/8	15 1/8	38 1/2	17'-0"	16'-11 7/8"	7	4
		14'	GLCSL-FS-4000-15 (S or AL)-53-14	Steel	25'	19	25 7/8	31 3/8	34 1/2	21 3/8	15 1/8	38 1/2	17'-0"	17'-1 7/8"	7	3
	63'	10'	GLCS-FS-4000-15 (S or AL)-63-10	Steel	20'	23	25 7/8	29 3/8	32 1/2	21 3/8	15 1/8	38 1/2	17'-0"	12'-11 7/8"	7	4
		12'	GLCS-FS-4000-15 (S or AL)-63-12	Steel	20'	23	25 7/8	29 3/8	32 1/2	21 3/8	15 1/8	38 1/2	17'-0"	14'-11 7/8"	7	4
		14'	GLCS-FS-4000-15 (S or AL)-63-14	Steel	20'	23	25 7/8	29 3/8	32 1/2	21 3/8	15 1/8	38 1/2	17'-0"	16'-11 7/8"	7	4
	64'	10'	GLCSLX-FS-4000-15 (S or AL)-64-10	Steel	30'	36	25 7/8	33 3/8	36 1/2	21 3/8	15 1/8	38 1/2	17'-0"	13'-3 7/8"	7	3
		12'	GLCSLX-FS-4000-15 (S or AL)-64-12	Steel	30'	36	25 7/8	33 3/8	36 1/2	21 3/8	15 1/8	38 1/2	17'-0"	15'-3 7/8"	7	3
		14'	GLCSLX-FS-4000-15 (S or AL)-64-14	Steel	30'	36	25 7/8	33 3/8	36 1/2	21 3/8	15 1/8	38 1/2	17'-0"	17'-3 7/8"	7	3
	78'	10'	GLCSL-FS-4000-15 (S or AL)-78-10	Steel	25'	46	25 7/8	31 3/8	34 1/2	21 3/8	15 1/8	38 1/2	17'-0"	13'-1 7/8"	7	4
		12'	GLCSL-FS-4000-15 (S or AL)-78-12	Steel	25'	46	25 7/8	31 3/8	34 1/2	21 3/8	15 1/8	38 1/2	17'-0"	15'-1 7/8"	7	4
		14'	GLCSL-FS-4000-15 (S or AL)-78-14	Steel	25'	46	25 7/8	31 3/8	34 1/2	21 3/8	15 1/8	38 1/2	17'-0"	17'-1 7/8"	7	4
	83'	10'	GLCS-FS-4000-15 (S or AL)-83-10	Steel	20'	46	25 7/8	29 3/8	32 1/2	21 3/8	15 1/8	38 1/2	17'-0"	12'-11 7/8"	7	5
		12'	GLCS-FS-4000-15 (S or AL)-83-12	Steel	20'	46	25 7/8	29 3/8	32 1/2	21 3/8	15 1/8	38 1/2	17'-0"	14'-11 7/8"	7	5
		14'	GLCS-FS-4000-15 (S or AL)-83-14	Steel	20'	46	25 7/8	29 3/8	32 1/2	21 3/8	15 1/8	38 1/2	17'-0"	16'-11 7/8"	7	5
	94'	10'	GLCSLX-FS-4000-15 (S or AL)-94-10	Steel	30'	53	25 7/8	33 3/8	36 1/2	21 3/8	15 1/8	38 1/2	17'-0"	13'-3 7/8"	7	4
		12'	GLCSLX-FS-4000-15 (S or AL)-94-12	Steel	30'	53	25 7/8	33 3/8	36 1/2	21 3/8	15 1/8	38 1/2	17'-0"	15'-3 7/8"	7	4
		14'	GLCSLX-FS-4000-15 (S or AL)-94-14	Steel	30'	53	25 7/8	33 3/8	36 1/2	21 3/8	15 1/8	38 1/2	17'-0"	17'-3 7/8"	7	4
	103'	10'	GLCS-FS-4000-15 (S or AL)-103-10	Steel	20'	54	25 7/8	29 3/8	32 1/2	21 3/8	15 1/8	38 1/2	17'-0"	12'-11 7/8"	7	6
		10'	GLCSL-FS-4000-15 (S or AL)-103-10	Steel	25'	54	25 7/8	31 3/8	34 1/2	21 3/8	15 1/8	38 1/2	17'-0"	13'-1 7/8"	7	5
		12'	GLCS-FS-4000-15 (S or AL)-103-12	Steel	20'	54	25 7/8	29 3/8	32 1/2	21 3/8	15 1/8	38 1/2	17'-0"	14'-11 7/8"	7	6
		12'	GLCSL-FS-4000-15 (S or AL)-103-12	Steel	25'	54	25 7/8	31 3/8	34 1/2	21 3/8	15 1/8	38 1/2	17'-0"	15'-1 7/8"	7	5
		14'	GLCS-FS-4000-15 (S or AL)-103-14	Steel	20'	54	25 7/8	29 3/8	32 1/2	21 3/8	15 1/8	38 1/2	17'-0"	16'-11 7/8"	7	6
	124'	10'	GLCSLX-FS-4000-15 (S or AL)-124-10	Steel	30'	54	25 7/8	33 3/8	36 1/2	21 3/8	15 1/8	38 1/2	17'-0"	13'-3 7/8"	7	5
		12'	GLCSLX-FS-4000-15 (S or AL)-124-12	Steel	30'	54	25 7/8	33 3/8	36 1/2	21 3/8	15 1/8	38 1/2	17'-0"	15'-3 7/8"	7	5
		14'	GLCSLX-FS-4000-15 (S or AL)-124-14	Steel	30'	54	25 7/8	33 3/8	36 1/2	21 3/8	15 1/8	38 1/2	17'-0"	17'-3 7/8"	7	5

*This column provides the total number of support assemblies based on the "L1" dimensions shown. Support assemblies are designed to AISC specifications and do not require bracing. If no movement of the support assembly is preferred, then bracing to the building steel is recommended (not included).

To Determine Hook Coverage: [Bridge Travel on Runway = Runway Length - (2xL8)] by [Hoist Trolley Travel on Bridge = Bridge Length - L3 - L6] (L6 allows for festoon stack-up).

Gorbel® Free Standing Work Station Bridge Crane Kits include: bridge, runways, the appropriate number of support assemblies, hoist trolley, end trucks, end stops, flat wire festooning, festoon gliders (festoon trolleys on steel runway lengths greater than 63' and all aluminum systems), festoon stack-up section, splice joints and hanger brackets. Hoist and anchor bolts provided by others.

Dimensions are for reference only and are subject to change without notice.

FREE STANDING WORK STATION BRIDGE CRANES

BRIDGE LENGTH (L)	RUNWAY LENGTH	TS	MODEL NUMBER	TRACK MAT.	RUNWAY			BRIDGE				SUPPORT STRUCTURE				
					MAX. L1	L7 in	L8 in	H3 in	H3A in	H4 in	L3 in	L6 in	OAW	OAH	D in	Spt*
20'	23'	10'	GLCS-FS-4000-20 (S or AL)-23-10	Steel	20'	9	25 7/8	29 3/8	32 1/2	21 3/8	15 1/8	38 1/2	22'-0"	12'-11 7/8"	7	2
		12'	GLCS-FS-4000-20 (S or AL)-23-12	Steel	20'	9	25 7/8	29 3/8	32 1/2	21 3/8	15 1/8	38 1/2	22'-0"	14'-11 7/8"	7	2
		14'	GLCS-FS-4000-20 (S or AL)-23-14	Steel	20'	9	25 7/8	29 3/8	32 1/2	21 3/8	15 1/8	38 1/2	22'-0"	16'-11 7/8"	7	2
	28'	10'	GLCSL-FS-4000-20 (S or AL)-28-10	Steel	25'	11	25 7/8	31 3/8	34 1/2	21 3/8	15 1/8	38 1/2	22'-0"	13'-1 7/8"	7	2
		12'	GLCSL-FS-4000-20 (S or AL)-28-12	Steel	25'	11	25 7/8	31 3/8	34 1/2	21 3/8	15 1/8	38 1/2	22'-0"	15'-1 7/8"	7	2
		14'	GLCSL-FS-4000-20 (S or AL)-28-14	Steel	25'	11	25 7/8	31 3/8	34 1/2	21 3/8	15 1/8	38 1/2	22'-0"	17'-1 7/8"	7	2
	33'	10'	GLCS-FS-4000-20 (S or AL)-33-10	Steel	20'	13	25 7/8	29 3/8	32 1/2	21 3/8	15 1/8	38 1/2	22'-0"	12'-11 7/8"	7	3
		12'	GLCS-FS-4000-20 (S or AL)-33-12	Steel	20'	13	25 7/8	29 3/8	32 1/2	21 3/8	15 1/8	38 1/2	22'-0"	14'-11 7/8"	7	3
		14'	GLCS-FS-4000-20 (S or AL)-33-14	Steel	20'	13	25 7/8	29 3/8	32 1/2	21 3/8	15 1/8	38 1/2	22'-0"	16'-11 7/8"	7	3
	34'	10'	GLCSLX-FS-4000-20 (S or AL)-34-10	Steel	30'	13	25 7/8	33 3/8	36 1/2	21 3/8	15 1/8	38 1/2	22'-0"	13'-3 7/8"	7	2
		12'	GLCSLX-FS-4000-20 (S or AL)-34-12	Steel	30'	13	25 7/8	33 3/8	36 1/2	21 3/8	15 1/8	38 1/2	22'-0"	15'-3 7/8"	7	2
		14'	GLCSLX-FS-4000-20 (S or AL)-34-14	Steel	30'	13	25 7/8	33 3/8	36 1/2	21 3/8	15 1/8	38 1/2	22'-0"	17'-3 7/8"	7	2
	43'	10'	GLCS-FS-4000-20 (S or AL)-43-10	Steel	20'	17	25 7/8	29 3/8	32 1/2	21 3/8	15 1/8	38 1/2	22'-0"	12'-11 7/8"	7	3
		12'	GLCS-FS-4000-20 (S or AL)-43-12	Steel	20'	17	25 7/8	29 3/8	32 1/2	21 3/8	15 1/8	38 1/2	22'-0"	14'-11 7/8"	7	3
		14'	GLCS-FS-4000-20 (S or AL)-43-14	Steel	20'	17	25 7/8	29 3/8	32 1/2	21 3/8	15 1/8	38 1/2	22'-0"	16'-11 7/8"	7	3
	53'	10'	GLCS-FS-4000-20 (S or AL)-53-10	Steel	20'	19	25 7/8	29 3/8	32 1/2	21 3/8	15 1/8	38 1/2	22'-0"	12'-11 7/8"	7	4
		10'	GLCSL-FS-4000-20 (S or AL)-53-10	Steel	25'	19	25 7/8	31 3/8	34 1/2	21 3/8	15 1/8	38 1/2	22'-0"	13'-1 7/8"	7	3
		12'	GLCS-FS-4000-20 (S or AL)-53-12	Steel	20'	19	25 7/8	29 3/8	32 1/2	21 3/8	15 1/8	38 1/2	22'-0"	14'-11 7/8"	7	4
		12'	GLCSL-FS-4000-20 (S or AL)-53-12	Steel	25'	19	25 7/8	31 3/8	34 1/2	21 3/8	15 1/8	38 1/2	22'-0"	15'-1 7/8"	7	3
		14'	GLCS-FS-4000-20 (S or AL)-53-14	Steel	20'	19	25 7/8	29 3/8	32 1/2	21 3/8	15 1/8	38 1/2	22'-0"	16'-11 7/8"	7	4
		14'	GLCSL-FS-4000-20 (S or AL)-53-14	Steel	25'	19	25 7/8	31 3/8	34 1/2	21 3/8	15 1/8	38 1/2	22'-0"	17'-1 7/8"	7	3
	63'	10'	GLCS-FS-4000-20 (S or AL)-63-10	Steel	20'	23	25 7/8	29 3/8	32 1/2	21 3/8	15 1/8	38 1/2	22'-0"	12'-11 7/8"	7	4
		12'	GLCS-FS-4000-20 (S or AL)-63-12	Steel	20'	23	25 7/8	29 3/8	32 1/2	21 3/8	15 1/8	38 1/2	22'-0"	14'-11 7/8"	7	4
		14'	GLCS-FS-4000-20 (S or AL)-63-14	Steel	20'	23	25 7/8	29 3/8	32 1/2	21 3/8	15 1/8	38 1/2	22'-0"	16'-11 7/8"	7	4
	64'	10'	GLCSLX-FS-4000-20 (S or AL)-64-10	Steel	30'	36	25 7/8	33 3/8	36 1/2	21 3/8	15 1/8	38 1/2	22'-0"	13'-3 7/8"	7	3
		12'	GLCSLX-FS-4000-20 (S or AL)-64-12	Steel	30'	36	25 7/8	33 3/8	36 1/2	21 3/8	15 1/8	38 1/2	22'-0"	15'-3 7/8"	7	3
		14'	GLCSLX-FS-4000-20 (S or AL)-64-14	Steel	30'	36	25 7/8	33 3/8	36 1/2	21 3/8	15 1/8	38 1/2	22'-0"	17'-3 7/8"	7	3
	78'	10'	GLCSL-FS-4000-20 (S or AL)-78-10	Steel	25'	46	25 7/8	31 3/8	34 1/2	21 3/8	15 1/8	38 1/2	22'-0"	13'-1 7/8"	7	4
		12'	GLCSL-FS-4000-20 (S or AL)-78-12	Steel	25'	46	25 7/8	31 3/8	34 1/2	21 3/8	15 1/8	38 1/2	22'-0"	15'-1 7/8"	7	4
		14'	GLCSL-FS-4000-20 (S or AL)-78-14	Steel	25'	46	25 7/8	31 3/8	34 1/2	21 3/8	15 1/8	38 1/2	22'-0"	17'-1 7/8"	7	4
	83'	10'	GLCS-FS-4000-20 (S or AL)-83-10	Steel	20'	46	25 7/8	29 3/8	32 1/2	21 3/8	15 1/8	38 1/2	22'-0"	12'-11 7/8"	7	5
		12'	GLCS-FS-4000-20 (S or AL)-83-12	Steel	20'	46	25 7/8	29 3/8	32 1/2	21 3/8	15 1/8	38 1/2	22'-0"	14'-11 7/8"	7	5
		14'	GLCS-FS-4000-20 (S or AL)-83-14	Steel	20'	46	25 7/8	29 3/8	32 1/2	21 3/8	15 1/8	38 1/2	22'-0"	16'-11 7/8"	7	5
	94'	10'	GLCSLX-FS-4000-20 (S or AL)-94-10	Steel	30'	53	25 7/8	33 3/8	36 1/2	21 3/8	15 1/8	38 1/2	22'-0"	13'-3 7/8"	7	4
		12'	GLCSLX-FS-4000-20 (S or AL)-94-12	Steel	30'	53	25 7/8	33 3/8	36 1/2	21 3/8	15 1/8	38 1/2	22'-0"	15'-3 7/8"	7	4
		14'	GLCSLX-FS-4000-20 (S or AL)-94-14	Steel	30'	53	25 7/8	33 3/8	36 1/2	21 3/8	15 1/8	38 1/2	22'-0"	17'-3 7/8"	7	4
	103'	10'	GLCS-FS-4000-20 (S or AL)-103-10	Steel	20'	54	25 7/8	29 3/8	32 1/2	21 3/8	15 1/8	38 1/2	22'-0"	12'-11 7/8"	7	6
		10'	GLCSL-FS-4000-20 (S or AL)-103-10	Steel	25'	54	25 7/8	31 3/8	34 1/2	21 3/8	15 1/8	38 1/2	22'-0"	13'-1 7/8"	7	5
		12'	GLCS-FS-4000-20 (S or AL)-103-12	Steel	20'	54	25 7/8	29 3/8	32 1/2	21 3/8	15 1/8	38 1/2	22'-0"	14'-11 7/8"	7	6
		12'	GLCSL-FS-4000-20 (S or AL)-103-12	Steel	25'	54	25 7/8	31 3/8	34 1/2	21 3/8	15 1/8	38 1/2	22'-0"	15'-1 7/8"	7	5
		14'	GLCS-FS-4000-20 (S or AL)-103-14	Steel	20'	54	25 7/8	29 3/8	32 1/2	21 3/8	15 1/8	38 1/2	22'-0"	16'-11 7/8"	7	6
	124'	10'	GLCSLX-FS-4000-20 (S or AL)-124-10	Steel	30'	54	25 7/8	33 3/8	36 1/2	21 3/8	15 1/8	38 1/2	22'-0"	13'-3 7/8"	7	5
		12'	GLCSLX-FS-4000-20 (S or AL)-124-12	Steel	30'	54	25 7/8	33 3/8	36 1/2	21 3/8	15 1/8	38 1/2	22'-0"	15'-3 7/8"	7	5
		14'	GLCSLX-FS-4000-20 (S or AL)-124-14	Steel	30'	54	25 7/8	33 3/8	36 1/2	21 3/8	15 1/8	38 1/2	22'-0"	17'-3 7/8"	7	5

*This column provides the total number of support assemblies based on the "L1" dimensions shown. Support assemblies are designed to AISC specifications and do not require bracing. If no movement of the support assembly is preferred, then bracing to the building steel is recommended (not included).

To Determine Hook Coverage: [Bridge Travel on Runway = Runway Length - (2xL8)] by [Hoist Trolley Travel on Bridge = Bridge Length - L3 - L6] (L6 allows for festoon stack-up).

Gorbel® Free Standing Work Station Bridge Crane Kits include: bridge, runways, the appropriate number of support assemblies, hoist trolley, end trucks, end stops, flat wire festooning, festoon gliders (festoon trolleys on steel runway lengths greater than 63' and all aluminum systems), festoon stack-up section, splice joints and hanger brackets. Hoist and anchor bolts provided by others.

Dimensions are for reference only and are subject to change without notice.

4000# CAPACITY

FREE STANDING WORK STATION CRANES

FREE STANDING WORK STATION BRIDGE CRANES

BRIDGE LENGTH (L)	RUNWAY LENGTH	TS	MODEL NUMBER	TRACK MAT.	RUNWAY			BRIDGE				SUPPORT STRUCTURE				
					MAX. L1	L7 in	L8 in	H3 in	H3A in	H4 in	L3 in	L6 in	OAW	OAH	D in	Sp#
23'	23'	10'	GLCS-FS-4000-23 (S or AL)-23-10	Steel	20'	9	25 7/8	29 3/8	32 1/2	21 3/8	15 1/8	38 1/2	30'-0"	12'-11 7/8"	7	2
		12'	GLCS-FS-4000-23 (S or AL)-23-12	Steel	20'	9	25 7/8	29 3/8	32 1/2	21 3/8	15 1/8	38 1/2	30'-0"	14'-11 7/8"	7	2
		14'	GLCS-FS-4000-23 (S or AL)-23-14	Steel	20'	9	25 7/8	29 3/8	32 1/2	21 3/8	15 1/8	38 1/2	30'-0"	16'-11 7/8"	7	2
	28'	10'	GLCSL-FS-4000-23 (S or AL)-28-10	Steel	25'	13	25 7/8	31 3/8	34 1/2	21 3/8	15 1/8	38 1/2	30'-0"	13'-1 7/8"	7	2
		12'	GLCSL-FS-4000-23 (S or AL)-28-12	Steel	25'	13	25 7/8	31 3/8	34 1/2	21 3/8	15 1/8	38 1/2	30'-0"	15'-1 7/8"	7	2
		14'	GLCSL-FS-4000-23 (S or AL)-28-14	Steel	25'	13	25 7/8	31 3/8	34 1/2	21 3/8	15 1/8	38 1/2	30'-0"	17'-1 7/8"	7	2
	33'	10'	GLCS-FS-4000-23 (S or AL)-33-10	Steel	20'	13	25 7/8	29 3/8	32 1/2	21 3/8	15 1/8	38 1/2	30'-0"	12'-11 7/8"	7	3
		12'	GLCS-FS-4000-23 (S or AL)-33-12	Steel	20'	13	25 7/8	29 3/8	32 1/2	21 3/8	15 1/8	38 1/2	30'-0"	14'-11 7/8"	7	3
		14'	GLCS-FS-4000-23 (S or AL)-33-14	Steel	20'	13	25 7/8	29 3/8	32 1/2	21 3/8	15 1/8	38 1/2	30'-0"	16'-11 7/8"	7	3
	34'	10'	GLCSLX-FS-4000-23 (S or AL)-34-10	Steel	30'	13	25 7/8	33 3/8	36 1/2	21 3/8	15 1/8	38 1/2	30'-0"	13'-3 7/8"	7	2
		12'	GLCSLX-FS-4000-23 (S or AL)-34-12	Steel	30'	13	25 7/8	33 3/8	36 1/2	21 3/8	15 1/8	38 1/2	30'-0"	15'-3 7/8"	7	2
		14'	GLCSLX-FS-4000-23 (S or AL)-34-14	Steel	30'	13	25 7/8	33 3/8	36 1/2	21 3/8	15 1/8	38 1/2	30'-0"	17'-3 7/8"	7	2
	43'	10'	GLCS-FS-4000-23 (S or AL)-43-10	Steel	20'	19	25 7/8	29 3/8	32 1/2	21 3/8	15 1/8	38 1/2	30'-0"	12'-11 7/8"	7	3
		12'	GLCS-FS-4000-23 (S or AL)-43-12	Steel	20'	19	25 7/8	29 3/8	32 1/2	21 3/8	15 1/8	38 1/2	30'-0"	14'-11 7/8"	7	3
		14'	GLCS-FS-4000-23 (S or AL)-43-14	Steel	20'	19	25 7/8	29 3/8	32 1/2	21 3/8	15 1/8	38 1/2	30'-0"	16'-11 7/8"	7	3
	53'	10'	GLCS-FS-4000-23 (S or AL)-53-10	Steel	20'	19	25 7/8	29 3/8	32 1/2	21 3/8	15 1/8	38 1/2	30'-0"	12'-11 7/8"	7	4
		10'	GLCSL-FS-4000-23 (S or AL)-53-10	Steel	25'	19	25 7/8	31 3/8	34 1/2	21 3/8	15 1/8	38 1/2	30'-0"	13'-1 7/8"	7	3
		12'	GLCS-FS-4000-23 (S or AL)-53-12	Steel	20'	19	25 7/8	29 3/8	32 1/2	21 3/8	15 1/8	38 1/2	30'-0"	14'-11 7/8"	7	4
		12'	GLCSL-FS-4000-23 (S or AL)-53-12	Steel	25'	19	25 7/8	31 3/8	34 1/2	21 3/8	15 1/8	38 1/2	30'-0"	15'-1 7/8"	7	3
		14'	GLCS-FS-4000-23 (S or AL)-53-14	Steel	20'	19	25 7/8	29 3/8	32 1/2	21 3/8	15 1/8	38 1/2	30'-0"	16'-11 7/8"	7	4
		14'	GLCSL-FS-4000-23 (S or AL)-53-14	Steel	25'	19	25 7/8	31 3/8	34 1/2	21 3/8	15 1/8	38 1/2	30'-0"	17'-1 7/8"	7	3
	63'	10'	GLCS-FS-4000-23 (S or AL)-63-10	Steel	20'	26	25 7/8	29 3/8	32 1/2	21 3/8	15 1/8	38 1/2	30'-0"	12'-11 7/8"	7	4
		12'	GLCS-FS-4000-23 (S or AL)-63-12	Steel	20'	26	25 7/8	29 3/8	32 1/2	21 3/8	15 1/8	38 1/2	30'-0"	14'-11 7/8"	7	4
		14'	GLCS-FS-4000-23 (S or AL)-63-14	Steel	20'	26	25 7/8	29 3/8	32 1/2	21 3/8	15 1/8	38 1/2	30'-0"	16'-11 7/8"	7	4
	64'	10'	GLCSLX-FS-4000-23 (S or AL)-64-10	Steel	30'	36	25 7/8	33 3/8	36 1/2	21 3/8	15 1/8	38 1/2	30'-0"	13'-3 7/8"	7	3
		12'	GLCSLX-FS-4000-23 (S or AL)-64-12	Steel	30'	36	25 7/8	33 3/8	36 1/2	21 3/8	15 1/8	38 1/2	30'-0"	15'-3 7/8"	7	3
		14'	GLCSLX-FS-4000-23 (S or AL)-64-14	Steel	30'	36	25 7/8	33 3/8	36 1/2	21 3/8	15 1/8	38 1/2	30'-0"	17'-3 7/8"	7	3
	78'	10'	GLCSL-FS-4000-23 (S or AL)-78-10	Steel	25'	46	25 7/8	31 3/8	34 1/2	21 3/8	15 1/8	38 1/2	30'-0"	13'-1 7/8"	7	4
		12'	GLCSL-FS-4000-23 (S or AL)-78-12	Steel	25'	46	25 7/8	31 3/8	34 1/2	21 3/8	15 1/8	38 1/2	30'-0"	15'-1 7/8"	7	4
		14'	GLCSL-FS-4000-23 (S or AL)-78-14	Steel	25'	46	25 7/8	31 3/8	34 1/2	21 3/8	15 1/8	38 1/2	30'-0"	17'-1 7/8"	7	4
	83'	10'	GLCS-FS-4000-23 (S or AL)-83-10	Steel	20'	46	25 7/8	29 3/8	32 1/2	21 3/8	15 1/8	38 1/2	30'-0"	12'-11 7/8"	7	5
		12'	GLCS-FS-4000-23 (S or AL)-83-12	Steel	20'	46	25 7/8	29 3/8	32 1/2	21 3/8	15 1/8	38 1/2	30'-0"	14'-11 7/8"	7	5
		14'	GLCS-FS-4000-23 (S or AL)-83-14	Steel	20'	46	25 7/8	29 3/8	32 1/2	21 3/8	15 1/8	38 1/2	30'-0"	16'-11 7/8"	7	5
	94'	10'	GLCSLX-FS-4000-23 (S or AL)-94-10	Steel	30'	54	25 7/8	33 3/8	36 1/2	21 3/8	15 1/8	38 1/2	30'-0"	13'-3 7/8"	7	4
		12'	GLCSLX-FS-4000-23 (S or AL)-94-12	Steel	30'	54	25 7/8	33 3/8	36 1/2	21 3/8	15 1/8	38 1/2	30'-0"	15'-3 7/8"	7	4
		14'	GLCSLX-FS-4000-23 (S or AL)-94-14	Steel	30'	54	25 7/8	33 3/8	36 1/2	21 3/8	15 1/8	38 1/2	30'-0"	17'-3 7/8"	7	4
	103'	10'	GLCS-FS-4000-23 (S or AL)-103-10	Steel	20'	54	25 7/8	29 3/8	32 1/2	21 3/8	15 1/8	38 1/2	30'-0"	12'-11 7/8"	7	6
		10'	GLCSL-FS-4000-23 (S or AL)-103-10	Steel	25'	54	25 7/8	31 3/8	34 1/2	21 3/8	15 1/8	38 1/2	30'-0"	13'-1 7/8"	7	5
		12'	GLCS-FS-4000-23 (S or AL)-103-12	Steel	20'	54	25 7/8	29 3/8	32 1/2	21 3/8	15 1/8	38 1/2	30'-0"	14'-11 7/8"	7	6
		12'	GLCSL-FS-4000-23 (S or AL)-103-12	Steel	25'	54	25 7/8	31 3/8	34 1/2	21 3/8	15 1/8	38 1/2	30'-0"	15'-1 7/8"	7	5
		14'	GLCS-FS-4000-23 (S or AL)-103-14	Steel	20'	54	25 7/8	29 3/8	32 1/2	21 3/8	15 1/8	38 1/2	30'-0"	16'-11 7/8"	7	6
	124'	10'	GLCSLX-FS-4000-23 (S or AL)-124-10	Steel	30'	54	25 7/8	33 3/8	36 1/2	21 3/8	15 1/8	38 1/2	30'-0"	13'-3 7/8"	7	5
		12'	GLCSLX-FS-4000-23 (S or AL)-124-12	Steel	30'	54	25 7/8	33 3/8	36 1/2	21 3/8	15 1/8	38 1/2	30'-0"	15'-3 7/8"	7	5
		14'	GLCSLX-FS-4000-23 (S or AL)-124-14	Steel	30'	54	25 7/8	33 3/8	36 1/2	21 3/8	15 1/8	38 1/2	30'-0"	17'-3 7/8"	7	5

*This column provides the total number of support assemblies based on the "L1" dimensions shown. Support assemblies are designed to AISC specifications and do not require bracing. If no movement of the support assembly is preferred, then bracing to the building steel is recommended (not included).

To Determine Hook Coverage: [Bridge Travel on Runway = Runway Length - (2xL8)] by [Hoist Trolley Travel on Bridge = Bridge Length - L3 - L6] (L6 allows for festoon stack-up).

Gorbel® Free Standing Work Station Bridge Crane Kits include: bridge, runways, the appropriate number of support assemblies, hoist trolley, end trucks, end stops, flat wire festooning, festoon gliders (festoon trolleys on steel runway lengths greater than 63' and all aluminum systems), festoon stack-up section, splice joints and hanger brackets. Hoist and anchor bolts provided by others.

Dimensions are for reference only and are subject to change without notice.

FREE STANDING WORK STATION BRIDGE CRANES

BRIDGE LENGTH (L)	RUNWAY LENGTH	TS	MODEL NUMBER	TRACK MAT.	RUNWAY			BRIDGE				SUPPORT STRUCTURE				
					MAX. L1	L7 in	L8 in	H3 in	H3A in	H4 in	L3 in	L6 in	OAW	OAH	D in	Spt*
28'	23'	10'	GLCS-FS-4000-28 (S or AL)-23-10	Steel	20'	9	25 7/8	29 3/8	32 1/2	23 3/8	15 1/8	41 1/2	36'-0"	13'-0 7/8"	7	2
		12'	GLCS-FS-4000-28 (S or AL)-23-12	Steel	20'	9	25 7/8	29 3/8	32 1/2	23 3/8	15 1/8	41 1/2	36'-0"	15'-0 7/8"	7	2
		14'	GLCS-FS-4000-28 (S or AL)-23-14	Steel	20'	9	25 7/8	29 3/8	32 1/2	23 3/8	15 1/8	41 1/2	36'-0"	17'-0 7/8"	7	2
	28'	10'	GLCSL-FS-4000-28 (S or AL)-28-10	Steel	25'	9	25 7/8	31 3/8	34 1/2	23 3/8	15 1/8	41 1/2	36'-0"	13'-2 7/8"	7	2
		12'	GLCSL-FS-4000-28 (S or AL)-28-12	Steel	25'	9	25 7/8	31 3/8	34 1/2	23 3/8	15 1/8	41 1/2	36'-0"	15'-2 7/8"	7	2
		14'	GLCSL-FS-4000-28 (S or AL)-28-14	Steel	25'	9	25 7/8	31 3/8	34 1/2	23 3/8	15 1/8	41 1/2	36'-0"	17'-2 7/8"	7	2
	33'	10'	GLCS-FS-4000-28 (S or AL)-33-10	Steel	20'	9	25 7/8	29 3/8	32 1/2	23 3/8	15 1/8	41 1/2	36'-0"	13'-0 7/8"	7	3
		12'	GLCS-FS-4000-28 (S or AL)-33-12	Steel	20'	9	25 7/8	29 3/8	32 1/2	23 3/8	15 1/8	41 1/2	36'-0"	15'-0 7/8"	7	3
		14'	GLCS-FS-4000-28 (S or AL)-33-14	Steel	20'	9	25 7/8	29 3/8	32 1/2	23 3/8	15 1/8	41 1/2	36'-0"	17'-0 7/8"	7	3
	34'	10'	GLCSLX-FS-4000-28 (S or AL)-34-10	Steel	30'	9	25 7/8	33 3/8	36 1/2	23 3/8	15 1/8	41 1/2	36'-0"	13'-4 7/8"	7	2
		12'	GLCSLX-FS-4000-28 (S or AL)-34-12	Steel	30'	9	25 7/8	33 3/8	36 1/2	23 3/8	15 1/8	41 1/2	36'-0"	15'-4 7/8"	7	2
		14'	GLCSLX-FS-4000-28 (S or AL)-34-14	Steel	30'	9	25 7/8	33 3/8	36 1/2	23 3/8	15 1/8	41 1/2	36'-0"	17'-4 7/8"	7	2
	43'	10'	GLCS-FS-4000-28 (S or AL)-43-10	Steel	20'	13	25 7/8	29 3/8	32 1/2	23 3/8	15 1/8	41 1/2	36'-0"	13'-0 7/8"	7	3
		12'	GLCS-FS-4000-28 (S or AL)-43-12	Steel	20'	13	25 7/8	29 3/8	32 1/2	23 3/8	15 1/8	41 1/2	36'-0"	15'-0 7/8"	7	3
		14'	GLCS-FS-4000-28 (S or AL)-43-14	Steel	20'	13	25 7/8	29 3/8	32 1/2	23 3/8	15 1/8	41 1/2	36'-0"	17'-0 7/8"	7	3
	53'	10'	GLCS-FS-4000-28 (S or AL)-53-10	Steel	20'	13	25 7/8	29 3/8	32 1/2	23 3/8	15 1/8	41 1/2	36'-0"	13'-0 7/8"	7	4
		10'	GLCSL-FS-4000-28 (S or AL)-53-10	Steel	25'	13	25 7/8	31 3/8	34 1/2	23 3/8	15 1/8	41 1/2	36'-0"	13'-2 7/8"	7	3
		12'	GLCS-FS-4000-28 (S or AL)-53-12	Steel	20'	13	25 7/8	29 3/8	32 1/2	23 3/8	15 1/8	41 1/2	36'-0"	15'-0 7/8"	7	4
		12'	GLCSL-FS-4000-28 (S or AL)-53-12	Steel	25'	13	25 7/8	31 3/8	34 1/2	23 3/8	15 1/8	41 1/2	36'-0"	15'-2 7/8"	7	3
		14'	GLCS-FS-4000-28 (S or AL)-53-14	Steel	20'	13	25 7/8	29 3/8	32 1/2	23 3/8	15 1/8	41 1/2	36'-0"	17'-0 7/8"	7	4
		14'	GLCSL-FS-4000-28 (S or AL)-53-14	Steel	25'	13	25 7/8	31 3/8	34 1/2	23 3/8	15 1/8	41 1/2	36'-0"	17'-2 7/8"	7	3
	63'	10'	GLCS-FS-4000-28 (S or AL)-63-10	Steel	20'	19	25 7/8	29 3/8	32 1/2	23 3/8	15 1/8	41 1/2	36'-0"	13'-0 7/8"	7	4
		12'	GLCS-FS-4000-28 (S or AL)-63-12	Steel	20'	19	25 7/8	29 3/8	32 1/2	23 3/8	15 1/8	41 1/2	36'-0"	15'-0 7/8"	7	4
		14'	GLCS-FS-4000-28 (S or AL)-63-14	Steel	20'	19	25 7/8	29 3/8	32 1/2	23 3/8	15 1/8	41 1/2	36'-0"	17'-0 7/8"	7	4
	64'	10'	GLCSLX-FS-4000-28 (S or AL)-64-10	Steel	30'	36	25 7/8	33 3/8	36 1/2	23 3/8	15 1/8	44 7/8	36'-0"	13'-4 7/8"	7	3
		12'	GLCSLX-FS-4000-28 (S or AL)-64-12	Steel	30'	36	25 7/8	33 3/8	36 1/2	23 3/8	15 1/8	44 7/8	36'-0"	15'-4 7/8"	7	3
		14'	GLCSLX-FS-4000-28 (S or AL)-64-14	Steel	30'	36	25 7/8	33 3/8	36 1/2	23 3/8	15 1/8	44 7/8	36'-0"	17'-4 7/8"	7	3
	78'	10'	GLCSL-FS-4000-28 (S or AL)-78-10	Steel	25'	46	25 7/8	31 3/8	34 1/2	23 3/8	15 1/8	44 7/8	36'-0"	13'-2 7/8"	7	4
		12'	GLCSL-FS-4000-28 (S or AL)-78-12	Steel	25'	46	25 7/8	31 3/8	34 1/2	23 3/8	15 1/8	44 7/8	36'-0"	15'-2 7/8"	7	4
		14'	GLCSL-FS-4000-28 (S or AL)-78-14	Steel	25'	46	25 7/8	31 3/8	34 1/2	23 3/8	15 1/8	44 7/8	36'-0"	17'-2 7/8"	7	4
	83'	10'	GLCS-FS-4000-28 (S or AL)-83-10	Steel	20'	46	25 7/8	29 3/8	32 1/2	23 3/8	15 1/8	44 7/8	36'-0"	13'-0 7/8"	7	5
		12'	GLCS-FS-4000-28 (S or AL)-83-12	Steel	20'	46	25 7/8	29 3/8	32 1/2	23 3/8	15 1/8	44 7/8	36'-0"	15'-0 7/8"	7	5
		14'	GLCS-FS-4000-28 (S or AL)-83-14	Steel	20'	46	25 7/8	29 3/8	32 1/2	23 3/8	15 1/8	44 7/8	36'-0"	17'-0 7/8"	7	5
	94'	10'	GLCSLX-FS-4000-28 (S or AL)-94-10	Steel	30'	54	25 7/8	33 3/8	36 1/2	23 3/8	15 1/8	44 7/8	36'-0"	13'-4 7/8"	7	4
		12'	GLCSLX-FS-4000-28 (S or AL)-94-12	Steel	30'	54	25 7/8	33 3/8	36 1/2	23 3/8	15 1/8	44 7/8	36'-0"	15'-4 7/8"	7	4
		14'	GLCSLX-FS-4000-28 (S or AL)-94-14	Steel	30'	54	25 7/8	33 3/8	36 1/2	23 3/8	15 1/8	44 7/8	36'-0"	17'-4 7/8"	7	4
	103'	10'	GLCS-FS-4000-28 (S or AL)-103-10	Steel	20'	54	25 7/8	29 3/8	32 1/2	23 3/8	15 1/8	44 7/8	36'-0"	13'-0 7/8"	7	6
		10'	GLCSL-FS-4000-28 (S or AL)-103-10	Steel	25'	54	25 7/8	31 3/8	34 1/2	23 3/8	15 1/8	44 7/8	36'-0"	13'-2 7/8"	7	5
		12'	GLCS-FS-4000-28 (S or AL)-103-12	Steel	20'	54	25 7/8	29 3/8	32 1/2	23 3/8	15 1/8	44 7/8	36'-0"	15'-0 7/8"	7	6
		12'	GLCSL-FS-4000-28 (S or AL)-103-12	Steel	25'	54	25 7/8	31 3/8	34 1/2	23 3/8	15 1/8	44 7/8	36'-0"	15'-2 7/8"	7	5
		14'	GLCS-FS-4000-28 (S or AL)-103-14	Steel	20'	54	25 7/8	29 3/8	32 1/2	23 3/8	15 1/8	44 7/8	36'-0"	17'-0 7/8"	7	6
	124'	10'	GLCSLX-FS-4000-28 (S or AL)-124-10	Steel	30'	54	25 7/8	33 3/8	36 1/2	23 3/8	15 1/8	44 7/8	36'-0"	13'-4 7/8"	7	5
		12'	GLCSLX-FS-4000-28 (S or AL)-124-12	Steel	30'	54	25 7/8	33 3/8	36 1/2	23 3/8	15 1/8	44 7/8	36'-0"	15'-4 7/8"	7	5
		14'	GLCSLX-FS-4000-28 (S or AL)-124-14	Steel	30'	54	25 7/8	33 3/8	36 1/2	23 3/8	15 1/8	44 7/8	36'-0"	17'-4 7/8"	7	5

*This column provides the total number of support assemblies based on the "L1" dimensions shown. Support assemblies are designed to AISC specifications and do not require bracing. If no movement of the support assembly is preferred, then bracing to the building steel is recommended (not included).

To Determine Hook Coverage: [Bridge Travel on Runway = Runway Length - (2xL8)] by [Hoist Trolley Travel on Bridge = Bridge Length - L3 - L6] (L6 allows for festoon stack-up).

Gorbel® Free Standing Work Station Bridge Crane Kits include: bridge, runways, the appropriate number of support assemblies, hoist trolley, end trucks, end stops, flat wire festooning, festoon gliders (festoon trolleys on steel runway lengths greater than 63' and all aluminum systems), festoon stack-up section, splice joints and hanger brackets. Hoist and anchor bolts provided by others.

Dimensions are for reference only and are subject to change without notice.

4000# CAPACITY

FREE STANDING WORK STATION CRANES

FREE STANDING WORK STATION BRIDGE CRANES

BRIDGE LENGTH (L)	RUNWAY LENGTH	TS	MODEL NUMBER	TRACK MAT.	RUNWAY			BRIDGE				SUPPORT STRUCTURE				
					MAX. L1	L7 in	L8 in	H3 in	H3A in	H4 in	L3 in	L6 in	OAW	OAH	D in	Spt
34'	28'	10'	GLCSL-FS-4000-34 (S or AL)-28-10	Steel	25'	13	25 7/8	31 3/8	34 1/2	25 3/8	15 1/8	47 1/2	36'-0"	13'-4 7/8"	7	2
		12'	GLCSL-FS-4000-34 (S or AL)-28-12	Steel	25'	13	25 7/8	31 3/8	34 1/2	25 3/8	15 1/8	47 1/2	36'-0"	15'-4 7/8"	7	2
		14'	GLCSL-FS-4000-34 (S or AL)-28-14	Steel	25'	13	25 7/8	31 3/8	34 1/2	25 3/8	15 1/8	47 1/2	36'-0"	17'-4 7/8"	7	2
	33'	10'	GLCS-FS-4000-34 (S or AL)-33-10	Steel	20'	9	25 7/8	29 3/8	32 1/2	25 3/8	15 1/8	47 1/2	36'-0"	13'-2 7/8"	7	3
		12'	GLCS-FS-4000-34 (S or AL)-33-12	Steel	20'	9	25 7/8	29 3/8	32 1/2	25 3/8	15 1/8	47 1/2	36'-0"	15'-2 7/8"	7	3
		14'	GLCS-FS-4000-34 (S or AL)-33-14	Steel	20'	9	25 7/8	29 3/8	32 1/2	25 3/8	15 1/8	47 1/2	36'-0"	17'-2 7/8"	7	3
	34'	10'	GLCSLX-FS-4000-34 (S or AL)-34-10	Steel	30'	9	25 7/8	33 3/8	36 1/2	25 3/8	15 1/8	47 1/2	36'-0"	13'-6 7/8"	7	2
		12'	GLCSLX-FS-4000-34 (S or AL)-34-12	Steel	30'	9	25 7/8	33 3/8	36 1/2	25 3/8	15 1/8	47 1/2	36'-0"	15'-6 7/8"	7	2
		14'	GLCSLX-FS-4000-34 (S or AL)-34-14	Steel	30'	9	25 7/8	33 3/8	36 1/2	25 3/8	15 1/8	47 1/2	36'-0"	17'-6 7/8"	7	2
	43'	10'	GLCS-FS-4000-34 (S or AL)-43-10	Steel	20'	13	25 7/8	29 3/8	32 1/2	25 3/8	15 1/8	47 1/2	36'-0"	13'-2 7/8"	7	3
		12'	GLCS-FS-4000-34 (S or AL)-43-12	Steel	20'	13	25 7/8	29 3/8	32 1/2	25 3/8	15 1/8	47 1/2	36'-0"	15'-2 7/8"	7	3
		14'	GLCS-FS-4000-34 (S or AL)-43-14	Steel	20'	13	25 7/8	29 3/8	32 1/2	25 3/8	15 1/8	47 1/2	36'-0"	17'-2 7/8"	7	3
53'	10'	GLCS-FS-4000-34 (S or AL)-53-10	Steel	20'	13	25 7/8	29 3/8	32 1/2	25 3/8	15 1/8	47 1/2	36'-0"	13'-2 7/8"	7	4	
	10'	GLCSL-FS-4000-34 (S or AL)-53-10	Steel	25'	13	25 7/8	31 3/8	34 1/2	25 3/8	15 1/8	47 1/2	36'-0"	13'-4 7/8"	7	3	
	12'	GLCS-FS-4000-34 (S or AL)-53-12	Steel	20'	13	25 7/8	29 3/8	32 1/2	25 3/8	15 1/8	47 1/2	36'-0"	15'-2 7/8"	7	4	
	12'	GLCSL-FS-4000-34 (S or AL)-53-12	Steel	25'	13	25 7/8	31 3/8	34 1/2	25 3/8	15 1/8	47 1/2	36'-0"	15'-4 7/8"	7	3	
	14'	GLCS-FS-4000-34 (S or AL)-53-14	Steel	20'	13	25 7/8	29 3/8	32 1/2	25 3/8	15 1/8	47 1/2	36'-0"	17'-2 7/8"	7	4	
	14'	GLCSL-FS-4000-34 (S or AL)-53-14	Steel	25'	13	25 7/8	31 3/8	34 1/2	25 3/8	15 1/8	47 1/2	36'-0"	17'-4 7/8"	7	3	
63'	10'	GLCS-FS-4000-34 (S or AL)-63-10	Steel	20'	19	25 7/8	29 3/8	32 1/2	25 3/8	15 1/8	47 1/2	36'-0"	13'-2 7/8"	7	4	
	12'	GLCS-FS-4000-34 (S or AL)-63-12	Steel	20'	19	25 7/8	29 3/8	32 1/2	25 3/8	15 1/8	47 1/2	36'-0"	15'-2 7/8"	7	4	
	14'	GLCS-FS-4000-34 (S or AL)-63-14	Steel	20'	19	25 7/8	29 3/8	32 1/2	25 3/8	15 1/8	47 1/2	36'-0"	17'-2 7/8"	7	4	
64'	10'	GLCSLX-FS-4000-34 (S or AL)-64-10	Steel	30'	36	25 7/8	33 3/8	36 1/2	25 3/8	15 1/8	51 5/8	36'-0"	13'-6 7/8"	7	3	
	12'	GLCSLX-FS-4000-34 (S or AL)-64-12	Steel	30'	36	25 7/8	33 3/8	36 1/2	25 3/8	15 1/8	51 5/8	36'-0"	15'-6 7/8"	7	3	
	14'	GLCSLX-FS-4000-34 (S or AL)-64-14	Steel	30'	36	25 7/8	33 3/8	36 1/2	25 3/8	15 1/8	51 5/8	36'-0"	17'-6 7/8"	7	3	
78'	10'	GLCSL-FS-4000-34 (S or AL)-78-10	Steel	25'	46	25 7/8	31 3/8	34 1/2	25 3/8	15 1/8	51 5/8	36'-0"	13'-4 7/8"	7	4	
	12'	GLCS-FS-4000-34 (S or AL)-78-12	Steel	25'	46	25 7/8	31 3/8	34 1/2	25 3/8	15 1/8	51 5/8	36'-0"	15'-4 7/8"	7	4	
	14'	GLCSL-FS-4000-34 (S or AL)-78-14	Steel	25'	46	25 7/8	31 3/8	34 1/2	25 3/8	15 1/8	51 5/8	36'-0"	17'-4 7/8"	7	4	
83'	10'	GLCS-FS-4000-34 (S or AL)-83-10	Steel	20'	46	25 7/8	29 3/8	32 1/2	25 3/8	15 1/8	51 5/8	36'-0"	13'-2 7/8"	7	5	
	12'	GLCS-FS-4000-34 (S or AL)-83-12	Steel	20'	46	25 7/8	29 3/8	32 1/2	25 3/8	15 1/8	51 5/8	36'-0"	15'-2 7/8"	7	5	
	14'	GLCS-FS-4000-34 (S or AL)-83-14	Steel	20'	46	25 7/8	29 3/8	32 1/2	25 3/8	15 1/8	51 5/8	36'-0"	17'-2 7/8"	7	5	
94'	10'	GLCSLX-FS-4000-34 (S or AL)-94-10	Steel	30'	54	25 7/8	33 3/8	36 1/2	25 3/8	15 1/8	51 5/8	36'-0"	13'-6 7/8"	7	4	
	12'	GLCSLX-FS-4000-34 (S or AL)-94-12	Steel	30'	54	25 7/8	33 3/8	36 1/2	25 3/8	15 1/8	51 5/8	36'-0"	15'-6 7/8"	7	4	
	14'	GLCSLX-FS-4000-34 (S or AL)-94-14	Steel	30'	54	25 7/8	33 3/8	36 1/2	25 3/8	15 1/8	51 5/8	36'-0"	17'-6 7/8"	7	4	
103'	10'	GLCS-FS-4000-34 (S or AL)-103-10	Steel	20'	54	25 7/8	29 3/8	32 1/2	25 3/8	15 1/8	51 5/8	36'-0"	13'-2 7/8"	7	6	
	10'	GLCSL-FS-4000-34 (S or AL)-103-10	Steel	25'	54	25 7/8	31 3/8	34 1/2	25 3/8	15 1/8	51 5/8	36'-0"	13'-4 7/8"	7	5	
	12'	GLCS-FS-4000-34 (S or AL)-103-12	Steel	20'	54	25 7/8	29 3/8	32 1/2	25 3/8	15 1/8	51 5/8	36'-0"	15'-2 7/8"	7	6	
	12'	GLCSL-FS-4000-34 (S or AL)-103-12	Steel	25'	54	25 7/8	31 3/8	34 1/2	25 3/8	15 1/8	51 5/8	36'-0"	15'-4 7/8"	7	5	
	14'	GLCS-FS-4000-34 (S or AL)-103-14	Steel	20'	54	25 7/8	29 3/8	32 1/2	25 3/8	15 1/8	51 5/8	36'-0"	17'-2 7/8"	7	6	
124'	10'	GLCSLX-FS-4000-34 (S or AL)-124-10	Steel	30'	54	25 7/8	33 3/8	36 1/2	25 3/8	15 1/8	51 5/8	36'-0"	13'-6 7/8"	7	5	
	12'	GLCSLX-FS-4000-34 (S or AL)-124-12	Steel	30'	54	25 7/8	33 3/8	36 1/2	25 3/8	15 1/8	51 5/8	36'-0"	15'-6 7/8"	7	5	
	14'	GLCSLX-FS-4000-34 (S or AL)-124-14	Steel	30'	54	25 7/8	33 3/8	36 1/2	25 3/8	15 1/8	51 5/8	36'-0"	17'-6 7/8"	7	5	

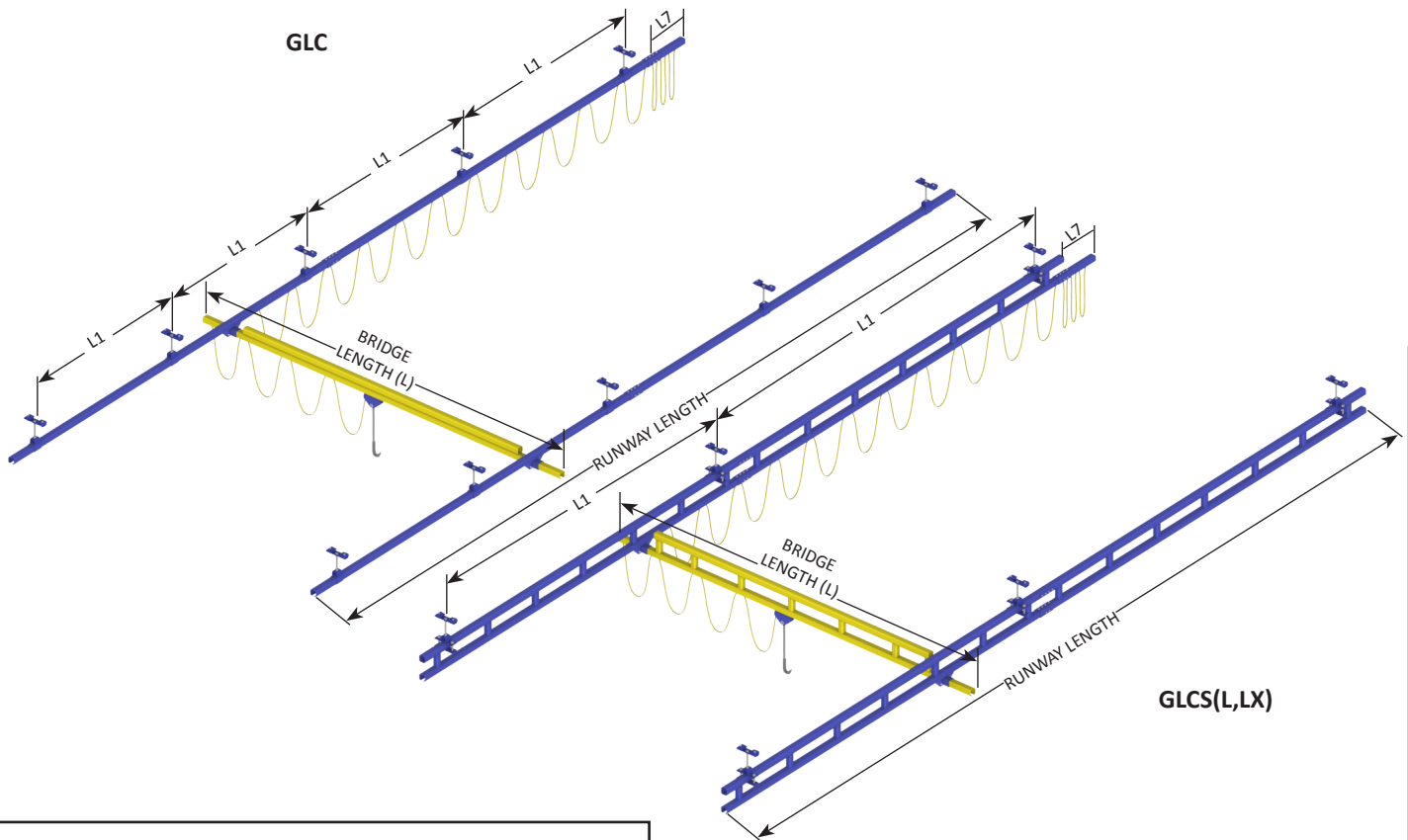
*This column provides the total number of support assemblies based on the "L1" dimensions shown. Support assemblies are designed to AISC specifications and do not require bracing. If no movement of the support assembly is preferred, then bracing to the building steel is recommended (not included).

To Determine Hook Coverage: [Bridge Travel on Runway = Runway Length - (2xL8)] by [Hoist Trolley Travel on Bridge = Bridge Length - L3 - L6] (L6 allows for festoon stack-up).

Gorbel® Free Standing Work Station Bridge Crane Kits include: bridge, runways, the appropriate number of support assemblies, hoist trolley, end trucks, end stops, flat wire festooning, festoon gliders (festoon trolleys on steel runway lengths greater than 63' and all aluminum systems), festoon stack-up section, splice joints and hanger brackets. Hoist and anchor bolts provided by others.

Dimensions are for reference only and are subject to change without notice.

STEEL CEILING MOUNTED WORK STATION BRIDGE CRANES ISOMETRIC VIEW



CEILING MOUNTED WORK STATION BRIDGE CRANES

Model Number: _____

Capacity: _____ pounds

Bridge Length (L): _____ (OAL)

Runway Length: _____ (OAL)

L1: _____ Are the number of support assemblies provided sufficient?
(See "HANGERS" column on dimensional chart pages)

Type of hanger required:

Standard hanger with up to 20 inch drop.
Support beam flange width _____ inches

Flush mounted, parallel
Support beam flange width _____ inches

Flush mounted, perpendicular
Support beam flange width _____ inches

Special hangers

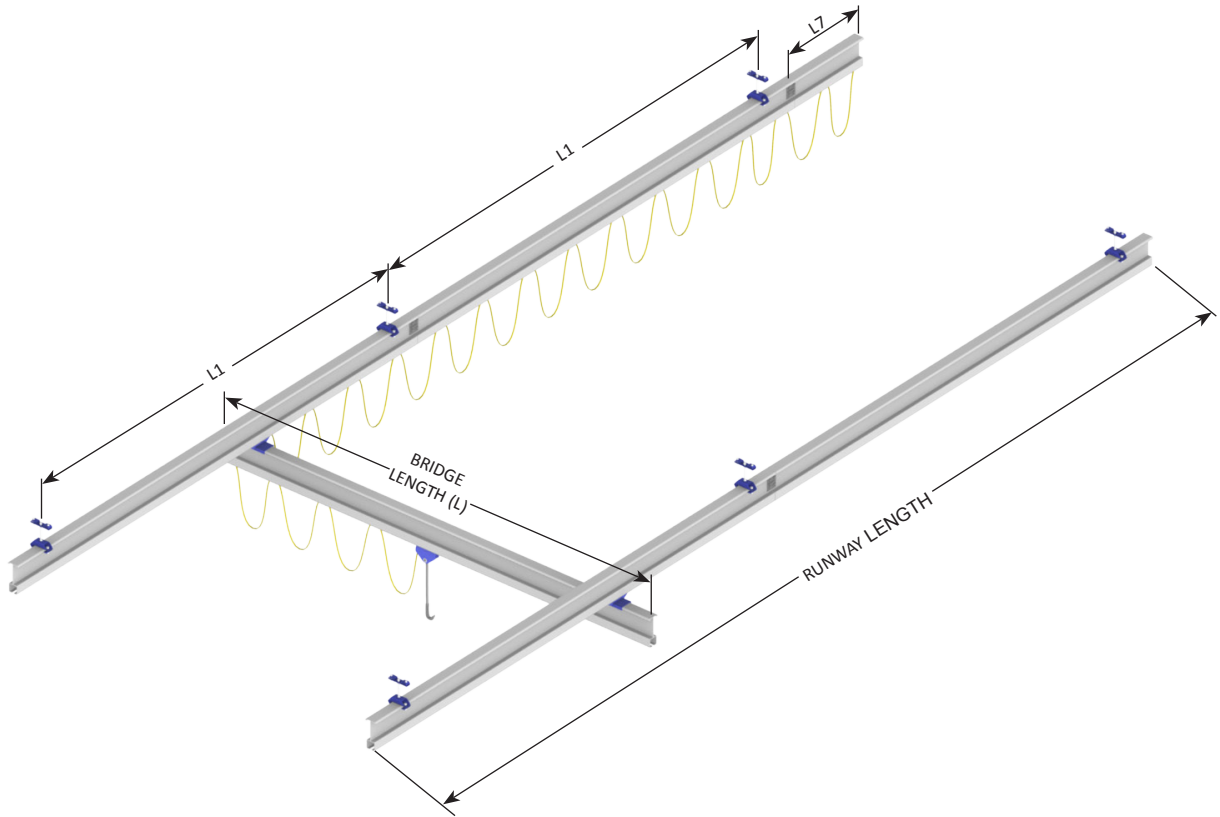
Note: Sway bracing is required on all systems except flush mounted systems. Sway bracing kits are available but are not included in the crane kit.

C: _____ inches (hoist by others)

Gorbel® Ceiling Mounted Bridge Cranes include: bridge, runways, hoist trolley, end trucks, end stops, flat wire festooning, festoon gliders (festoon trolleys on steel runway lengths greater than 63 feet and all aluminum systems), festoon stack-up section, splice joints and hanger brackets. Additional hanger points or longer drops, in excess of 20 inches, can be provided at an additional cost (hoist and sway bracing by others). Sway bracing kits are available but are not included in the crane kit.

Dimension and design details subject to change without notice.

ALUMINUM CEILING MOUNTED WORK STATION BRIDGE CRANES ISOMETRIC VIEW



CEILING MOUNTED WORK STATION BRIDGE CRANES

Model Number: _____

Capacity: _____ pounds

Bridge Length (L): _____ (OAL)

Runway Length: _____ (OAL)

L1: _____ Are the number of support assemblies provided sufficient?
(See "HANGERS" column on dimensional chart pages)

Type of hanger required:

- Standard hanger with up to 20 inch drop.
Support beam flange width _____ inches
- Flush mounted, parallel
Support beam flange width _____ inches
- Flush mounted, perpendicular
Support beam flange width _____ inches
- Special hangers

Note: Sway bracing is required on all systems except flush mounted systems. Sway bracing kits are available but are not included in the crane kit.

C: _____ inches (hoist by others)

Gorbel® Ceiling Mounted Bridge Cranes include: bridge, runways, hoist trolley, end trucks, end stops, flat wire festooning, festoon gliders (festoon trolleys on steel runway lengths greater than 63 feet and all aluminum systems), festoon stack-up section, splice joints and hanger brackets. Additional hanger points or longer drops, in excess of 20 inches, can be provided at an additional cost (hoist and sway bracing by others). Sway bracing kits are available but are not included in the crane kit.

Dimension and design details subject to change without notice.

STEEL CEILING MOUNTED WORK STATION BRIDGE CRANES

Model Number: _____

Capacity: _____ pounds

Bridge Length (L): _____ (OAL)

Runway Length: _____ (OAL)

L1: _____ Are the number of support assemblies provided sufficient?

(See "HANGERS" column on dimensional chart pages)

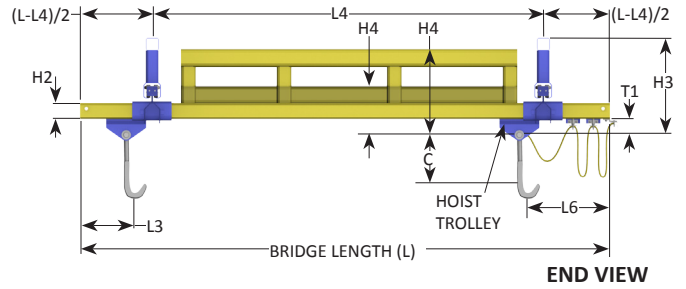
Type of hanger required:

- Standard hanger with up to 20 inch drop.
Support beam flange width _____ inches
- Flush mounted, parallel
Support beam flange width _____ inches
- Flush mounted, perpendicular
Support beam flange width _____ inches
- Special hangers

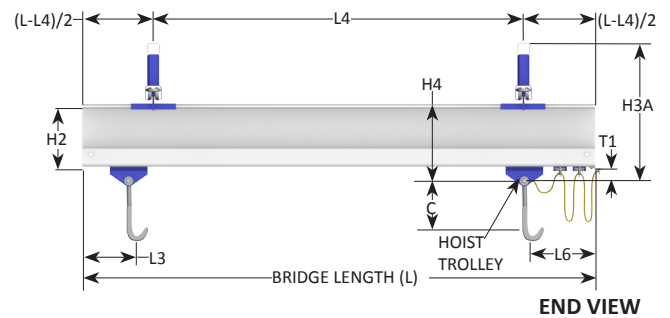
Note: Sway bracing is required on all systems except flush mounted systems. Sway bracing kits are available but are not included in the crane kit.

C: _____ inches (hoist by others)

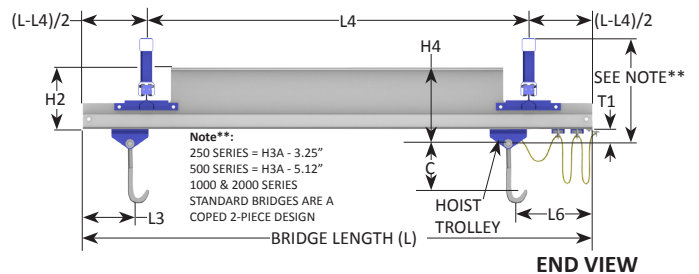
STEEL TRACK BRIDGE ON STEEL RUNWAYS



ALUMINUM TRACK BRIDGE ON STEEL RUNWAYS



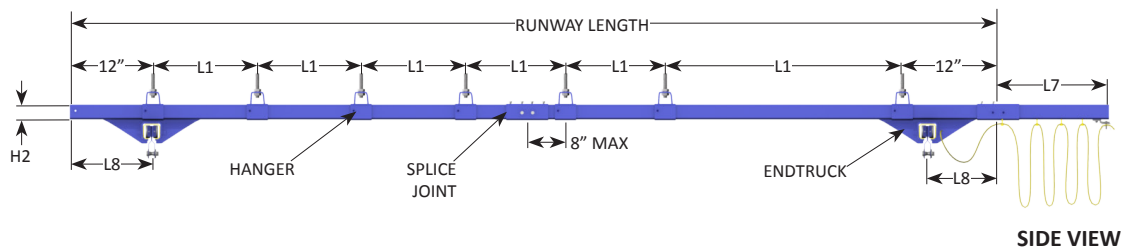
COPEDED ALUMIINUM TRACK BRIDGE ON STEEL RUNWAYS



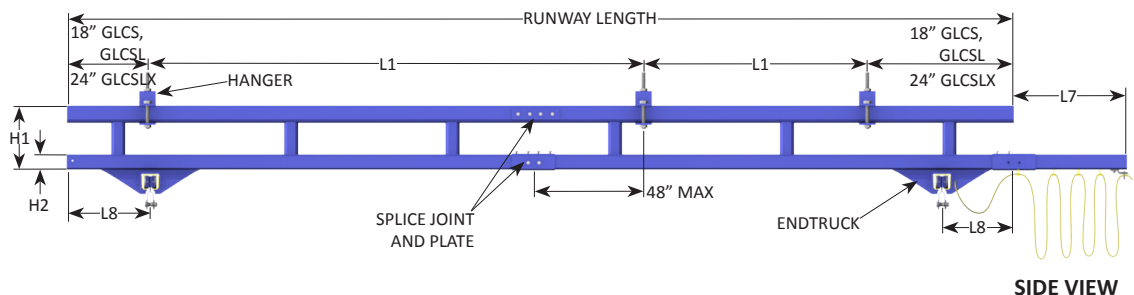
Gorbel® Ceiling Mounted Bridge Cranes include: bridge, runways, hoist trolley, end trucks, end stops, flat wire festooning, festoon gliders (festoon trolleys on steel runway lengths greater than 63 feet and all aluminum systems), festoon stack-up section, splice joints and hanger brackets. Additional hanger points or longer drops, in excess of 20 inches, can be provided at an additional cost (hoist and sway bracing by others). Sway bracing kits are available but are not included in the crane kit.

Dimension and design details subject to change without notice.

GLC STEEL RUNWAY



GLCS, GLCSL, GLCSLX STEEL RUNWAY



ALUMINUM CEILING MOUNTED WORK STATION BRIDGE CRANES

CEILING MOUNTED WORK STATION BRIDGE CRANES

Model Number: _____

Capacity: _____ pounds

Bridge Length (L): _____ (OAL)

Runway Length: _____ (OAL)

L1: _____ Are the number of support assemblies provided sufficient?
(See "HANGERS" column on dimensional chart pages)

Type of hanger required:

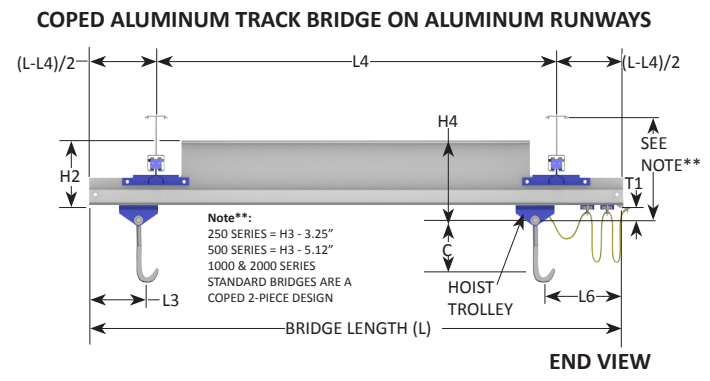
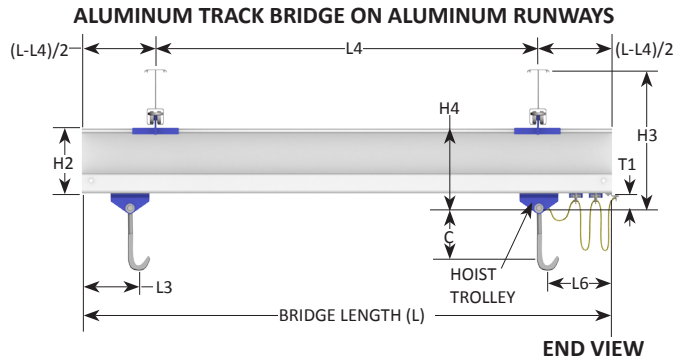
- Standard hanger with up to 20 inch drop.
Support beam flange width _____ inches
- Flush mounted, parallel
Support beam flange width _____ inches
- Flush mounted, perpendicular
Support beam flange width _____ inches
- Special hangers

Note: Sway bracing is required on all systems except flush mounted systems. Sway bracing kits are available but are not included in the crane kit.

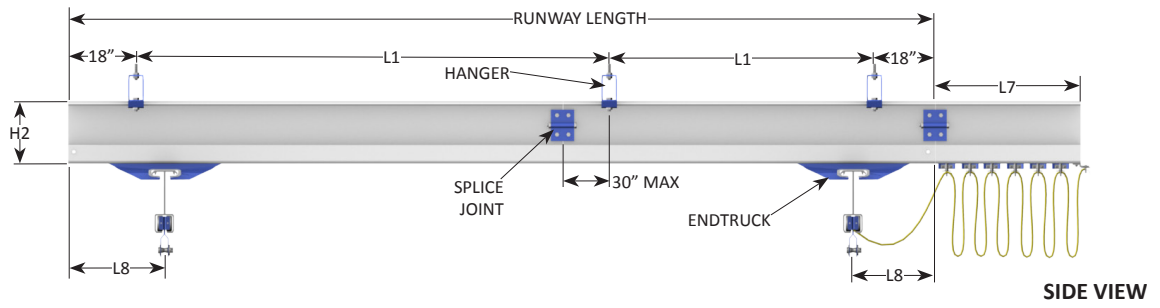
C: _____ inches (hoist by others)

Gorbel® Ceiling Mounted Bridge Cranes include: bridge, runways, hoist trolley, end trucks, end stops, flat wire festooning, festoon gliders (festoon trolleys on steel runway lengths greater than 63 feet and all aluminum systems), festoon stack-up section, splice joints and hanger brackets. Additional hanger points or longer drops, in excess of 20 inches, can be provided at an additional cost (hoist and sway bracing by others). Sway bracing kits are available but are not included in the crane kit.

Dimension and design details subject to change without notice.



ALUMINUM RUNWAY



CEILING MOUNTED WORK STATION BRIDGE CRANES

BRIDGE LENGTH (L)	RUNWAY LENGTH	MODEL NUMBER	TRACK MATL.	BRIDGE									RUNWAY				
				MAX L1	T1 in	L3 in	L4 ft	L6 in	H3 in	H3A in	H4 in	H2 in	H1 in	L7 in	L8 in	HANGERS (See Note)*	
8'	11'-6"	GLC250-8 (S or AL)-11.5	Steel	6'	1 1/2	5 1/16	6'-6"	7	5 11/16	13 7/16	4 3/4	1 3/4	-	9	10 3/4	6 @ 379#	
		GLCS250-8 (S or AL)-11.5	Steel	20'	1 1/2	5 1/16	6'-6"	7	12 15/16	20 11/16	4 3/4	1 3/4	9	9	10 3/4	4 @ 462#	
		AL250-8-11.5	Alum	20'	2 11/16	7 3/16	6'-6"	13 7/8	19 15/16	-	10 11/16	8	-	9	13 1/4	4 @ 443#	
	23'	GLC250-8 (S or AL)-23	Steel	6'	1 1/2	5 1/16	6'-6"	7	5 11/16	13 7/16	4 3/4	1 3/4	-	9	10 3/4	10 @ 379#	
		GLCS250-8 (S or AL)-23	Steel	20'	1 1/2	5 1/16	6'-6"	7	12 15/16	20 11/16	4 3/4	1 3/4	9	9	10 3/4	4 @ 462#	
		AL250-8-23	Alum	20'	2 11/16	7 3/16	6'-6"	13 7/8	19 15/16	-	10 11/16	8	-	14	13 1/4	4 @ 443#	
	28'	GLCSL250-8 (S or AL)-28	Steel	25'	1 1/2	5 1/16	6'-6"	7	14 15/16	22 11/16	4 3/4	1 3/4	11	9	10 3/4	4 @ 574#	
		GLC250-8 (S or AL)-33	Steel	6'	1 1/2	5 1/16	6'-6"	7	5 11/16	13 7/16	4 3/4	1 3/4	-	9	10 3/4	14 @ 379#	
		GLCS250-8 (S or AL)-33	Steel	20'	1 1/2	5 1/16	6'-6"	7	12 15/16	20 11/16	4 3/4	1 3/4	9	9	10 3/4	6 @ 462#	
	33'	AL250-8-33	Alum	20'	2 11/16	7 3/16	6'-6"	13 7/8	19 15/16	-	10 11/16	8	-	20	13 1/4	6 @ 443#	
		GLC250-8 (S or AL)-43	Steel	6'	1 1/2	5 1/16	6'-6"	7	5 11/16	13 7/16	4 3/4	1 3/4	-	13	10 3/4	18 @ 379#	
		GLCS250-8 (S or AL)-43	Steel	20'	1 1/2	5 1/16	6'-6"	7	12 15/16	20 11/16	4 3/4	1 3/4	9	13	10 3/4	6 @ 462#	
	43'	AL250-8-43	Alum	20'	2 11/16	7 3/16	6'-6"	13 7/8	19 15/16	-	10 11/16	8	-	27	13 1/4	6 @ 443#	
		GLC250-8 (S or AL)-53	Steel	6'	1 1/2	5 1/16	6'-6"	7	5 11/16	13 7/16	4 3/4	1 3/4	-	13	10 3/4	22 @ 379#	
		GLCS250-8 (S or AL)-53	Steel	20'	1 1/2	5 1/16	6'-6"	7	12 15/16	20 11/16	4 3/4	1 3/4	9	13	10 3/4	8 @ 462#	
	53'	AL250-8-53	Alum	20'	2 11/16	7 3/16	6'-6"	13 7/8	19 15/16	-	10 11/16	8	-	30	13 1/4	8 @ 443#	
		GLCSL250-8 (S or AL)-53	Steel	25'	1 1/2	5 1/16	6'-6"	7	14 15/16	22 11/16	4 3/4	1 3/4	11	13	10 3/4	6 @ 574#	
		GLC250-8 (S or AL)-63	Steel	6'	1 1/2	5 1/16	6'-6"	7	5 11/16	13 7/16	4 3/4	1 3/4	-	19	10 3/4	26 @ 379#	
63'	GLCS250-8 (S or AL)-63	Steel	20'	1 1/2	5 1/16	6'-6"	7	12 15/16	20 11/16	4 3/4	1 3/4	9	19	10 3/4	8 @ 462#		
	AL250-8-63	Alum	20'	2 11/16	7 3/16	6'-6"	13 7/8	19 15/16	-	10 11/16	8	-	37	13 1/4	8 @ 443#		
	GLCSL250-8 (S or AL)-78	Steel	25'	1 1/2	5 1/16	6'-6"	11 3/4	14 15/16	22 11/16	4 3/4	1 3/4	11	54	10 3/4	8 @ 574#		
83'	GLC250-8 (S or AL)-83	Steel	6'	1 1/2	5 1/16	6'-6"	11 3/4	5 11/16	13 7/16	4 3/4	1 3/4	-	54	10 3/4	34 @ 579#		
	GLCS250-8 (S or AL)-83	Steel	20'	1 1/2	5 1/16	6'-6"	11 3/4	12 15/16	20 11/16	4 3/4	1 3/4	9	54	10 3/4	10 @ 462#		
	AL250-8-83	Alum	20'	2 11/16	7 3/16	6'-6"	13 7/8	19 15/16	-	10 11/16	8	-	47	13 1/4	10 @ 443#		
103'	GLC250-8 (S or AL)-103	Steel	6'	1 1/2	5 1/16	6'-6"	11 3/4	5 11/16	13 7/16	4 3/4	1 3/4	-	54	10 3/4	42 @ 379#		
	GLCS250-8 (S or AL)-103	Steel	20'	1 1/2	5 1/16	6'-6"	11 3/4	12 15/16	20 11/16	4 3/4	1 3/4	9	54	10 3/4	12 @ 462#		
	AL250-8-103	Alum	20'	2 11/16	7 3/16	6'-6"	13 7/8	19 15/16	-	10 11/16	8	-	53	13 1/4	12 @ 443#		
GLCSL250-8 (S or AL)-103	Steel	25'	1 1/2	5 1/16	6'-6"	11 3/4	14 15/16	22 11/16	4 3/4	1 3/4	11	54	10 3/4	10 @ 574#			
10'	11'-6"	GLC250-10 (S or AL)-11.5	Steel	6'	1 1/2	5 1/16	8'-0"	8 1/4	5 11/16	13 7/16	4 3/4	1 3/4	-	9	10 3/4	6 @ 382#	
		GLCS250-10 (S or AL)-11.5	Steel	20'	1 1/2	5 1/16	8'-0"	8 1/4	12 15/16	20 11/16	4 3/4	1 3/4	9	9	10 3/4	4 @ 465#	
		AL250-10-11.5	Alum	20'	2 11/16	7 3/16	8'-0"	17 1/4	19 15/16	-	10 11/16	8	-	9	13 1/4	4 @ 446#	
	23'	GLC250-10 (S or AL)-23	Steel	6'	1 1/2	5 1/16	8'-0"	8 1/4	5 11/16	13 7/16	4 3/4	1 3/4	-	9	10 3/4	10 @ 382#	
		GLCS250-10 (S or AL)-23	Steel	20'	1 1/2	5 1/16	8'-0"	8 1/4	12 15/16	20 11/16	4 3/4	1 3/4	9	9	10 3/4	4 @ 465#	
		AL250-10-23	Alum	20'	2 11/16	7 3/16	8'-0"	17 1/4	19 15/16	-	10 11/16	8	-	14	13 1/4	4 @ 446#	
	28'	GLCSL250-10 (S or AL)-28	Steel	25'	1 1/2	5 1/16	8'-0"	8 1/4	14 15/16	22 11/16	4 3/4	1 3/4	11	9	10 3/4	4 @ 578#	
		GLC250-10 (S or AL)-33	Steel	6'	1 1/2	5 1/16	8'-0"	8 1/4	5 11/16	13 7/16	4 3/4	1 3/4	-	9	10 3/4	14 @ 382#	
		GLCS250-10 (S or AL)-33	Steel	20'	1 1/2	5 1/16	8'-0"	8 1/4	12 15/16	20 11/16	4 3/4	1 3/4	9	9	10 3/4	6 @ 465#	
	33'	AL250-10-33	Alum	20'	2 11/16	7 3/16	8'-0"	17 1/4	19 15/16	-	10 11/16	8	-	20	13 1/4	6 @ 446#	
		GLC250-10 (S or AL)-43	Steel	6'	1 1/2	5 1/16	8'-0"	8 1/4	5 11/16	13 7/16	4 3/4	1 3/4	-	13	10 3/4	18 @ 382#	
		GLCS250-10 (S or AL)-43	Steel	20'	1 1/2	5 1/16	8'-0"	8 1/4	12 15/16	20 11/16	4 3/4	1 3/4	9	13	10 3/4	6 @ 465#	
	43'	AL250-10-43	Alum	20'	2 11/16	7 3/16	8'-0"	17 1/4	19 15/16	-	10 11/16	8	-	27	13 1/4	6 @ 446#	
		GLC250-10 (S or AL)-53	Steel	6'	1 1/2	5 1/16	8'-0"	8 1/4	5 11/16	13 7/16	4 3/4	1 3/4	-	13	10 3/4	22 @ 382#	
		GLCS250-10 (S or AL)-53	Steel	20'	1 1/2	5 1/16	8'-0"	8 1/4	12 15/16	20 11/16	4 3/4	1 3/4	9	13	10 3/4	8 @ 465#	
	53'	AL250-10-53	Alum	20'	2 11/16	7 3/16	8'-0"	17 1/4	19 15/16	-	10 11/16	8	-	30	13 1/4	8 @ 446#	
		GLCSL250-10 (S or AL)-53	Steel	25'	1 1/2	5 1/16	8'-0"	8 1/4	14 15/16	22 11/16	4 3/4	1 3/4	11	13	10 3/4	6 @ 578#	
		GLC250-10 (S or AL)-63	Steel	6'	1 1/2	5 1/16	8'-0"	8 1/4	5 11/16	13 7/16	4 3/4	1 3/4	-	19	10 3/4	26 @ 382#	
63'	GLCS250-10 (S or AL)-63	Steel	20'	1 1/2	5 1/16	8'-0"	8 1/4	12 15/16	20 11/16	4 3/4	1 3/4	9	19	10 3/4	8 @ 465#		
	AL250-10-63	Alum	20'	2 11/16	7 3/16	8'-0"	17 1/4	19 15/16	-	10 11/16	8	-	37	13 1/4	8 @ 446#		
	GLCSL250-10 (S or AL)-78	Steel	25'	1 1/2	5 1/16	8'-0"	15 1/8	14 15/16	22 11/16	4 3/4	1 3/4	11	54	10 3/4	8 @ 578#		
83'	GLC250-10 (S or AL)-83	Steel	6'	1 1/2	5 1/16	8'-0"	15 1/8	5 11/16	13 7/16	4 3/4	1 3/4	-	54	10 3/4	34 @ 382#		
	GLCS250-10 (S or AL)-83	Steel	20'	1 1/2	5 1/16	8'-0"	15 1/8	12 15/16	20 11/16	4 3/4	1 3/4	9	54	10 3/4	10 @ 465#		
	AL250-10-83	Alum	20'	2 11/16	7 3/16	8'-0"	17 1/4	19 15/16	-	10 11/16	8	-	47	13 1/4	10 @ 446#		
103'	GLC250-10 (S or AL)-103	Steel	6'	1 1/2	5 1/16	8'-0"	15 1/8	5 11/16	13 7/16	4 3/4	1 3/4	-	54	10 3/4	42 @ 382#		
	GLCS250-10 (S or AL)-103	Steel	20'	1 1/2	5 1/16	8'-0"	15 1/8	12 15/16	20 11/16	4 3/4	1 3/4	9	54	10 3/4	12 @ 465#		
	AL250-10-103	Alum	20'	2 11/16	7 3/16	8'-0"	17 1/4	19 15/16	-	10 11/16	8	-	53	13 1/4	12 @ 446#		
GLCSL250-10 (S or AL)-103	Steel	25'	1 1/2	5 1/16	8'-0"	15 1/8	14 15/16	22 11/16	4 3/4	1 3/4	11	54	10 3/4	10 @ 578#			

*This column provides the total number of support hangers with the corresponding vertical load applied by each support hanger (in pounds) based on the "L1" dimensions shown. Up to a 20" hanger drop will be provided by Gorbel. Additional hanger points or longer drops can be provided at an additional charge.

Gorbel® Ceiling Mounted Work Station Bridge Crane Kits include: bridge, runways, hoist trolley, end trucks, end stops, flat wire festooning, festoon gliders (festoon trolleys on steel runway lengths greater than 63' and all aluminum systems), festoon stack-up section, splice joints and hanger brackets. Sway bracing is required on all systems except flush mounted systems (by others). Sway bracing kits are available but not included in the crane kit. Hoist provided by others.

Dimensions are for reference only and are subject to change without notice.

250# CAPACITY

CEILING MOUNTED WORK STATION BRIDGE CRANES

BRIDGE LENGTH (L)	RUNWAY LENGTH	MODEL NUMBER	TRACK MATL.	BRIDGE								RUNWAY				
				MAX L1	T1 in	L3 in	L4 ft	L6 in	H3 in	H3A in	H4 in	H2 in	H1 in	L7 in	L8 in	HANGERS (See Note)*
15'	23'	GLC250-15 (S or AL)-23	Steel	6'	1 1/2	5 1/16	13'-0"	10 3/4	5 11/16	13 7/16	10 1/2	1 3/4	-	9	10 3/4	10 @ 398#
		GLCS250-15 (S or AL)-23	Steel	20'	1 1/2	5 1/16	13'-0"	10 3/4	12 15/16	20 11/16	10 1/2	1 3/4	9	9	10 3/4	4 @ 481#
		AL250-15-23	Alum	20'	2 11/16	7 3/16	13'-0"	23 15/16	19 15/16	-	10 11/16	8	-	14	13 1/4	4 @ 456#
	28'	GLCSL250-15 (S or AL)-28	Steel	25'	1 1/2	5 1/16	13'-0"	10 3/4	14 15/16	22 11/16	10 1/2	1 3/4	11	9	10 3/4	4 @ 593#
		GLC250-15 (S or AL)-33	Steel	6'	1 1/2	5 1/16	13'-0"	10 3/4	5 11/16	13 7/16	10 1/2	1 3/4	-	9	10 3/4	14 @ 398#
		GLCS250-15 (S or AL)-33	Steel	20'	1 1/2	5 1/16	13'-0"	10 3/4	12 15/16	20 11/16	10 1/2	1 3/4	9	9	10 3/4	6 @ 481#
	33'	AL250-15-33	Alum	20'	2 11/16	7 3/16	13'-0"	23 15/16	19 15/16	-	10 11/16	8	-	20	13 1/4	6 @ 456#
		GLC250-15 (S or AL)-43	Steel	6'	1 1/2	5 1/16	13'-0"	10 3/4	5 11/16	13 7/16	10 1/2	1 3/4	-	13	10 3/4	18 @ 396#
		GLCS250-15 (S or AL)-43	Steel	20'	1 1/2	5 1/16	13'-0"	10 3/4	12 15/16	20 11/16	10 1/2	1 3/4	9	13	10 3/4	6 @ 481#
	43'	AL250-15-43	Alum	20'	2 11/16	7 3/16	13'-0"	23 15/16	19 15/16	-	10 11/16	8	-	27	13 1/4	6 @ 456#
		GLC250-15 (S or AL)-53	Steel	6'	1 1/2	5 1/16	13'-0"	10 3/4	5 11/16	13 7/16	10 1/2	1 3/4	-	13	10 3/4	22 @ 398#
		GLCS250-15 (S or AL)-53	Steel	20'	1 1/2	5 1/16	13'-0"	10 3/4	12 15/16	20 11/16	10 1/2	1 3/4	9	13	10 3/4	8 @ 481#
	53'	AL250-15-53	Alum	20'	2 11/16	7 3/16	13'-0"	23 15/16	19 15/16	-	10 11/16	8	-	30	13 1/4	8 @ 456#
		GLCSL250-15 (S or AL)-53	Steel	25'	1 1/2	5 1/16	13'-0"	10 3/4	14 15/16	22 11/16	10 1/2	1 3/4	11	13	10 3/4	6 @ 593#
		GLC250-15 (S or AL)-63	Steel	6'	1 1/2	5 1/16	13'-0"	10 3/4	5 11/16	13 7/16	10 1/2	1 3/4	-	19	10 3/4	26 @ 398#
	63'	GLCS250-15 (S or AL)-63	Steel	20'	1 1/2	5 1/16	13'-0"	10 3/4	12 15/16	20 11/16	10 1/2	1 3/4	9	19	10 3/4	8 @ 481#
		AL250-15-63	Alum	20'	2 11/16	7 3/16	13'-0"	23 15/16	19 15/16	-	10 11/16	8	-	37	13 1/4	8 @ 456#
		GLCSL250-15 (S or AL)-78	Steel	25'	1 1/2	5 1/16	13'-0"	21 13/16	14 15/16	22 11/16	10 1/2	1 3/4	11	54	10 3/4	8 @ 593#
	83'	GLC250-15 (S or AL)-83	Steel	6'	1 1/2	5 1/16	13'-0"	21 13/16	5 11/16	13 7/16	10 1/2	1 3/4	-	54	10 3/4	34 @ 398#
		GLCS250-15 (S or AL)-83	Steel	20'	1 1/2	5 1/16	13'-0"	21 13/16	12 15/16	20 11/16	10 1/2	1 3/4	9	54	10 3/4	10 @ 481#
		AL250-15-83	Alum	20'	2 11/16	7 3/16	13'-0"	23 15/16	19 15/16	-	10 11/16	8	-	47	13 1/4	10 @ 456#
	103'	GLC250-15 (S or AL)-103	Steel	6'	1 1/2	5 1/16	13'-0"	21 13/16	5 11/16	13 7/16	10 1/2	1 3/4	-	54	10 3/4	42 @ 398#
		GLCS250-15 (S or AL)-103	Steel	20'	1 1/2	5 1/16	13'-0"	21 13/16	12 15/16	20 11/16	10 1/2	1 3/4	9	54	10 3/4	12 @ 481#
		AL250-15-103	Alum	20'	2 11/16	7 3/16	13'-0"	23 15/16	19 15/16	-	10 11/16	8	-	53	13 1/4	12 @ 456#
20'	23'	GLC250-20 (S or AL)-23	Steel	6'	1 1/2	5 1/16	18'-0"	12	5 11/16	13 7/16	10 1/2	1 3/4	-	9	10 3/4	10 @ 410#
		GLCS250-20 (S or AL)-23	Steel	20'	1 1/2	5 1/16	18'-0"	12	12 15/16	20 11/16	10 1/2	1 3/4	9	9	10 3/4	4 @ 493#
		AL250-20-23	Alum	20'	2 11/16	7 3/16	18'-0"	27 5/16	19 15/16	-	10 11/16	8	-	14	13 1/4	4 @ 466#
	28'	GLCSL250-20 (S or AL)-28	Steel	25'	1 1/2	5 1/16	18'-0"	12	14 15/16	22 11/16	10 1/2	1 3/4	11	9	10 3/4	4 @ 606#
		GLC250-20 (S or AL)-33	Steel	6'	1 1/2	5 1/16	18'-0"	12	5 11/16	13 7/16	10 1/2	1 3/4	-	9	10 3/4	14 @ 410#
		GLCS250-20 (S or AL)-33	Steel	20'	1 1/2	5 1/16	18'-0"	12	12 15/16	20 11/16	10 1/2	1 3/4	9	9	10 3/4	6 @ 493#
	33'	AL250-20-33	Alum	20'	2 11/16	7 3/16	18'-0"	27 5/16	19 15/16	-	10 11/16	8	-	20	13 1/4	6 @ 466#
		GLC250-20 (S or AL)-43	Steel	6'	1 1/2	5 1/16	18'-0"	12	5 11/16	13 7/16	10 1/2	1 3/4	-	13	10 3/4	18 @ 410#
		GLCS250-20 (S or AL)-43	Steel	20'	1 1/2	5 1/16	18'-0"	12	12 15/16	20 11/16	10 1/2	1 3/4	9	13	10 3/4	6 @ 493#
	43'	AL250-20-43	Alum	20'	2 11/16	7 3/16	18'-0"	27 5/16	19 15/16	-	10 11/16	8	-	27	13 1/4	6 @ 466#
		GLC250-20 (S or AL)-53	Steel	6'	1 1/2	5 1/16	18'-0"	12	5 11/16	13 7/16	10 1/2	1 3/4	-	13	10 3/4	22 @ 410#
		GLCS250-20 (S or AL)-53	Steel	20'	1 1/2	5 1/16	18'-0"	12	12 15/16	20 11/16	10 1/2	1 3/4	9	13	10 3/4	8 @ 493#
	53'	AL250-20-53	Alum	20'	2 11/16	7 3/16	18'-0"	27 5/16	19 15/16	-	10 11/16	8	-	30	13 1/4	8 @ 466#
		GLCSL250-20 (S or AL)-53	Steel	25'	1 1/2	5 1/16	18'-0"	12	14 15/16	22 11/16	10 1/2	1 3/4	11	13	10 3/4	6 @ 606#
		GLC250-20 (S or AL)-63	Steel	6'	1 1/2	5 1/16	18'-0"	12	5 11/16	13 7/16	10 1/2	1 3/4	-	19	10 3/4	26 @ 410#
	63'	GLCS250-20 (S or AL)-63	Steel	20'	1 1/2	5 1/16	18'-0"	12	12 15/16	20 11/16	10 1/2	1 3/4	9	19	10 3/4	8 @ 493#
		AL250-20-63	Alum	20'	2 11/16	7 3/16	18'-0"	27 5/16	19 15/16	-	10 11/16	8	-	37	13 1/4	8 @ 466#
		GLCSL250-20 (S or AL)-78	Steel	25'	1 1/2	5 1/16	18'-0"	25 3/16	14 15/16	22 11/16	10 1/2	1 3/4	11	54	10 3/4	8 @ 606#
	83'	GLC250-20 (S or AL)-83	Steel	6'	1 1/2	5 1/16	18'-0"	25 3/16	5 11/16	13 7/16	10 1/2	1 3/4	-	54	10 3/4	34 @ 410#
		GLCS250-20 (S or AL)-83	Steel	20'	1 1/2	5 1/16	18'-0"	25 3/16	12 15/16	20 11/16	10 1/2	1 3/4	9	54	10 3/4	10 @ 493#
		AL250-20-83	Alum	20'	2 11/16	7 3/16	18'-0"	27 5/16	19 15/16	-	10 11/16	8	-	47	13 1/4	10 @ 466#
	103'	GLC250-20 (S or AL)-103	Steel	6'	1 1/2	5 1/16	18'-0"	25 3/16	5 11/16	13 7/16	10 1/2	1 3/4	-	54	10 3/4	42 @ 410#
		GLCS250-20 (S or AL)-103	Steel	20'	1 1/2	5 1/16	18'-0"	25 3/16	12 15/16	20 11/16	10 1/2	1 3/4	9	54	10 3/4	12 @ 493#
		AL250-20-103	Alum	20'	2 11/16	7 3/16	18'-0"	27 5/16	19 15/16	-	10 11/16	8	-	53	13 1/4	12 @ 466#
103'	GLCSL250-20 (S or AL)-103	Steel	25'	1 1/2	5 1/16	18'-0"	25 3/16	14 15/16	22 11/16	10 1/2	1 3/4	11	54	10 3/4	10 @ 606#	

*This column provides the total number of support hangers with the corresponding vertical load applied by each support hanger (in pounds) based on the "L1" dimensions shown. Up to a 20" hanger drop will be provided by Gorbel. Additional hanger points or longer drops can be provided at an additional charge.

Gorbel® Ceiling Mounted Work Station Bridge Crane Kits include: bridge, runways, hoist trolley, end trucks, end stops, flat wire festooning, festoon gliders (festoon trolleys on steel runway lengths greater than 63' and all aluminum systems), festoon stack-up section, splice joints and hanger brackets. Sway bracing is required on all systems except flush mounted systems (by others). Sway bracing kits are available but not included in the crane kit. Hoist provided by others.

Dimensions are for reference only and are subject to change without notice.

CEILING MOUNTED WORK STATION BRIDGE CRANES

BRIDGE LENGTH (L)	RUNWAY LENGTH	MODEL NUMBER	TRACK MATL.	BRIDGE								RUNWAY				
				MAX L1	T1 in	L3 in	L4 ft	L6 in	H3 in	H3A in	H4 in	H2 in	H1 in	L7 in	L8 in	HANGERS (See Note)*
23'	23'	GLC250-23 (S or AL)-23	Steel	6'	1 1/2	5 1/16	21'-0"	13 1/4	5 11/16	18 1/16	10 1/2	1 3/4	-	9	10 3/4	10 @ 417#
		GLCS250-23 (S or AL)-23	Steel	20'	1 1/2	5 1/16	21'-0"	13 1/4	12 15/16	25 5/16	10 1/2	1 3/4	9	9	10 3/4	4 @ 500#
		AL250-23-23	Alum	20'	2 11/16	7 3/16	20'-0"	30 5/8	19 15/16	-	10 11/16	8	-	14	13 1/4	4 @ 470#
	28'	GLCSL250-23 (S or AL)-28	Steel	25'	1 1/2	5 1/16	21'-0"	13 1/4	14 15/16	27 5/16	10 1/2	1 3/4	11	9	10 3/4	4 @ 613#
		GLC250-23 (S or AL)-33	Steel	6'	1 1/2	5 1/16	21'-0"	13 1/4	5 11/16	18 1/16	10 1/2	1 3/4	-	9	10 3/4	14 @ 417#
		GLCS250-23 (S or AL)-33	Steel	20'	1 1/2	5 1/16	21'-0"	13 1/4	12 15/16	25 5/16	10 1/2	1 3/4	9	9	10 3/4	6 @ 500#
	33'	AL250-23-33	Alum	20'	2 11/16	7 3/16	20'-0"	30 5/8	19 15/16	-	10 11/16	8	-	20	13 1/4	6 @ 470#
		GLC250-23 (S or AL)-43	Steel	6'	1 1/2	5 1/16	21'-0"	13 1/4	5 11/16	18 1/16	10 1/2	1 3/4	-	13	10 3/4	18 @ 417#
		GLCS250-23 (S or AL)-43	Steel	20'	1 1/2	5 1/16	21'-0"	13 1/4	12 15/16	25 5/16	10 1/2	1 3/4	9	13	10 3/4	6 @ 500#
	43'	AL250-23-43	Alum	20'	2 11/16	7 3/16	20'-0"	30 5/8	19 15/16	-	10 11/16	8	-	27	13 1/4	6 @ 470#
		GLC250-23 (S or AL)-53	Steel	6'	1 1/2	5 1/16	21'-0"	13 1/4	5 11/16	18 1/16	10 1/2	1 3/4	-	13	10 3/4	22 @ 417#
		GLCS250-23 (S or AL)-53	Steel	20'	1 1/2	5 1/16	21'-0"	13 1/4	12 15/16	25 5/16	10 1/2	1 3/4	9	13	10 3/4	8 @ 500#
	53'	AL250-23-53	Alum	20'	2 11/16	7 3/16	20'-0"	30 5/8	19 15/16	-	10 11/16	8	-	30	13 1/4	8 @ 470#
		GLCSL250-23 (S or AL)-53	Steel	25'	1 1/2	5 1/16	21'-0"	13 1/4	14 15/16	27 5/16	10 1/2	1 3/4	11	13	10 3/4	6 @ 613#
		GLC250-23 (S or AL)-63	Steel	6'	1 1/2	5 1/16	21'-0"	13 1/4	5 11/16	18 1/16	10 1/2	1 3/4	-	19	10 3/4	26 @ 417#
	63'	GLCS250-23 (S or AL)-63	Steel	20'	1 1/2	5 1/16	21'-0"	13 1/4	12 15/16	25 5/16	10 1/2	1 3/4	9	19	10 3/4	8 @ 500#
AL250-23-63		Alum	20'	2 11/16	7 3/16	20'-0"	30 5/8	19 15/16	-	10 11/16	8	-	37	13 1/4	8 @ 470#	
GLCSL250-23 (S or AL)-78		Steel	25'	1 1/2	5 1/16	21'-0"	28 1/2	14 15/16	27 5/16	10 1/2	1 3/4	11	54	10 3/4	8 @ 613#	
83'	GLC250-23 (S or AL)-83	Steel	6'	1 1/2	5 1/16	21'-0"	28 1/2	5 11/16	18 1/16	10 1/2	1 3/4	-	54	10 3/4	34 @ 417#	
	GLCS250-23 (S or AL)-83	Steel	20'	1 1/2	5 1/16	21'-0"	28 1/2	12 15/16	25 5/16	10 1/2	1 3/4	9	54	10 3/4	10 @ 500#	
	AL250-23-83	Alum	20'	2 11/16	7 3/16	20'-0"	30 5/8	19 15/16	-	10 11/16	8	-	47	13 1/4	10 @ 470#	
103'	GLC250-23 (S or AL)-103	Steel	6'	1 1/2	5 1/16	21'-0"	28 1/2	5 11/16	18 1/16	10 1/2	1 3/4	-	54	10 3/4	42 @ 417#	
	GLCS250-23 (S or AL)-103	Steel	20'	1 1/2	5 1/16	21'-0"	28 1/2	12 15/16	25 5/16	10 1/2	1 3/4	9	54	10 3/4	12 @ 500#	
	AL250-23-103	Alum	20'	2 11/16	7 3/16	20'-0"	30 5/8	19 15/16	-	10 11/16	8	-	53	13 1/4	12 @ 470#	
23'	GLCSL250-23 (S or AL)-103	Steel	25'	1 1/2	5 1/16	21'-0"	28 1/2	14 15/16	27 5/16	10 1/2	1 3/4	11	54	10 3/4	10 @ 613#	
	GLC250-28 (S or AL)-23	Steel	6'	1 1/2	5 1/16	25'-0"	15 3/4	8 1/16	18 1/16	12 1/2	1 3/4	-	9	21 3/4	4 @ 554#	
	GLCS250-28 (S or AL)-23	Steel	20'	1 1/2	5 1/16	25'-0"	15 3/4	15 5/16	25 5/16	12 1/2	1 3/4	9	9	21 3/4	10 @ 471#	
28'	AL250-28-23	Alum	20'	2 11/16	7 3/16	25'-0"	37 3/8	24 3/8	-	12 11/16	10	-	14	23 3/8	4 @ 489#	
	GLCSL250-28 (S or AL)-28	Steel	25'	1 1/2	5 1/16	25'-0"	15 3/4	17 5/16	27 5/16	12 1/2	1 3/4	11	9	21 3/4	4 @ 667#	
	GLC250-28 (S or AL)-33	Steel	6'	1 1/2	5 1/16	25'-0"	15 3/4	8 1/16	18 1/16	12 1/2	1 3/4	-	9	21 3/4	14 @ 471#	
33'	GLCS250-28 (S or AL)-33	Steel	20'	1 1/2	5 1/16	25'-0"	15 3/4	15 5/16	25 5/16	12 1/2	1 3/4	9	9	21 3/4	6 @ 554#	
	AL250-28-33	Alum	20'	2 11/16	7 3/16	25'-0"	37 3/8	24 3/8	-	12 11/16	10	-	20	23 3/8	6 @ 489#	
	GLC250-28 (S or AL)-43	Steel	6'	1 1/2	5 1/16	25'-0"	15 3/4	8 1/16	18 1/16	12 1/2	1 3/4	-	13	21 3/4	18 @ 471#	
43'	GLCS250-28 (S or AL)-43	Steel	20'	1 1/2	5 1/16	25'-0"	15 3/4	15 5/16	25 5/16	12 1/2	1 3/4	9	13	21 3/4	6 @ 554#	
	AL250-28-43	Alum	20'	2 11/16	7 3/16	25'-0"	37 3/8	24 3/8	-	12 11/16	10	-	27	23 3/8	6 @ 489#	
	GLCSL250-28 (S or AL)-53	Steel	25'	1 1/2	5 1/16	25'-0"	15 3/4	17 5/16	27 5/16	12 1/2	1 3/4	11	13	21 3/4	6 @ 667#	
53'	GLC250-28 (S or AL)-53	Steel	6'	1 1/2	5 1/16	25'-0"	15 3/4	8 1/16	18 1/16	12 1/2	1 3/4	-	13	21 3/4	22 @ 471#	
	GLCS250-28 (S or AL)-53	Steel	20'	1 1/2	5 1/16	25'-0"	15 3/4	15 5/16	25 5/16	12 1/2	1 3/4	9	13	21 3/4	8 @ 554#	
	AL250-28-53	Alum	20'	2 11/16	7 3/16	25'-0"	37 3/8	24 3/8	-	12 11/16	10	-	30	23 3/8	8 @ 489#	
63'	GLCSL250-28 (S or AL)-53	Steel	25'	1 1/2	5 1/16	25'-0"	15 3/4	17 5/16	27 5/16	12 1/2	1 3/4	11	13	21 3/4	6 @ 667#	
	GLC250-28 (S or AL)-63	Steel	6'	1 1/2	5 1/16	25'-0"	15 3/4	8 1/16	18 1/16	12 1/2	1 3/4	-	19	21 3/4	26 @ 471#	
	GLCS250-28 (S or AL)-63	Steel	20'	1 1/2	5 1/16	25'-0"	15 3/4	15 5/16	25 5/16	12 1/2	1 3/4	9	19	21 3/4	8 @ 554#	
78'	AL250-28-63	Alum	20'	2 11/16	7 3/16	25'-0"	37 3/8	24 3/8	-	12 11/16	10	-	37	23 3/8	8 @ 489#	
	GLCSL250-28 (S or AL)-78	Steel	25'	1 1/2	5 1/16	25'-0"	35 3/16	17 5/16	27 5/16	12 1/2	1 3/4	11	54	21 3/4	8 @ 667#	
	GLC250-28 (S or AL)-83	Steel	6'	1 1/2	5 1/16	25'-0"	35 3/16	8 1/16	18 1/16	12 1/2	1 3/4	-	54	21 3/4	34 @ 471#	
83'	GLCS250-28 (S or AL)-83	Steel	20'	1 1/2	5 1/16	25'-0"	35 3/16	15 5/16	25 5/16	12 1/2	1 3/4	9	54	21 3/4	10 @ 554#	
	AL250-28-83	Alum	20'	2 11/16	7 3/16	25'-0"	37 3/8	24 3/8	-	12 11/16	10	-	47	23 3/8	10 @ 489#	
	GLC250-28 (S or AL)-103	Steel	6'	1 1/2	5 1/16	25'-0"	35 3/16	8 1/16	18 1/16	12 1/2	1 3/4	-	54	21 3/4	42 @ 471#	
103'	GLCS250-28 (S or AL)-103	Steel	20'	1 1/2	5 1/16	25'-0"	35 3/16	15 5/16	25 5/16	12 1/2	1 3/4	9	54	21 3/4	12 @ 554#	
	AL250-28-103	Alum	20'	2 11/16	7 3/16	25'-0"	37 3/8	24 3/8	-	12 11/16	10	-	53	23 3/8	12 @ 489#	
	GLCSL250-28 (S or AL)-103	Steel	25'	1 1/2	5 1/16	25'-0"	35 3/16	17 5/16	27 5/16	12 1/2	1 3/4	11	54	21 3/4	10 @ 667#	

CEILING MOUNTED WORK STATION BRIDGE CRANES

*This column provides the total number of support hangers with the corresponding vertical load applied by each support hanger (in pounds) based on the "L1" dimensions shown. Up to a 20" hanger drop will be provided by Gorbel. Additional hanger points or longer drops can be provided at an additional charge.

Gorbel® Ceiling Mounted Work Station Bridge Crane Kits include: bridge, runways, hoist trolley, end trucks, end stops, flat wire festooning, festoon gliders (festoon trolleys on steel runway lengths greater than 63' and all aluminum systems), festoon stack-up section, splice joints and hanger brackets. Sway bracing is required on all systems except flush mounted systems (by others). Sway bracing kits are available but not included in the crane kit. Hoist provided by others.

Dimensions are for reference only and are subject to change without notice.

500# CAPACITY

CEILING MOUNTED WORK STATION BRIDGE CRANES

BRIDGE LENGTH (L)	RUNWAY LENGTH	MODEL NUMBER	TRACK MATL.	BRIDGE									RUNWAY			
				MAX L1	T1 in	L3 in	L4 ft	L6 in	H3 in	H3A in	H4 in	H2 in	H1 in	L7 in	L8 in	HANGERS (See Note)*
8'	11'-6"	GLC500-8 (S or AL)-11.5	Steel	6'	2 13/16	7 1/8	6'-6"	8 11/16	8 7/8	16 3/8	6 11/16	2 3/8	-	9	13 3/16	6 @ 743#
		GLCS500-8 (S or AL)-11.5	Steel	20'	2 13/16	7 1/8	6'-6"	8 11/16	16 1/2	24	6 11/16	2 3/8	10	9	13 3/16	4 @ 867#
		AL500-8-11.5	Alum	20'	2 11/16	7 3/16	6'-6"	13 7/8	23 7/8	-	12 11/16	10	-	9	13 1/4	4 @ 810#
	23'	GLC500-8 (S or AL)-23	Steel	6'	2 13/16	7 1/8	6'-6"	8 11/16	8 7/8	16 3/8	6 11/16	2 3/8	-	9	13 3/16	10 @ 743#
		GLCS500-8 (S or AL)-23	Steel	20'	2 13/16	7 1/8	6'-6"	8 11/16	16 1/2	24	6 11/16	2 3/8	10	9	13 3/16	4 @ 867#
		AL500-8-23	Alum	20'	2 11/16	7 3/16	6'-6"	13 7/8	23 7/8	-	12 11/16	10	-	14	13 1/4	4 @ 810#
	28'	GLCSL500-8 (S or AL)-28	Steel	25'	2 13/16	7 1/8	6'-6"	8 11/16	18 7/8	26 3/8	6 11/16	2 3/8	12 3/8	9	13 3/16	4 @ 986#
		GLC500-8 (S or AL)-33	Steel	6'	2 13/16	7 1/8	6'-6"	8 11/16	8 7/8	16 3/8	6 11/16	2 3/8	-	9	13 3/16	14 @ 743#
	33'	GLCS500-8 (S or AL)-33	Steel	20'	2 13/16	7 1/8	6'-6"	8 11/16	16 1/2	24	6 11/16	2 3/8	10	9	13 3/16	6 @ 867#
		AL500-8-33	Alum	20'	2 11/16	7 3/16	6'-6"	13 7/8	23 7/8	-	12 11/16	10	-	20	13 1/4	6 @ 810#
	34'	GLCSLX500-8 (S or AL)-34	Steel	30'	2 13/16	7 1/8	6'-6"	8 11/16	20 7/8	28 3/8	6 11/16	2 3/8	14 3/8	9	13 3/16	4 @ 1,049#
		GLC500-8 (S or AL)-43	Steel	6'	2 13/16	7 1/8	6'-6"	8 11/16	8 7/8	16 3/8	6 11/16	2 3/8	-	13	13 3/16	18 @ 743#
	43'	GLCS500-8 (S or AL)-43	Steel	20'	2 13/16	7 1/8	6'-6"	8 11/16	16 1/2	24	6 11/16	2 3/8	10	13	13 3/16	6 @ 867#
		AL500-8-43	Alum	20'	2 11/16	7 3/16	6'-6"	13 7/8	23 7/8	-	12 11/16	10	-	27	13 1/4	6 @ 810#
		GLC500-8 (S or AL)-53	Steel	6'	2 13/16	7 1/8	6'-6"	8 11/16	8 7/8	16 3/8	6 11/16	2 3/8	-	13	13 3/16	22 @ 743#
	53'	GLCS500-8 (S or AL)-53	Steel	20'	2 13/16	7 1/8	6'-6"	8 11/16	16 1/2	24	6 11/16	2 3/8	10	13	13 3/16	8 @ 867#
AL500-8-53		Alum	20'	2 11/16	7 3/16	6'-6"	13 7/8	23 7/8	-	12 11/16	10	-	30	13 1/4	8 @ 810#	
GLCSL500-8 (S or AL)-53		Steel	25'	2 13/16	7 1/8	6'-6"	8 11/16	18 7/8	26 3/8	6 11/16	2 3/8	12 3/8	13	13 3/16	6 @ 986#	
63'	GLC500-8 (S or AL)-63	Steel	6'	2 13/16	7 1/8	6'-6"	8 11/16	8 7/8	16 3/8	6 11/16	2 3/8	-	19	13 3/16	26 @ 743#	
	GLCS500-8 (S or AL)-63	Steel	20'	2 13/16	7 1/8	6'-6"	8 11/16	16 1/2	24	6 11/16	2 3/8	10	19	13 3/16	8 @ 867#	
	AL500-8-63	Alum	20'	2 11/16	7 3/16	6'-6"	13 7/8	23 7/8	-	12 11/16	10	-	37	13 1/4	8 @ 810#	
64'	GLCSLX500-8 (S or AL)-64	Steel	30'	2 13/16	7 1/8	6'-6"	13 13/16	20 7/8	28 3/8	6 11/16	2 3/8	14 3/8	46	13 3/16	6 @ 1,049#	
	GLCSL500-8 (S or AL)-78	Steel	25'	2 13/16	7 1/8	6'-6"	13 13/16	18 7/8	26 3/8	6 11/16	2 3/8	12 3/8	54	13 3/16	8 @ 986#	
83'	GLC500-8 (S or AL)-83	Steel	6'	2 13/16	7 1/8	6'-6"	13 13/16	8 7/8	16 3/8	6 11/16	2 3/8	-	54	13 3/16	34 @ 743#	
	GLCS500-8 (S or AL)-83	Steel	20'	2 13/16	7 1/8	6'-6"	13 13/16	16 1/2	24	6 11/16	2 3/8	10	54	13 3/16	10 @ 867#	
	AL500-8-83	Alum	20'	2 11/16	7 3/16	6'-6"	13 7/8	23 7/8	-	12 11/16	10	-	47	13 1/4	10 @ 810#	
94'	GLCSLX500-8 (S or AL)-94	Steel	30'	2 13/16	7 1/8	6'-6"	13 13/16	20 7/8	28 3/8	6 11/16	2 3/8	14 3/8	54	13 3/16	8 @ 1,049#	
	GLC500-8 (S or AL)-103	Steel	6'	2 13/16	7 1/8	6'-6"	13 13/16	8 7/8	16 3/8	6 11/16	2 3/8	-	54	13 3/16	42 @ 743#	
103'	GLCS500-8 (S or AL)-103	Steel	20'	2 13/16	7 1/8	6'-6"	13 13/16	16 1/2	24	6 11/16	2 3/8	10	54	13 3/16	12 @ 867#	
	AL500-8-103	Alum	20'	2 11/16	7 3/16	6'-6"	13 7/8	23 7/8	-	12 11/16	10	-	53	13 1/4	12 @ 810#	
	GLCSL500-8 (S or AL)-103	Steel	25'	2 13/16	7 1/8	6'-6"	13 13/16	18 7/8	26 3/8	6 11/16	2 3/8	12 3/8	54	13 3/16	10 @ 986#	
124'	GLCSLX500-8 (S or AL)-124	Steel	30'	2 13/16	7 1/8	6'-6"	13 13/16	20 7/8	28 3/8	6 11/16	2 3/8	14 3/8	54	13 3/16	10 @ 1,049#	
	GLC500-10 (S or AL)-11.5	Steel	6'	2 13/16	7 1/8	8'-0"	9 15/16	8 7/8	16 3/8	6 11/16	2 3/8	-	9	13 3/16	6 @ 747#	
10'	11'-6"	GLCS500-10 (S or AL)-11.5	Steel	20'	2 13/16	7 1/8	8'-0"	9 15/16	16 1/2	24	6 11/16	2 3/8	10	9	13 3/16	4 @ 871#
		AL500-10-11.5	Alum	20'	2 11/16	7 3/16	8'-0"	17 1/4	23 7/8	-	12 11/16	10	-	9	13 1/4	4 @ 813#
		GLC500-10 (S or AL)-23	Steel	6'	2 13/16	7 1/8	8'-0"	9 15/16	8 7/8	16 3/8	6 11/16	2 3/8	-	9	13 3/16	10 @ 747#
	23'	GLCS500-10 (S or AL)-23	Steel	20'	2 13/16	7 1/8	8'-0"	9 15/16	16 1/2	24	6 11/16	2 3/8	10	9	13 3/16	4 @ 871#
		AL500-10-23	Alum	20'	2 11/16	7 3/16	8'-0"	17 1/4	23 7/8	-	12 11/16	10	-	14	13 1/4	4 @ 813#
		GLCSL500-10 (S or AL)-28	Steel	25'	2 13/16	7 1/8	8'-0"	9 15/16	18 7/8	26 3/8	6 11/16	2 3/8	12 3/8	9	13 3/16	4 @ 990#
	33'	GLC500-10 (S or AL)-33	Steel	6'	2 13/16	7 1/8	8'-0"	9 15/16	8 7/8	16 3/8	6 11/16	2 3/8	-	9	13 3/16	14 @ 747#
		GLCS500-10 (S or AL)-33	Steel	20'	2 13/16	7 1/8	8'-0"	9 15/16	16 1/2	24	6 11/16	2 3/8	10	9	13 3/16	6 @ 871#
		AL500-10-33	Alum	20'	2 11/16	7 3/16	8'-0"	17 1/4	23 7/8	-	12 11/16	10	-	20	13 1/4	6 @ 813#
	34'	GLCSLX500-10 (S or AL)-34	Steel	30'	2 13/16	7 1/8	8'-0"	9 15/16	20 7/8	28 3/8	6 11/16	2 3/8	14 3/8	9	13 3/16	4 @ 1,053#
		GLC500-10 (S or AL)-43	Steel	6'	2 13/16	7 1/8	8'-0"	9 15/16	8 7/8	16 3/8	6 11/16	2 3/8	-	13	13 3/16	18 @ 747#
	43'	GLCS500-10 (S or AL)-43	Steel	20'	2 13/16	7 1/8	8'-0"	9 15/16	16 1/2	24	6 11/16	2 3/8	10	13	13 3/16	6 @ 871#
		AL500-10-43	Alum	20'	2 11/16	7 3/16	8'-0"	17 1/4	23 7/8	-	12 11/16	10	-	27	13 1/4	6 @ 813#
		GLC500-10 (S or AL)-53	Steel	6'	2 13/16	7 1/8	8'-0"	9 15/16	8 7/8	16 3/8	6 11/16	2 3/8	-	13	13 3/16	22 @ 747#
	53'	GLCS500-10 (S or AL)-53	Steel	20'	2 13/16	7 1/8	8'-0"	9 15/16	16 1/2	24	6 11/16	2 3/8	10	13	13 3/16	8 @ 871#
		AL500-10-53	Alum	20'	2 11/16	7 3/16	8'-0"	17 1/4	23 7/8	-	12 11/16	10	-	30	13 1/4	8 @ 813#
GLCSL500-10 (S or AL)-53		Steel	25'	2 13/16	7 1/8	8'-0"	9 15/16	18 7/8	26 3/8	6 11/16	2 3/8	12 3/8	13	13 3/16	6 @ 990#	
63'	GLC500-10 (S or AL)-63	Steel	6'	2 13/16	7 1/8	8'-0"	9 15/16	8 7/8	16 3/8	6 11/16	2 3/8	-	19	13 3/16	26 @ 747#	
	GLCS500-10 (S or AL)-63	Steel	20'	2 13/16	7 1/8	8'-0"	9 15/16	16 1/2	24	6 11/16	2 3/8	10	19	13 3/16	8 @ 871#	
	AL500-10-63	Alum	20'	2 11/16	7 3/16	8'-0"	17 1/4	23 7/8	-	12 11/16	10	-	37	13 1/4	8 @ 813#	
64'	GLCSLX500-10 (S or AL)-64	Steel	30'	2 13/16	7 1/8	8'-0"	17 3/16	20 7/8	28 3/8	6 11/16	2 3/8	14 3/8	46	13 3/16	6 @ 1,053#	
	GLCSL500-10 (S or AL)-78	Steel	25'	2 13/16	7 1/8	8'-0"	17 3/16	18 7/8	26 3/8	6 11/16	2 3/8	12 3/8	54	13 3/16	8 @ 990#	
83'	GLC500-10 (S or AL)-83	Steel	6'	2 13/16	7 1/8	8'-0"	17 3/16	8 7/8	16 3/8	6 11/16	2 3/8	-	54	13 3/16	34 @ 747#	
	GLCS500-10 (S or AL)-83	Steel	20'	2 13/16	7 1/8	8'-0"	17 3/16	16 1/2	24	6 11/16	2 3/8	10	54	13 3/16	10 @ 871#	
	AL500-10-83	Alum	20'	2 11/16	7 3/16	8'-0"	17 1/4	23 7/8	-	12 11/16	10	-	47	13 1/4	10 @ 813#	
94'	GLCSLX500-10 (S or AL)-94	Steel	30'	2 13/16	7 1/8	8'-0"	17 3/16	20 7/8	28 3/8	6 11/16	2 3/8	14 3/8	54	13 3/16	8 @ 1,053#	
	GLC500-10 (S or AL)-103	Steel	6'	2 13/16	7 1/8	8'-0"	17 3/16	8 7/8	16 3/8	6 11/16	2 3/8	-	54	13 3/16	42 @ 747#	
103'	GLCS500-10 (S or AL)-103	Steel	20'	2 13/16	7 1/8	8'-0"	17 3/16	16 1/2	24	6 11/16	2 3/8	10	54	13 3/16	12 @ 871#	
	AL500-10-103	Alum	20'	2 11/16	7 3/16	8'-0"	17 1/4	23 7/8	-	12 11/16	10	-	53	13 1/4	12 @ 813#	
	GLCSL500-10 (S or AL)-103	Steel	25'	2 13/16	7 1/8	8'-0"	17 3/16	18 7/8	26 3/8	6 11/16	2 3/8	12 3/8	54	13 3/16	10 @ 990#	
124'	GLCSLX500-10 (S or AL)-124	Steel	30'	2 13/16	7 1/8	8'-0"	17 3/16	20 7/8	28 3/8	6 11/16	2 3/8	14 3/8	54	13 3/16	10 @ 1,053#	

*This column provides the total number of support hangers with the corresponding vertical load applied by each support hanger (in pounds) based on the "L1" dimensions shown. Up to a 20' hanger drop will be provided by Gorbel. Additional hanger points or longer drops can be provided at an additional charge.

Gorbel® Ceiling Mounted Work Station Bridge Crane Kits include: bridge, runways, hoist trolley, end stops, flat wire festooning, festoon gliders (festoon trolleys on steel runway lengths greater than 63' and all aluminum systems), festoon stack-up section, splice joints and hanger brackets. Sway bracing is required on all systems except flush mounted systems (by others). Sway bracing kits are available but not included in the crane kit. Hoist provided by others.

Dimensions are for reference only and are subject to change without notice.

CEILING MOUNTED WORK STATION BRIDGE CRANES

BRIDGE LENGTH (L)	RUNWAY LENGTH	MODEL NUMBER	TRACK MATL.	BRIDGE								RUNWAY				
				MAX L1	T1 in	L3 in	L4 ft	L6 in	H3 in	H3A in	H4 in	H2 in	H1 in	L7 in	L8 in	HANGERS (See Note)*
15'	23'	GLC500-15 (S or AL)-23	Steel	6'	2 13/16	7 1/8	13'-0"	12 7/16	8 7/8	16 3/8	12 13/16	2 3/8	-	9	13 3/16	10 @ 774#
		GLCS500-15 (S or AL)-23	Steel	20'	2 13/16	7 1/8	13'-0"	12 7/16	16 1/2	24	12 13/16	2 3/8	10	9	13 3/16	4 @ 898#
		AL500-15-23	Alum	20'	2 11/16	7 3/16	13'-0"	23 15/16	23 7/8	-	12 11/16	10	-	14	13 1/4	4 @ 825#
	28'	GLCSL500-15 (S or AL)-28	Steel	25'	2 13/16	7 1/8	13'-0"	12 7/16	18 7/8	26 3/8	12 13/16	2 3/8	12 3/8	9	13 3/16	4 @ 1,017#
		GLC500-15 (S or AL)-33	Steel	6'	2 13/16	7 1/8	13'-0"	12 7/16	8 7/8	16 3/8	12 13/16	2 3/8	-	9	13 3/16	14 @ 774#
		GLCS500-15 (S or AL)-33	Steel	20'	2 13/16	7 1/8	13'-0"	12 7/16	16 1/2	24	12 13/16	2 3/8	10	9	13 3/16	6 @ 898#
	33'	AL500-15-33	Alum	20'	2 11/16	7 3/16	13'-0"	23 15/16	23 7/8	-	12 11/16	10	-	20	13 1/4	6 @ 825#
		GLCSLX500-15 (S or AL)-34	Steel	30'	2 13/16	7 1/8	13'-0"	12 7/16	20 7/8	28 3/8	12 13/16	2 3/8	14 3/8	9	13 3/16	4 @ 1,079#
		GLC500-15 (S or AL)-43	Steel	6'	2 13/16	7 1/8	13'-0"	12 7/16	8 7/8	16 3/8	12 13/16	2 3/8	-	13	13 3/16	18 @ 774#
	43'	GLCS500-15 (S or AL)-43	Steel	20'	2 13/16	7 1/8	13'-0"	12 7/16	16 1/2	24	12 13/16	2 3/8	10	13	13 3/16	6 @ 898#
		AL500-15-43	Alum	20'	2 11/16	7 3/16	13'-0"	23 15/16	23 7/8	-	12 11/16	10	-	27	13 1/4	6 @ 825#
		GLC500-15 (S or AL)-53	Steel	6'	2 13/16	7 1/8	13'-0"	12 7/16	8 7/8	16 3/8	12 13/16	2 3/8	-	13	13 3/16	22 @ 774#
	53'	GLCS500-15 (S or AL)-53	Steel	20'	2 13/16	7 1/8	13'-0"	12 7/16	16 1/2	24	12 13/16	2 3/8	10	13	13 3/16	8 @ 898#
		AL500-15-53	Alum	20'	2 11/16	7 3/16	13'-0"	23 15/16	23 7/8	-	12 11/16	10	-	30	13 1/4	8 @ 825#
		GLCSL500-15 (S or AL)-53	Steel	25'	2 13/16	7 1/8	13'-0"	12 7/16	18 7/8	26 3/8	12 13/16	2 3/8	12 3/8	13	13 3/16	6 @ 1,017#
63'	GLC500-15 (S or AL)-63	Steel	6'	2 13/16	7 1/8	13'-0"	12 7/16	8 7/8	16 3/8	12 13/16	2 3/8	-	19	13 3/16	26 @ 774#	
	GLCS500-15 (S or AL)-63	Steel	20'	2 13/16	7 1/8	13'-0"	12 7/16	16 1/2	24	12 13/16	2 3/8	10	19	13 3/16	8 @ 898#	
	AL500-15-63	Alum	20'	2 11/16	7 3/16	13'-0"	23 15/16	23 7/8	-	12 11/16	10	-	37	13 1/4	8 @ 825#	
64'	GLCSLX500-15 (S or AL)-64	Steel	30'	2 13/16	7 1/8	13'-0"	12 7/16	20 7/8	28 3/8	12 13/16	2 3/8	14 3/8	46	13 3/16	6 @ 1,079#	
78'	GLCSL500-15 (S or AL)-78	Steel	25'	2 13/16	7 1/8	13'-0"	12 7/16	18 7/8	26 3/8	12 13/16	2 3/8	12 3/8	54	13 3/16	8 @ 1,017#	
83'	GLC500-15 (S or AL)-83	Steel	6'	2 13/16	7 1/8	13'-0"	12 7/16	8 7/8	16 3/8	12 13/16	2 3/8	-	54	13 3/16	34 @ 774#	
	GLCS500-15 (S or AL)-83	Steel	20'	2 13/16	7 1/8	13'-0"	12 7/16	16 1/2	24	12 13/16	2 3/8	10	54	13 3/16	10 @ 898#	
	AL500-15-83	Alum	20'	2 11/16	7 3/16	13'-0"	23 15/16	23 7/8	-	12 11/16	10	-	47	13 1/4	10 @ 825#	
94'	GLCSLX-15 (S or AL)-94	Steel	30'	2 13/16	7 1/8	13'-0"	12 7/16	20 7/8	28 3/8	12 13/16	2 3/8	14 3/8	54	13 3/16	8 @ 1,079#	
103'	GLC500-15 (S or AL)-103	Steel	6'	2 13/16	7 1/8	13'-0"	12 7/16	8 7/8	16 3/8	12 13/16	2 3/8	-	54	13 3/16	42 @ 774#	
	GLCS500-15 (S or AL)-103	Steel	20'	2 13/16	7 1/8	13'-0"	12 7/16	16 1/2	24	12 13/16	2 3/8	10	54	13 3/16	12 @ 898#	
	AL500-15-103	Alum	20'	2 11/16	7 3/16	13'-0"	23 15/16	23 7/8	-	12 11/16	10	-	53	13 1/4	12 @ 825#	
	GLCSL500-15 (S or AL)-103	Steel	25'	2 13/16	7 1/8	13'-0"	12 7/16	18 7/8	26 3/8	12 13/16	2 3/8	12 3/8	54	13 3/16	10 @ 1,017#	
124'	GLCSLX500-15 (S or AL)-124	Steel	30'	2 13/16	7 1/8	13'-0"	12 7/16	20 7/8	28 3/8	12 13/16	2 3/8	14 3/8	54	13 3/16	10 @ 1,079#	
20'	23'	GLC500-20 (S or AL)-23	Steel	6'	2 13/16	7 1/8	18'-0"	13 11/16	8 7/8	16 3/8	12 13/16	2 3/8	-	9	13 3/16	10 @ 792#
		GLCS500-20 (S or AL)-23	Steel	20'	2 13/16	7 1/8	18'-0"	13 11/16	16 1/2	24	12 13/16	2 3/8	10	9	13 3/16	4 @ 916#
		AL500-20-23	Alum	20'	2 11/16	7 3/16	18'-0"	27 5/16	23 7/8	-	12 11/16	10	-	14	13 1/4	4 @ 837#
	28'	GLCSL500-20 (S or AL)-28	Steel	25'	2 13/16	7 1/8	18'-0"	13 11/16	18 7/8	26 3/8	12 13/16	2 3/8	12 3/8	9	13 3/16	4 @ 1,035#
		GLC500-20 (S or AL)-33	Steel	6'	2 13/16	7 1/8	18'-0"	13 11/16	8 7/8	16 3/8	12 13/16	2 3/8	-	9	13 3/16	14 @ 792#
		GLCS500-20 (S or AL)-33	Steel	20'	2 13/16	7 1/8	18'-0"	13 11/16	16 1/2	24	12 13/16	2 3/8	10	9	13 3/16	6 @ 916#
	33'	AL500-20-33	Alum	20'	2 11/16	7 3/16	18'-0"	27 5/16	23 7/8	-	12 11/16	10	-	20	13 1/4	6 @ 837#
		GLCSLX500-20 (S or AL)-34	Steel	30'	2 13/16	7 1/8	18'-0"	13 11/16	20 7/8	28 3/8	12 13/16	2 3/8	14 3/8	9	13 3/16	4 @ 1,098#
		GLC500-20 (S or AL)-43	Steel	6'	2 13/16	7 1/8	18'-0"	13 11/16	8 7/8	16 3/8	12 13/16	2 3/8	-	13	13 3/16	18 @ 792#
	43'	GLCS500-20 (S or AL)-43	Steel	20'	2 13/16	7 1/8	18'-0"	13 11/16	16 1/2	24	12 13/16	2 3/8	10	13	13 3/16	6 @ 916#
		AL500-20-43	Alum	20'	2 11/16	7 3/16	18'-0"	27 5/16	23 7/8	-	12 11/16	10	-	27	13 1/4	6 @ 837#
		GLC500-20 (S or AL)-53	Steel	6'	2 13/16	7 1/8	18'-0"	13 11/16	8 7/8	16 3/8	12 13/16	2 3/8	-	13	13 3/16	22 @ 792#
	53'	GLCS500-20 (S or AL)-53	Steel	20'	2 13/16	7 1/8	18'-0"	13 11/16	16 1/2	24	12 13/16	2 3/8	10	13	13 3/16	8 @ 916#
		AL500-20-53	Alum	20'	2 11/16	7 3/16	18'-0"	27 5/16	23 7/8	-	12 11/16	10	-	30	13 1/4	8 @ 837#
		GLCSL500-20 (S or AL)-53	Steel	25'	2 13/16	7 1/8	18'-0"	13 11/16	18 7/8	26 3/8	12 13/16	2 3/8	12 3/8	13	13 3/16	6 @ 1,035#
63'	GLC500-20 (S or AL)-63	Steel	6'	2 13/16	7 1/8	18'-0"	13 11/16	8 7/8	16 3/8	12 13/16	2 3/8	-	19	13 3/16	26 @ 792#	
	GLCS500-20 (S or AL)-63	Steel	20'	2 13/16	7 1/8	18'-0"	13 11/16	16 1/2	24	12 13/16	2 3/8	10	19	13 3/16	8 @ 916#	
	AL500-20-63	Alum	20'	2 11/16	7 3/16	18'-0"	27 5/16	23 7/8	-	12 11/16	10	-	37	13 1/4	8 @ 837#	
64'	GLCSLX500-20 (S or AL)-64	Steel	30'	2 13/16	7 1/8	18'-0"	13 11/16	20 7/8	28 3/8	12 13/16	2 3/8	14 3/8	46	13 3/16	6 @ 1,098#	
78'	GLCSL500-20 (S or AL)-78	Steel	25'	2 13/16	7 1/8	18'-0"	13 11/16	18 7/8	26 3/8	12 13/16	2 3/8	12 3/8	54	13 3/16	8 @ 1,035#	
83'	GLC500-20 (S or AL)-83	Steel	6'	2 13/16	7 1/8	18'-0"	13 11/16	8 7/8	16 3/8	12 13/16	2 3/8	-	54	13 3/16	34 @ 792#	
	GLCS500-20 (S or AL)-83	Steel	20'	2 13/16	7 1/8	18'-0"	13 11/16	16 1/2	24	12 13/16	2 3/8	10	54	13 3/16	10 @ 916#	
	AL500-20-83	Alum	20'	2 11/16	7 3/16	18'-0"	27 5/16	23 7/8	-	12 11/16	10	-	47	13 1/4	10 @ 837#	
94'	GLCSLX500-20 (S or AL)-94	Steel	30'	2 13/16	7 1/8	18'-0"	13 11/16	20 7/8	28 3/8	12 13/16	2 3/8	14 3/8	54	13 3/16	8 @ 1,098#	
103'	GLC500-20 (S or AL)-103	Steel	6'	2 13/16	7 1/8	18'-0"	13 11/16	8 7/8	16 3/8	12 13/16	2 3/8	-	54	13 3/16	42 @ 792#	
	GLCS500-20 (S or AL)-103	Steel	20'	2 13/16	7 1/8	18'-0"	13 11/16	16 1/2	24	12 13/16	2 3/8	10	54	13 3/16	12 @ 916#	
	AL500-20-103	Alum	20'	2 11/16	7 3/16	18'-0"	27 5/16	23 7/8	-	12 11/16	10	-	53	13 1/4	12 @ 837#	
	GLCSL500-20 (S or AL)-103	Steel	25'	2 13/16	7 1/8	18'-0"	13 11/16	18 7/8	26 3/8	12 13/16	2 3/8	12 3/8	54	13 3/16	10 @ 1,035#	
124'	GLCSLX500-20 (S or AL)-124	Steel	30'	2 13/16	7 1/8	18'-0"	13 11/16	20 7/8	28 3/8	12 13/16	2 3/8	14 3/8	54	13 3/16	10 @ 1,098#	

*This column provides the total number of support hangers with the corresponding vertical load applied by each support hanger (in pounds) based on the "L1" dimensions shown. Up to a 20" hanger drop will be provided by Gorbel. Additional hanger points or longer drops can be provided at an additional charge.

Gorbel® Ceiling Mounted Work Station Bridge Crane Kits include: bridge, runways, hoist trolley, end trucks, end stops, flat wire festooning, festoon gliders (festoon trolleys on steel runway lengths greater than 63' and all aluminum systems), festoon stack-up section, splice joints and hanger brackets. Sway bracing is required on all systems except flush mounted systems (by others). Sway bracing kits are available but not included in the crane kit. Hoist provided by others.

Dimensions are for reference only and are subject to change without notice.

500# CAPACITY

CEILING MOUNTED WORK STATION BRIDGE CRANES

BRIDGE LENGTH (L)	RUNWAY LENGTH	MODEL NUMBER	TRACK MATL.	BRIDGE								RUNWAY				
				MAX L1	T1 in	L3 in	L4 ft	L6 in	H3 in	H3A in	H4 in	H2 in	H1 in	L7 in	L8 in	HANGERS (See Note)*
23'	23'	GLC500-23 (S or AL)-23	Steel	6'	2 13/16	7 1/8	21'-0"	14 15/16	8 7/8	15 1/8	12 13/16	2 3/8	-	9	13 3/16	10 @ 803#
		GLCS500-23 (S or AL)-23	Steel	20'	2 13/16	7 1/8	21'-0"	14 15/16	16 1/2	22 3/4	12 13/16	2 3/8	10	9	13 3/16	4 @ 927#
		AL500-23-23	Alum	20'	2 11/16	7 3/16	21'-0"	30 5/8	23 7/8	-	12 11/16	10	-	14	13 1/4	4 @ 841#
	28'	GLCSL500-23 (S or AL)-28	Steel	25'	2 13/16	7 1/8	21'-0"	14 15/16	18 7/8	25 1/8	12 13/16	2 3/8	12 3/8	9	13 3/16	4 @ 1,046#
		GLC500-23 (S or AL)-33	Steel	6'	2 13/16	7 1/8	21'-0"	14 15/16	8 7/8	15 1/8	12 13/16	2 3/8	-	9	13 3/16	14 @ 803#
		GLCS500-23 (S or AL)-33	Steel	20'	2 13/16	7 1/8	21'-0"	14 15/16	16 1/2	22 3/4	12 13/16	2 3/8	10	9	13 3/16	6 @ 927#
	33'	AL500-23-33	Alum	20'	2 11/16	7 3/16	21'-0"	30 5/8	23 7/8	-	12 11/16	10	-	20	13 1/4	6 @ 841#
		GLCSLX500-23 (S or AL)-34	Steel	30'	2 13/16	7 1/8	21'-0"	14 15/16	20 7/8	27 1/8	12 13/16	2 3/8	14 3/8	9	13 3/16	4 @ 1,109#
		GLC500-23 (S or AL)-43	Steel	6'	2 13/16	7 1/8	21'-0"	14 15/16	8 7/8	15 1/8	12 13/16	2 3/8	-	13	13 3/16	18 @ 803#
	43'	GLCS500-23 (S or AL)-43	Steel	20'	2 13/16	7 1/8	21'-0"	14 15/16	16 1/2	22 3/4	12 13/16	2 3/8	10	13	13 3/16	6 @ 927#
		AL500-23-43	Alum	20'	2 11/16	7 3/16	21'-0"	30 5/8	23 7/8	-	12 11/16	10	-	27	13 1/4	6 @ 841#
		GLC500-23 (S or AL)-53	Steel	6'	2 13/16	7 1/8	21'-0"	14 15/16	8 7/8	15 1/8	12 13/16	2 3/8	-	13	13 3/16	22 @ 803#
	53'	GLCS500-23 (S or AL)-53	Steel	20'	2 13/16	7 1/8	21'-0"	14 15/16	16 1/2	22 3/4	12 13/16	2 3/8	10	13	13 3/16	8 @ 927#
		AL500-23-53	Alum	20'	2 11/16	7 3/16	21'-0"	30 5/8	23 7/8	-	12 11/16	10	-	30	13 1/4	8 @ 841#
GLCSL500-23 (S or AL)-53		Steel	25'	2 13/16	7 1/8	21'-0"	14 15/16	18 7/8	25 1/8	12 13/16	2 3/8	12 3/8	13	13 3/16	6 @ 1,046#	
63'	GLC500-23 (S or AL)-63	Steel	6'	2 13/16	7 1/8	21'-0"	14 15/16	8 7/8	15 1/8	12 13/16	2 3/8	-	19	13 3/16	26 @ 803#	
	GLCS500-23 (S or AL)-63	Steel	20'	2 13/16	7 1/8	21'-0"	14 15/16	16 1/2	22 3/4	12 13/16	2 3/8	10	19	13 3/16	8 @ 927#	
	AL500-23-63	Alum	20'	2 11/16	7 3/16	21'-0"	30 5/8	23 7/8	-	12 11/16	10	-	37	13 1/4	8 @ 841#	
64'	GLCSLX500-23 (S or AL)-64	Steel	30'	2 13/16	7 1/8	21'-0"	30 9/16	20 7/8	27 1/8	12 13/16	2 3/8	14 3/8	46	13 3/16	6 @ 1,109#	
	GLCSL500-23 (S or AL)-78	Steel	25'	2 13/16	7 1/8	21'-0"	30 9/16	18 7/8	25 1/8	12 13/16	2 3/8	12 3/8	54	13 3/16	8 @ 1,046#	
	GLC500-23 (S or AL)-83	Steel	6'	2 13/16	7 1/8	21'-0"	30 9/16	8 7/8	15 1/8	12 13/16	2 3/8	-	54	13 3/16	34 @ 803#	
83'	GLCS500-23 (S or AL)-83	Steel	20'	2 13/16	7 1/8	21'-0"	30 9/16	16 1/2	22 3/4	12 13/16	2 3/8	10	54	13 3/16	10 @ 927#	
	AL500-23-83	Alum	20'	2 11/16	7 3/16	21'-0"	30 5/8	23 7/8	-	12 11/16	10	-	47	13 1/4	10 @ 841#	
	GLCSLX-23 (S or AL)-94	Steel	30'	2 13/16	7 1/8	21'-0"	30 9/16	20 7/8	27 1/8	12 13/16	2 3/8	14 3/8	54	13 3/16	8 @ 1,109#	
103'	GLC500-23 (S or AL)-103	Steel	6'	2 13/16	7 1/8	21'-0"	30 9/16	8 7/8	15 1/8	12 13/16	2 3/8	-	54	13 3/16	42 @ 803#	
	GLCS500-23 (S or AL)-103	Steel	20'	2 13/16	7 1/8	21'-0"	30 9/16	16 1/2	22 3/4	12 13/16	2 3/8	10	54	13 3/16	12 @ 927#	
	AL500-23-103	Alum	20'	2 11/16	7 3/16	21'-0"	30 5/8	23 7/8	-	12 11/16	10	-	53	13 1/4	12 @ 841#	
124'	GLCSL500-23 (S or AL)-103	Steel	25'	2 13/16	7 1/8	21'-0"	30 9/16	18 7/8	25 1/8	12 13/16	2 3/8	12 3/8	54	13 3/16	10 @ 1,046#	
	GLCSLX500-23 (S or AL)-124	Steel	30'	2 13/16	7 1/8	21'-0"	30 9/16	20 7/8	27 1/8	12 13/16	2 3/8	14 3/8	54	13 3/16	10 @ 1,109#	
	GLC500-28 (S or AL)-23	Steel	6'	2 13/16	7 1/8	25'-0"	17 7/16	10 11/16	15	15 3/16	2 3/8	-	9	23 5/16	10 @ 859#	
23'	GLCS500-28 (S or AL)-23	Steel	20'	2 13/16	7 1/8	25'-0"	17 7/16	18 5/16	22 5/8	15 3/16	2 3/8	10	9	23 5/16	4 @ 983#	
	AL500-28-23	Alum	20'	2 5/8	7 13/16	25'-0"	38	22 11/16	-	13 1/8	10 1/2	-	14	23 3/8	4 @ 904#	
	GLCSL500-28 (S or AL)-28	Steel	25'	2 13/16	7 1/8	25'-0"	17 7/16	20 11/16	25	15 3/16	2 3/8	12 3/8	9	23 5/16	4 @ 1,102#	
33'	GLC500-28 (S or AL)-33	Steel	6'	2 13/16	7 1/8	25'-0"	17 7/16	10 11/16	15	15 3/16	2 3/8	-	9	23 5/16	14 @ 859#	
	GLCS500-28 (S or AL)-33	Steel	20'	2 13/16	7 1/8	25'-0"	17 7/16	18 5/16	22 5/8	15 3/16	2 3/8	10	9	23 5/16	6 @ 983#	
	AL500-28-33	Alum	20'	2 5/8	7 13/16	25'-0"	38	22 11/16	-	13 1/8	10 1/2	-	20	23 3/8	6 @ 904#	
34'	GLCSLX500-28 (S or AL)-34	Steel	30'	2 13/16	7 1/8	25'-0"	17 7/16	22 11/16	27	15 3/16	2 3/8	14 3/8	9	23 5/16	4 @ 1,165#	
	GLC500-28 (S or AL)-43	Steel	6'	2 13/16	7 1/8	25'-0"	17 7/16	10 11/16	15	15 3/16	2 3/8	-	13	23 5/16	18 @ 859#	
	GLCS500-28 (S or AL)-43	Steel	20'	2 13/16	7 1/8	25'-0"	17 7/16	18 5/16	22 5/8	15 3/16	2 3/8	10	13	23 5/16	6 @ 983#	
43'	AL500-28-43	Alum	20'	2 5/8	7 13/16	25'-0"	38	22 11/16	-	13 1/8	10 1/2	-	27	23 3/8	6 @ 904#	
	GLC500-28 (S or AL)-53	Steel	6'	2 13/16	7 1/8	25'-0"	17 7/16	10 11/16	15	15 3/16	2 3/8	-	13	23 5/16	22 @ 859#	
	GLCS500-28 (S or AL)-53	Steel	20'	2 13/16	7 1/8	25'-0"	17 7/16	18 5/16	22 5/8	15 3/16	2 3/8	10	13	23 5/16	8 @ 983#	
53'	AL500-28-53	Alum	20'	2 5/8	7 13/16	25'-0"	38	22 11/16	-	13 1/8	10 1/2	-	30	23 3/8	8 @ 904#	
	GLCSL500-28 (S or AL)-53	Steel	25'	2 13/16	7 1/8	25'-0"	17 7/16	20 11/16	25	15 3/16	2 3/8	12 3/8	13	23 5/16	6 @ 1,102#	
	GLC500-28 (S or AL)-63	Steel	6'	2 13/16	7 1/8	25'-0"	17 7/16	10 11/16	15	15 3/16	2 3/8	-	19	23 5/16	26 @ 859#	
63'	GLCS500-28 (S or AL)-63	Steel	20'	2 13/16	7 1/8	25'-0"	17 7/16	18 5/16	22 5/8	15 3/16	2 3/8	10	19	23 5/16	8 @ 983#	
	AL500-28-63	Alum	20'	2 5/8	7 13/16	25'-0"	38	22 11/16	-	13 1/8	10 1/2	-	37	23 3/8	8 @ 904#	
	GLCSLX500-28 (S or AL)-64	Steel	30'	2 13/16	7 1/8	25'-0"	37 5/16	22 11/16	27	15 3/16	2 3/8	14 3/8	46	23 5/16	6 @ 1,165#	
64'	GLCSL500-28 (S or AL)-78	Steel	25'	2 13/16	7 1/8	25'-0"	37 5/16	20 11/16	25	15 3/16	2 3/8	12 3/8	54	23 5/16	8 @ 1,102#	
	GLC500-28 (S or AL)-83	Steel	6'	2 13/16	7 1/8	25'-0"	37 5/16	10 11/16	15	15 3/16	2 3/8	-	54	23 5/16	34 @ 859#	
	GLCS500-28 (S or AL)-83	Steel	20'	2 13/16	7 1/8	25'-0"	37 5/16	18 5/16	22 5/8	15 3/16	2 3/8	10	54	23 5/16	10 @ 983#	
83'	AL500-28-83	Alum	20'	2 5/8	7 13/16	25'-0"	38	22 11/16	-	13 1/8	10 1/2	-	47	23 3/8	10 @ 904#	
	GLCSLX500-28 (S or AL)-94	Steel	30'	2 13/16	7 1/8	25'-0"	37 5/16	22 11/16	27	15 3/16	2 3/8	14 3/8	54	23 5/16	8 @ 1,165#	
	GLC500-28 (S or AL)-103	Steel	6'	2 13/16	7 1/8	25'-0"	37 5/16	10 11/16	15	15 3/16	2 3/8	-	54	23 5/16	42 @ 859#	
103'	GLCS500-28 (S or AL)-103	Steel	20'	2 13/16	7 1/8	25'-0"	37 5/16	18 5/16	22 5/8	15 3/16	2 3/8	10	54	23 5/16	12 @ 983#	
	AL500-28-103	Alum	20'	2 5/8	7 13/16	25'-0"	38	22 11/16	-	13 1/8	10 1/2	-	53	23 3/8	12 @ 904#	
	GLCSL500-28 (S or AL)-103	Steel	25'	2 13/16	7 1/8	25'-0"	37 5/16	20 11/16	25	15 3/16	2 3/8	12 3/8	54	23 5/16	10 @ 1,102#	
124'	GLCSLX500-28 (S or AL)-124	Steel	30'	2 13/16	7 1/8	25'-0"	37 5/16	22 11/16	27	15 3/16	2 3/8	14 3/8	54	23 5/16	10 @ 1,165#	

*This column provides the total number of support hangers with the corresponding vertical load applied by each support hanger (in pounds) based on the "L1" dimensions shown. Up to a 20" hanger drop will be provided by Gorbel. Additional hanger points or longer drops can be provided at an additional charge.

Gorbel® Ceiling Mounted Work Station Bridge Crane Kits include: bridge, runways, hoist trolley, end trucks, end stops, flat wire festooning, festoon gliders (festoon trolleys on steel runway lengths greater than 63' and all aluminum systems), festoon stack-up section, splice joints and hanger brackets. Sway bracing is required on all systems except flush mounted systems (by others). Sway bracing kits are available but not included in the crane kit. Hoist provided by others.

Dimensions are for reference only and are subject to change without notice.

CEILING MOUNTED WORK STATION BRIDGE CRANES

BRIDGE LENGTH (L)	RUNWAY LENGTH	MODEL NUMBER	TRACK MATL.	BRIDGE								RUNWAY				
				MAX L1	T1 in	L3 in	L4 ft	L6 in	H3 in	H3A in	H4 in	H2 in	H1 in	L7 in	L8 in	HANGERS (See Note)*
34'	28'	GLCSL500-15 (S or AL)-28	Steel	25'	2 13/16	7 1/8	30'-0"	19 15/16	20 11/16	25	17 3/16	2 3/8	12 3/8	9	23 5/16	4 @ 1,133#
	33'	GLC500-15 (S or AL)-33	Steel	6'	2 13/16	7 1/8	30'-0"	19 15/16	10 11/16	15	17 3/16	2 3/8	-	9	23 5/16	14 @ 891#
		GLCS500-15 (S or AL)-33	Steel	20'	2 13/16	7 1/8	30'-0"	19 15/16	18 5/16	22 5/8	17 3/16	2 3/8	10	9	23 5/16	6 @ 1,014#
	34'	AL500-15-33	Alum	20'	2 5/8	7 13/16	30'-0"	44 11/16	22 11/16	-	15 1/4	12 5/8	-	20	23 3/8	6 @ 935#
		GLCSLX500-15 (S or AL)-34	Steel	30'	2 13/16	7 1/8	30'-0"	19 15/16	22 11/16	27	17 3/16	2 3/8	14 3/8	9	23 5/16	4 @ 1,196#
	43'	GLC500-15 (S or AL)-43	Steel	6'	2 13/16	7 1/8	30'-0"	19 15/16	10 11/16	15	17 3/16	2 3/8	-	13	23 5/16	18 @ 891#
		GLCS500-15 (S or AL)-43	Steel	20'	2 13/16	7 1/8	30'-0"	19 15/16	18 5/16	22 5/8	17 3/16	2 3/8	10	13	23 5/16	6 @ 1,014#
	53'	AL500-15-43	Alum	20'	2 5/8	7 13/16	30'-0"	44 11/16	22 11/16	-	15 1/4	12 5/8	-	27	23 3/8	6 @ 935#
		GLCSL500-15 (S or AL)-53	Steel	25'	2 13/16	7 1/8	30'-0"	19 15/16	20 11/16	25	17 3/16	2 3/8	12 3/8	13	23 5/16	6 @ 1,133#
	63'	GLC500-15 (S or AL)-63	Steel	6'	2 13/16	7 1/8	30'-0"	19 15/16	10 11/16	15	17 3/16	2 3/8	-	19	23 5/16	26 @ 891#
		GLCS500-15 (S or AL)-63	Steel	20'	2 13/16	7 1/8	30'-0"	19 15/16	18 5/16	22 5/8	17 3/16	2 3/8	10	19	23 5/16	8 @ 1,014#
	64'	AL500-15-63	Alum	20'	2 5/8	7 13/16	30'-0"	44 11/16	22 11/16	-	15 1/4	12 5/8	-	37	23 3/8	8 @ 935#
		GLCSLX500-15 (S or AL)-64	Steel	30'	2 13/16	7 1/8	30'-0"	44	22 11/16	27	17 3/16	2 3/8	14 3/8	46	23 5/16	6 @ 1,196#
	78'	GLCSL500-15 (S or AL)-78	Steel	25'	2 13/16	7 1/8	30'-0"	44	20 11/16	25	17 3/16	2 3/8	12 3/8	54	23 5/16	8 @ 1,133#
	83'	GLC500-15 (S or AL)-83	Steel	6'	2 13/16	7 1/8	30'-0"	44	10 11/16	15	17 3/16	2 3/8	-	54	23 5/16	34 @ 891#
		GLCS500-15 (S or AL)-83	Steel	20'	2 13/16	7 1/8	30'-0"	44	18 5/16	22 5/8	17 3/16	2 3/8	10	54	23 5/16	10 @ 1,014#
94'	AL500-15-83	Alum	20'	2 5/8	7 13/16	30'-0"	44 11/16	22 11/16	-	15 1/4	12 5/8	-	47	23 3/8	10 @ 935#	
	GLCSLX-15 (S or AL)-94	Steel	30'	2 13/16	7 1/8	30'-0"	44	22 11/16	27	17 3/16	2 3/8	14 3/8	54	23 5/16	8 @ 1,196#	
103'	GLC500-15 (S or AL)-103	Steel	6'	2 13/16	7 1/8	30'-0"	44	10 11/16	15	17 3/16	2 3/8	-	54	23 5/16	42 @ 891#	
	GLCS500-15 (S or AL)-103	Steel	20'	2 13/16	7 1/8	30'-0"	44	18 5/16	22 5/8	17 3/16	2 3/8	10	54	23 5/16	12 @ 1,041#	
124'	AL500-15-103	Alum	20'	2 5/8	7 13/16	30'-0"	44 11/16	22 11/16	-	15 1/4	12 5/8	-	53	23 3/8	12 @ 935#	
	GLCSL500-15 (S or AL)-103	Steel	25'	2 13/16	7 1/8	30'-0"	44	20 11/16	25	17 3/16	2 3/8	12 3/8	54	23 5/16	10 @ 1,133#	
124'	GLCSLX500-15 (S or AL)-124	Steel	30'	2 13/16	7 1/8	30'-0"	44	22 11/16	27	17 3/16	2 3/8	14 3/8	54	23 5/16	10 @ 1,196#	

*This column provides the total number of support hangers with the corresponding vertical load applied by each support hanger (in pounds) based on the "L1" dimensions shown. Up to a 20" hanger drop will be provided by Gorbel. Additional hanger points or longer drops can be provided at an additional charge.

Gorbel® Ceiling Mounted Work Station Bridge Crane Kits include: bridge, runways, hoist trolley, end trucks, end stops, flat wire festooning, festoon gliders (festoon trolleys on steel runway lengths greater than 63' and all aluminum systems), festoon stack-up section, splice joints and hanger brackets. Sway bracing is required on all systems except flush mounted systems (by others). Sway bracing kits are available but not included in the crane kit. Hoist provided by others.

Dimensions are for reference only and are subject to change without notice.

1000# CAPACITY

CEILING MOUNTED WORK STATION BRIDGE CRANES

BRIDGE LENGTH (L)	RUNWAY LENGTH	MODEL NUMBER	TRACK MATL.	BRIDGE								RUNWAY				
				MAX L1	T1 in	L3 in	L4 ft	L6 in	H3 in	H3A in	H4 in	H2 in	H1 in	L7 in	L8 in	HANGERS (See Note)*
8'	11'-6"	GLC1000-8 (S or AL)-11.5	Steel	6'	3 1/8	7 7/8	6'-6"	10 13/16	10 3/16	14 1/8	7 5/8	3 1/16	-	9	15	6 @ 1,462#
		GLCS1000-8 (S or AL)-11.5	Steel	20'	3 1/8	7 7/8	6'-6"	10 13/16	18 3/16	22 1/8	7 5/8	3 1/16	11 1/16	9	15	4 @ 1,670#
		AL1000-8-11.5	Alum	20'	2 5/8	7 13/16	6'-6"	13 1/2	22 1/16	-	7 3/4	5 1/8	-	13	14 15/16	4 @ 1,585#
	23'	GLC1000-8 (S or AL)-23	Steel	6'	3 1/8	7 7/8	6'-6"	10 13/16	10 3/16	14 1/8	7 5/8	3 1/16	-	9	15	10 @ 1,462#
		GLCS1000-8 (S or AL)-23	Steel	20'	3 1/8	7 7/8	6'-6"	10 13/16	18 3/16	22 1/8	7 5/8	3 1/16	11 1/16	9	15	4 @ 1,670#
		AL1000-8-23	Alum	20'	2 5/8	7 13/16	6'-6"	13 1/2	22 1/16	-	7 3/4	5 1/8	-	26	14 15/16	4 @ 1,585#
	28'	GLCSL1000-8 (S or AL)-28	Steel	25'	3 1/8	7 7/8	6'-6"	10 13/16	21 1/16	25	7 5/8	3 1/16	13 15/16	13	15	4 @ 1,777#
		GLC1000-8 (S or AL)-33	Steel	6'	3 1/8	7 7/8	6'-6"	10 13/16	10 3/16	14 1/8	7 5/8	3 1/16	-	13	15	14 @ 1,462#
	33'	GLCS1000-8 (S or AL)-33	Steel	20'	3 1/8	7 7/8	6'-6"	10 13/16	18 3/16	22 1/8	7 5/8	3 1/16	11 1/16	13	15	6 @ 1,670#
		AL1000-8-33	Alum	20'	2 5/8	7 13/16	6'-6"	13 1/2	22 1/16	-	7 3/4	5 1/8	-	39	14 15/16	6 @ 1,585#
	34'	GLCSLX1000-8 (S or AL)-34	Steel	30'	3 1/8	7 7/8	6'-6"	10 13/16	24 3/16	28 1/8	7 5/8	3 1/16	17 1/16	13	15	4 @ 1,949
		GLC1000-8 (S or AL)-43	Steel	6'	3 1/8	7 7/8	6'-6"	10 13/16	10 3/16	14 1/8	7 5/8	3 1/16	-	19	15	18 @ 1,462#
	43'	GLCS1000-8 (S or AL)-43	Steel	20'	3 1/8	7 7/8	6'-6"	10 13/16	18 3/16	22 1/8	7 5/8	3 1/16	11 1/16	19	15	6 @ 1,670#
		AL1000-8-43	Alum	20'	2 5/8	7 13/16	6'-6"	13 1/2	22 1/16	-	7 3/4	5 1/8	-	49	14 15/16	6 @ 1,585#
		GLC1000-8 (S or AL)-53	Steel	6'	3 1/8	7 7/8	6'-6"	10 13/16	10 3/16	14 1/8	7 5/8	3 1/16	-	19	15	22 @ 1,462#
	53'	GLCS1000-8 (S or AL)-53	Steel	20'	3 1/8	7 7/8	6'-6"	10 13/16	18 3/16	22 1/8	7 5/8	3 1/16	11 1/16	19	15	8 @ 1,670#
AL1000-8-53		Alum	20'	2 5/8	7 13/16	6'-6"	13 1/2	22 1/16	-	7 3/4	5 1/8	-	53	14 15/16	8 @ 1,585#	
GLCSL1000-8 (S or AL)-53		Steel	25'	3 1/8	7 7/8	6'-6"	10 13/16	21 1/16	25	7 5/8	3 1/16	13 15/16	19	15	6 @ 1,777#	
63'	GLC1000-8 (S or AL)-63	Steel	6'	3 1/8	7 7/8	6'-6"	10 13/16	10 3/16	14 1/8	7 5/8	3 1/16	-	26	15	26 @ 1,462#	
	GLCS1000-8 (S or AL)-63	Steel	20'	3 1/8	7 7/8	6'-6"	10 13/16	18 3/16	22 1/8	7 5/8	3 1/16	11 1/16	26	15	8 @ 1,670#	
64'	AL1000-8-63	Alum	20'	2 5/8	7 13/16	6'-6"	13 1/2	22 1/16	-	7 3/4	5 1/8	-	53	14 15/16	8 @ 1,585#	
	GLCSLX1000-8 (S or AL)-64	Steel	30'	3 1/8	7 7/8	6'-6"	13 1/2	24 3/16	28 1/8	7 5/8	3 1/16	17 1/16	54	15	6 @ 1,949#	
78'	GLCSL1000-8 (S or AL)-78	Steel	25'	3 1/8	7 7/8	6'-6"	13 1/2	21 1/16	25	7 5/8	3 1/16	13 15/16	54	15	8 @ 1,777#	
	GLC1000-8 (S or AL)-83	Steel	6'	3 1/8	7 7/8	6'-6"	13 1/2	10 3/16	14 1/8	7 5/8	3 1/16	-	54	15	34 @ 1,462#	
83'	GLCS1000-8 (S or AL)-83	Steel	20'	3 1/8	7 7/8	6'-6"	13 1/2	18 3/16	22 1/8	7 5/8	3 1/16	11 1/16	54	15	10 @ 1,670#	
	AL1000-8-83	Alum	20'	2 5/8	7 13/16	6'-6"	13 1/2	22 1/16	-	7 3/4	5 1/8	-	53	14 15/16	10 @ 1,585#	
	GLCSLX8 (S or AL)-94	Steel	30'	3 1/8	7 7/8	6'-6"	13 1/2	24 3/16	28 1/8	7 5/8	3 1/16	17 1/16	54	15	8 @ 1,949#	
103'	GLC1000-8 (S or AL)-103	Steel	6'	3 1/8	7 7/8	6'-6"	13 1/2	10 3/16	14 1/8	7 5/8	3 1/16	-	54	15	42 @ 1,462#	
	GLCS1000-8 (S or AL)-103	Steel	20'	3 1/8	7 7/8	6'-6"	13 1/2	18 3/16	22 1/8	7 5/8	3 1/16	11 1/16	54	15	12 @ 1,670#	
	AL1000-8-103	Alum	20'	2 5/8	7 13/16	6'-6"	13 1/2	22 1/16	-	7 3/4	5 1/8	-	53	14 15/16	12 @ 1,585#	
124'	GLCSL1000-8 (S or AL)-103	Steel	25'	3 1/8	7 7/8	6'-6"	13 1/2	21 1/16	25	7 5/8	3 1/16	13 15/16	54	15	10 @ 1,777#	
	GLCSLX1000-8 (S or AL)-124	Steel	30'	3 1/8	7 7/8	6'-6"	13 1/2	24 3/16	28 1/8	7 5/8	3 1/16	17 1/16	54	15	10 @ 1,949#	
10'	11'-6"	GLC1000-10 (S or AL)-11.5	Steel	6'	3 1/8	7 7/8	8'-0"	12 13/16	10 3/16	14 1/8	7 5/8	3 1/16	-	9	15	6 @ 1,468#
		GLCS1000-10 (S or AL)-11.5	Steel	20'	3 1/8	7 7/8	8'-0"	12 13/16	18 3/16	22 1/8	7 5/8	3 1/16	11 1/16	9	15	4 @ 1,676#
		AL1000-10-11.5	Alum	20'	2 5/8	7 13/16	8'-0"	16 7/8	22 1/16	-	13 1/8	10 1/2	-	13	14 15/16	4 @ 1,604#
	23'	GLC1000-10 (S or AL)-23	Steel	6'	3 1/8	7 7/8	8'-0"	12 13/16	10 3/16	14 1/8	7 5/8	3 1/16	-	9	15	10 @ 1,468#
		GLCS1000-10 (S or AL)-23	Steel	20'	3 1/8	7 7/8	8'-0"	12 13/16	18 3/16	22 1/8	7 5/8	3 1/16	11 1/16	9	15	4 @ 1,676#
		AL1000-10-23	Alum	20'	2 5/8	7 13/16	8'-0"	16 7/8	22 1/16	-	13 1/8	10 1/2	-	26	14 15/16	4 @ 1,604#
	28'	GLCSL1000-10 (S or AL)-28	Steel	25'	3 1/8	7 7/8	8'-0"	12 13/16	21 1/16	25	7 5/8	3 1/16	13 15/16	13	15	4 @ 1,783#
		GLC1000-10 (S or AL)-33	Steel	6'	3 1/8	7 7/8	8'-0"	12 13/16	10 3/16	14 1/8	7 5/8	3 1/16	-	13	15	14 @ 1,468#
	33'	GLCS1000-10 (S or AL)-33	Steel	20'	3 1/8	7 7/8	8'-0"	12 13/16	18 3/16	22 1/8	7 5/8	3 1/16	11 1/16	13	15	6 @ 1,676#
		AL1000-10-33	Alum	20'	2 5/8	7 13/16	8'-0"	16 7/8	22 1/16	-	13 1/8	10 1/2	-	39	14 15/16	6 @ 1,604#
	34'	GLCSLX1000-10 (S or AL)-34	Steel	30'	3 1/8	7 7/8	8'-0"	12 13/16	24 3/16	28 1/8	7 5/8	3 1/16	17 1/16	13	15	4 @ 1,955#
		GLC1000-10 (S or AL)-43	Steel	6'	3 1/8	7 7/8	8'-0"	12 13/16	10 3/16	14 1/8	7 5/8	3 1/16	-	19	15	18 @ 1,468#
	43'	GLCS1000-10 (S or AL)-43	Steel	20'	3 1/8	7 7/8	8'-0"	12 13/16	18 3/16	22 1/8	7 5/8	3 1/16	11 1/16	19	15	6 @ 1,676#
		AL1000-10-43	Alum	20'	2 5/8	7 13/16	8'-0"	16 7/8	22 1/16	-	13 1/8	10 1/2	-	49	14 15/16	6 @ 1,604#
		GLC1000-10 (S or AL)-53	Steel	6'	3 1/8	7 7/8	8'-0"	12 13/16	10 3/16	14 1/8	7 5/8	3 1/16	-	19	15	22 @ 1,468#
	53'	GLCS1000-10 (S or AL)-53	Steel	20'	3 1/8	7 7/8	8'-0"	12 13/16	18 3/16	22 1/8	7 5/8	3 1/16	11 1/16	19	15	8 @ 1,676#
AL1000-10-53		Alum	20'	2 5/8	7 13/16	8'-0"	16 7/8	22 1/16	-	13 1/8	10 1/2	-	53	14 15/16	8 @ 1,604#	
GLCSL1000-10 (S or AL)-53		Steel	25'	3 1/8	7 7/8	8'-0"	12 13/16	21 1/16	25	7 5/8	3 1/16	13 15/16	19	15	6 @ 1,783#	
63'	GLC1000-10 (S or AL)-63	Steel	6'	3 1/8	7 7/8	8'-0"	12 13/16	10 3/16	14 1/8	7 5/8	3 1/16	-	26	15	26 @ 1,468#	
	GLCS1000-10 (S or AL)-63	Steel	20'	3 1/8	7 7/8	8'-0"	12 13/16	18 3/16	22 1/8	7 5/8	3 1/16	11 1/16	26	15	8 @ 1,676#	
64'	AL1000-10-63	Alum	20'	2 5/8	7 13/16	8'-0"	16 7/8	22 1/16	-	13 1/8	10 1/2	-	53	14 15/16	8 @ 1,604#	
	GLCSLX1000-10 (S or AL)-64	Steel	30'	3 1/8	7 7/8	8'-0"	16 7/8	24 3/16	28 1/8	7 5/8	3 1/16	17 1/16	54	15	6 @ 1,955#	
78'	GLCSL1000-10 (S or AL)-78	Steel	25'	3 1/8	7 7/8	8'-0"	16 7/8	21 1/16	25	7 5/8	3 1/16	13 15/16	54	15	8 @ 1,783#	
	GLC1000-10 (S or AL)-83	Steel	6'	3 1/8	7 7/8	8'-0"	16 7/8	10 3/16	14 1/8	7 5/8	3 1/16	-	54	15	34 @ 1,468#	
83'	GLCS1000-10 (S or AL)-83	Steel	20'	3 1/8	7 7/8	8'-0"	16 7/8	18 3/16	22 1/8	7 5/8	3 1/16	11 1/16	54	15	10 @ 1,676#	
	AL1000-10-83	Alum	20'	2 5/8	7 13/16	8'-0"	16 7/8	22 1/16	-	13 1/8	10 1/2	-	53	14 15/16	10 @ 1,604#	
	GLCSLX1000-10 (S or AL)-94	Steel	30'	3 1/8	7 7/8	8'-0"	16 7/8	24 3/16	28 1/8	7 5/8	3 1/16	17 1/16	54	15	8 @ 1,955#	
103'	GLC1000-10 (S or AL)-103	Steel	6'	3 1/8	7 7/8	8'-0"	16 7/8	10 3/16	14 1/8	7 5/8	3 1/16	-	54	15	42 @ 1,468#	
	GLCS1000-10 (S or AL)-103	Steel	20'	3 1/8	7 7/8	8'-0"	16 7/8	18 3/16	22 1/8	7 5/8	3 1/16	11 1/16	54	15	12 @ 1,676#	
	AL1000-10-103	Alum	20'	2 5/8	7 13/16	8'-0"	16 7/8	22 1/16	-	13 1/8	10 1/2	-	53	14 15/16	12 @ 1,604#	
124'	GLCSL1000-10 (S or AL)-103	Steel	25'	3 1/8	7 7/8	8'-0"	16 7/8	21 1/16	25	7 5/8	3 1/16	13 15/16	54	15	10 @ 1,783#	
	GLCSLX1000-10 (S or AL)-124	Steel	30'	3 1/8	7 7/8	8'-0"	16 7/8	24 3/16	28 1/8	7 5/8	3 1/16	17 1/16	54	15	10 @ 1,955#	

*This column provides the total number of support hangers with the corresponding vertical load applied by each support hanger (in pounds) based on the "L1" dimensions shown. Up to a 20" hanger drop will be provided by Gorbel. Additional hanger points or longer drops can be provided at an additional charge.

Gorbel® Ceiling Mounted Work Station Bridge Crane Kits include: bridge, runways, hoist trolley, end stops, flat wire festooning, festoon gliders (festoon trolleys on steel runway lengths greater than 63' and all aluminum systems), festoon stack-up section, splice joints and hanger brackets. Sway bracing is required on all systems except flush mounted systems (by others). Sway bracing kits are available but not included in the crane kit. Hoist provided by others.

Dimensions are for reference only and are subject to change without notice.

CEILING MOUNTED WORK STATION BRIDGE CRANES

CEILING MOUNTED WORK STATION BRIDGE CRANES

BRIDGE LENGTH (L)	RUNWAY LENGTH	MODEL NUMBER	TRACK MATL.	BRIDGE								RUNWAY				
				MAX L1	T1 in	L3 in	L4 ft	L6 in	H3 in	H3A in	H4 in	H2 in	H1 in	L7 in	L8 in	HANGERS (See Note)*
15'	23'	GLC1000-15 (S or AL)-23	Steel	6'	3 1/8	7 7/8	13'-0"	16 13/16	10 3/16	14 1/8	14 1/8	3 1/16	-	9	15	10 @ 1,517#
		GLCS1000-15 (S or AL)-23	Steel	20'	3 1/8	7 7/8	13'-0"	16 13/16	18 3/16	22 1/8	14 1/8	3 1/16	11 1/16	9	15	4 @ 1,725#
		AL1000-15-23	Alum	20'	2 5/8	7 13/16	13'-0"	23 9/16	22 1/16	-	13 1/8	10 1/2	-	26	14 15/16	4 @ 1,626#
	28'	GLCSL1000-15 (S or AL)-28	Steel	25'	3 1/8	7 7/8	13'-0"	16 13/16	21 1/16	25	14 1/8	3 1/16	13 15/16	13	15	4 @ 1,832#
		GLC1000-15 (S or AL)-33	Steel	6'	3 1/8	7 7/8	13'-0"	16 13/16	10 3/16	14 1/8	14 1/8	3 1/16	-	13	15	14 @ 1,517#
		GLCS1000-15 (S or AL)-33	Steel	20'	3 1/8	7 7/8	13'-0"	16 13/16	18 3/16	22 1/8	14 1/8	3 1/16	11 1/16	13	15	6 @ 1,725#
	33'	AL1000-15-33	Alum	20'	2 5/8	7 13/16	13'-0"	23 9/16	22 1/16	-	13 1/8	10 1/2	-	39	14 15/16	6 @ 1,626#
		GLCSLX1000-15 (S or AL)-34	Steel	30'	3 1/8	7 7/8	13'-0"	16 13/16	24 3/16	28 1/8	14 1/8	3 1/16	17 1/16	13	15	4 @ 2,004#
		GLC1000-15 (S or AL)-43	Steel	6'	3 1/8	7 7/8	13'-0"	16 13/16	10 3/16	14 1/8	14 1/8	3 1/16	-	19	15	18 @ 1,517#
	43'	GLCS1000-15 (S or AL)-43	Steel	20'	3 1/8	7 7/8	13'-0"	16 13/16	18 3/16	22 1/8	14 1/8	3 1/16	11 1/16	19	15	6 @ 1,725#
		AL1000-15-43	Alum	20'	2 5/8	7 13/16	13'-0"	23 9/16	22 1/16	-	13 1/8	10 1/2	-	49	14 15/16	6 @ 1,626#
		GLC1000-15 (S or AL)-53	Steel	6'	3 1/8	7 7/8	13'-0"	16 13/16	10 3/16	14 1/8	14 1/8	3 1/16	-	19	15	22 @ 1,517#
	53'	GLCS1000-15 (S or AL)-53	Steel	20'	3 1/8	7 7/8	13'-0"	16 13/16	18 3/16	22 1/8	14 1/8	3 1/16	11 1/16	19	15	8 @ 1,725#
		AL1000-15-53	Alum	20'	2 5/8	7 13/16	13'-0"	23 9/16	22 1/16	-	13 1/8	10 1/2	-	53	14 15/16	8 @ 1,626#
GLCSL1000-15 (S or AL)-53		Steel	25'	3 1/8	7 7/8	13'-0"	16 13/16	22 1/16	25	14 1/8	3 1/16	13 15/16	19	15	6 @ 1,626#	
63'	GLC1000-15 (S or AL)-63	Steel	6'	3 1/8	7 7/8	13'-0"	16 13/16	10 3/16	14 1/8	14 1/8	3 1/16	-	26	15	26 @ 1,517#	
	GLCS1000-15 (S or AL)-63	Steel	20'	3 1/8	7 7/8	13'-0"	16 13/16	18 3/16	22 1/8	14 1/8	3 1/16	11 1/16	26	15	8 @ 1,725#	
	AL1000-15-63	Alum	20'	2 5/8	7 13/16	13'-0"	23 9/16	22 1/16	-	13 1/8	10 1/2	-	53	14 15/16	8 @ 1,626#	
64'	GLCSLX1000-15 (S or AL)-64	Steel	30'	3 1/8	7 7/8	13'-0"	16 13/16	24 3/16	28 1/8	14 1/8	3 1/16	17 1/16	54	15	6 @ 2,004#	
	GLCSL1000-15 (S or AL)-78	Steel	25'	3 1/8	7 7/8	13'-0"	23 9/16	22 1/16	25	14 1/8	3 1/16	13 15/16	54	15	8 @ 1,832#	
	GLC1000-15 (S or AL)-83	Steel	6'	3 1/8	7 7/8	13'-0"	23 9/16	10 3/16	14 1/8	14 1/8	3 1/16	-	54	15	34 @ 1,517#	
83'	GLCS1000-15 (S or AL)-83	Steel	20'	3 1/8	7 7/8	13'-0"	23 9/16	18 3/16	22 1/8	14 1/8	3 1/16	11 1/16	54	15	10 @ 1,725#	
	AL1000-15-83	Alum	20'	2 5/8	7 13/16	13'-0"	23 9/16	22 1/16	-	13 1/8	10 1/2	-	53	14 15/16	10 @ 1,626#	
	GLCSLX15 (S or AL)-94	Steel	30'	3 1/8	7 7/8	13'-0"	23 9/16	24 3/16	28 1/8	14 1/8	3 1/16	17 1/16	54	15	8 @ 2,004#	
103'	GLC1000-15 (S or AL)-103	Steel	6'	3 1/8	7 7/8	13'-0"	23 9/16	10 3/16	14 1/8	14 1/8	3 1/16	-	54	15	42 @ 1,517#	
	GLCS1000-15 (S or AL)-103	Steel	20'	3 1/8	7 7/8	13'-0"	23 9/16	18 3/16	22 1/8	14 1/8	3 1/16	11 1/16	54	15	12 @ 1,725#	
	AL1000-15-103	Alum	20'	2 5/8	7 13/16	13'-0"	23 9/16	22 1/16	-	13 1/8	10 1/2	-	53	14 15/16	12 @ 1,626#	
124'	GLCSL1000-15 (S or AL)-103	Steel	25'	3 1/8	7 7/8	13'-0"	23 9/16	21 1/16	25	14 1/8	3 1/16	13 15/16	54	15	10 @ 1,832#	
	GLCSLX1000-15 (S or AL)-124	Steel	30'	3 1/8	7 7/8	13'-0"	23 9/16	24 3/16	28 1/8	14 1/8	3 1/16	17 1/16	54	15	10 @ 2,004#	
	GLC1000-20 (S or AL)-23	Steel	6'	3 1/8	7 7/8	18'-0"	18 13/16	10 3/16	14 1/8	14 1/8	3 1/16	-	9	15	10 @ 1,548#	
20'	23'	GLCS1000-20 (S or AL)-23	Steel	20'	3 1/8	7 7/8	18'-0"	18 13/16	18 3/16	22 1/8	14 1/8	3 1/16	11 1/16	9	15	4 @ 1,756#
		AL1000-20-23	Alum	20'	2 5/8	7 13/16	18'-0"	26 15/16	22 1/16	-	13 1/8	10 1/2	-	26	14 15/16	4 @ 1,648#
		GLCSL1000-20 (S or AL)-28	Steel	25'	3 1/8	7 7/8	18'-0"	18 13/16	21 1/16	25	14 1/8	3 1/16	13 15/16	13	15	4 @ 1,863#
	33'	GLC1000-20 (S or AL)-33	Steel	6'	3 1/8	7 7/8	18'-0"	18 13/16	10 3/16	14 1/8	14 1/8	3 1/16	-	13	15	14 @ 1,548#
		GLCS1000-20 (S or AL)-33	Steel	20'	3 1/8	7 7/8	18'-0"	18 13/16	18 3/16	22 1/8	14 1/8	3 1/16	11 1/16	13	15	6 @ 1,756#
		AL1000-20-33	Alum	20'	2 5/8	7 13/16	18'-0"	26 15/16	22 1/16	-	13 1/8	10 1/2	-	39	14 15/16	6 @ 1,648#
	34'	GLCSLX1000-20 (S or AL)-34	Steel	30'	3 1/8	7 7/8	18'-0"	18 13/16	24 3/16	28 1/8	14 1/8	3 1/16	17 1/16	13	15	4 @ 2,035#
		GLC1000-20 (S or AL)-43	Steel	6'	3 1/8	7 7/8	18'-0"	18 13/16	10 3/16	14 1/8	14 1/8	3 1/16	-	19	15	18 @ 1,548#
		GLCS1000-20 (S or AL)-43	Steel	20'	3 1/8	7 7/8	18'-0"	18 13/16	18 3/16	22 1/8	14 1/8	3 1/16	11 1/16	19	15	6 @ 1,756#
	43'	AL1000-20-43	Alum	20'	2 5/8	7 13/16	18'-0"	26 15/16	22 1/16	-	13 1/8	10 1/2	-	49	14 15/16	6 @ 1,648#
		GLC1000-20 (S or AL)-53	Steel	6'	3 1/8	7 7/8	18'-0"	18 13/16	10 3/16	14 1/8	14 1/8	3 1/16	-	19	15	22 @ 1,548#
		GLCS1000-20 (S or AL)-53	Steel	20'	3 1/8	7 7/8	18'-0"	18 13/16	18 3/16	22 1/8	14 1/8	3 1/16	11 1/16	19	15	8 @ 1,756#
	53'	AL1000-20-53	Alum	20'	2 5/8	7 13/16	18'-0"	26 15/16	22 1/16	-	13 1/8	10 1/2	-	53	14 15/16	8 @ 1,648#
		GLCSL1000-20 (S or AL)-53	Steel	25'	3 1/8	7 7/8	18'-0"	18 13/16	21 1/16	25	14 1/8	3 1/16	13 15/16	19	15	6 @ 1,863#
GLC1000-20 (S or AL)-63		Steel	6'	3 1/8	7 7/8	18'-0"	18 13/16	10 3/16	14 1/8	14 1/8	3 1/16	-	26	15	26 @ 1,548#	
63'	GLCS1000-20 (S or AL)-63	Steel	20'	3 1/8	7 7/8	18'-0"	18 13/16	18 3/16	22 1/8	14 1/8	3 1/16	11 1/16	26	15	8 @ 1,756#	
	AL1000-20-63	Alum	20'	2 5/8	7 13/16	18'-0"	26 15/16	22 1/16	-	13 1/8	10 1/2	-	53	14 15/16	8 @ 1,648#	
	GLCSLX1000-20 (S or AL)-64	Steel	30'	3 1/8	7 7/8	18'-0"	26 15/16	24 3/16	28 1/8	14 1/8	3 1/16	17 1/16	54	15	6 @ 2,035#	
78'	GLCSL1000-20 (S or AL)-78	Steel	25'	3 1/8	7 7/8	18'-0"	26 15/16	21 1/16	25	14 1/8	3 1/16	13 15/16	54	15	8 @ 1,863#	
	GLC1000-20 (S or AL)-83	Steel	6'	3 1/8	7 7/8	18'-0"	26 15/16	10 3/16	14 1/8	14 1/8	3 1/16	-	54	15	34 @ 1,548#	
	GLCS1000-20 (S or AL)-83	Steel	20'	3 1/8	7 7/8	18'-0"	26 15/16	18 3/16	22 1/8	14 1/8	3 1/16	11 1/16	54	15	10 @ 1,756#	
83'	AL1000-20-83	Alum	20'	2 5/8	7 13/16	18'-0"	26 15/16	22 1/16	-	13 1/8	10 1/2	-	53	14 15/16	10 @ 1,648#	
	GLCSLX1000-20 (S or AL)-94	Steel	30'	3 1/8	7 7/8	18'-0"	26 15/16	24 3/16	28 1/8	14 1/8	3 1/16	17 1/16	54	15	8 @ 2,035#	
	GLC1000-20 (S or AL)-103	Steel	6'	3 1/8	7 7/8	18'-0"	26 15/16	10 3/16	14 1/8	14 1/8	3 1/16	-	54	15	42 @ 1,548#	
103'	GLCS1000-20 (S or AL)-103	Steel	20'	3 1/8	7 7/8	18'-0"	26 15/16	18 3/16	22 1/8	14 1/8	3 1/16	11 1/16	54	15	12 @ 1,756#	
	AL1000-20-103	Alum	20'	2 5/8	7 13/16	18'-0"	26 15/16	22 1/16	-	13 1/8	10 1/2	-	53	14 15/16	12 @ 1,648#	
	GLCSL1000-20 (S or AL)-103	Steel	25'	3 1/8	7 7/8	18'-0"	26 15/16	21 1/16	25	14 1/8	3 1/16	13 15/16	54	15	10 @ 1,863#	
124'	GLCSLX1000-20 (S or AL)-124	Steel	30'	3 1/8	7 7/8	18'-0"	26 15/16	24 3/16	28 1/8	14 1/8	3 1/16	17 1/16	54	15	10 @ 2,035#	

*This column provides the total number of support hangers with the corresponding vertical load applied by each support hanger (in pounds) based on the "L1" dimensions shown. Up to a 20" hanger drop will be provided by Gorbel. Additional hanger points or longer drops can be provided at an additional charge.

Gorbel® Ceiling Mounted Work Station Bridge Crane Kits include: bridge, runways, hoist trolley, end trucks, end stops, flat wire festooning, festoon gliders (festoon trolleys on steel runway lengths greater than 63' and all aluminum systems), festoon stack-up section, splice joints and hanger brackets. Sway bracing is required on all systems except flush mounted systems (by others). Sway bracing kits are available but not included in the crane kit. Hoist provided by others.

Dimensions are for reference only and are subject to change without notice.

1000# CAPACITY

CEILING MOUNTED WORK STATION BRIDGE CRANES

BRIDGE LENGTH (L)	RUNWAY LENGTH	MODEL NUMBER	TRACK MATL.	BRIDGE										RUNWAY			
				MAX L1	T1 in	L3 in	L4 ft	L6 in	H3 in	H3A in	H4 in	H2 in	H1 in	L7 in	L8 in	HANGERS (See Note)*	
23'	23'	GLC1000-23 (S or AL)-23	Steel	6'	3 1/8	7 7/8	21'-0"	20 13/16	10 3/16	15 11/16	14 1/8	3 1/16	-	9	15	10 @ 1,566#	
		GLCS1000-23 (S or AL)-23	Steel	20'	3 1/8	7 7/8	21'-0"	20 13/16	18 3/16	23 11/16	14 1/8	3 1/16	11 1/16	9	15	4 @ 1,774#	
		AL1000-23-23	Alum	20'	2 5/8	7 13/16	20'-0"	30 1/4	22 1/16	-	13 1/8	10 1/2	-	26	14 15/16	4 @ 1,656#	
	28'	GLCSL1000-23 (S or AL)-28	Steel	25'	3 1/8	7 7/8	21'-0"	20 13/16	21 1/16	26 9/16	14 1/8	3 1/16	13 15/16	13	15	4 @ 1,881#	
		GLC1000-23 (S or AL)-33	Steel	6'	3 1/8	7 7/8	21'-0"	20 13/16	10 3/16	15 11/16	14 1/8	3 1/16	-	13	15	14 @ 1,566#	
		GLCS1000-23 (S or AL)-33	Steel	20'	3 1/8	7 7/8	21'-0"	20 13/16	18 3/16	23 11/16	14 1/8	3 1/16	11 1/16	13	15	6 @ 1,774#	
	33'	AL1000-23-33	Alum	20'	2 5/8	7 13/16	20'-0"	30 1/4	22 1/16	-	13 1/8	10 1/2	-	39	14 15/16	6 @ 1,656#	
		GLCSLX1000-23 (S or AL)-34	Steel	30'	3 1/8	7 7/8	21'-0"	20 13/16	24 3/16	29 11/16	14 1/8	3 1/16	17 1/16	13	15	4 @ 2,053#	
		GLC1000-23 (S or AL)-43	Steel	6'	3 1/8	7 7/8	21'-0"	20 13/16	10 3/16	15 11/16	14 1/8	3 1/16	-	19	15	18 @ 1,566#	
	43'	GLCS1000-23 (S or AL)-43	Steel	20'	3 1/8	7 7/8	21'-0"	20 13/16	18 3/16	23 11/16	14 1/8	3 1/16	11 1/16	19	15	6 @ 1,774#	
		AL1000-23-43	Alum	20'	2 5/8	7 13/16	20'-0"	30 1/4	22 1/16	-	13 1/8	10 1/2	-	49	14 15/16	6 @ 1,656#	
		GLC1000-23 (S or AL)-53	Steel	6'	3 1/8	7 7/8	21'-0"	20 13/16	10 3/16	15 11/16	14 1/8	3 1/16	-	19	15	22 @ 1,566#	
	53'	GLCS1000-23 (S or AL)-53	Steel	20'	3 1/8	7 7/8	21'-0"	20 13/16	18 3/16	23 11/16	14 1/8	3 1/16	11 1/16	19	15	8 @ 1,774#	
		AL1000-23-53	Alum	20'	2 5/8	7 13/16	20'-0"	30 1/4	22 1/16	-	13 1/8	10 1/2	-	53	14 15/16	8 @ 1,656#	
GLCSL1000-23 (S or AL)-53		Steel	25'	3 1/8	7 7/8	21'-0"	20 13/16	21 1/16	26 9/16	14 1/8	3 1/16	13 15/16	19	15	6 @ 1,881#		
63'	GLC1000-23 (S or AL)-63	Steel	6'	3 1/8	7 7/8	21'-0"	20 13/16	10 3/16	15 11/16	14 1/8	3 1/16	-	26	15	26 @ 1,566#		
	GLCS1000-23 (S or AL)-63	Steel	20'	3 1/8	7 7/8	21'-0"	20 13/16	18 3/16	23 11/16	14 1/8	3 1/16	11 1/16	26	15	8 @ 1,774#		
	AL1000-23-63	Alum	20'	2 5/8	7 13/16	20'-0"	30 1/4	22 1/16	-	13 1/8	10 1/2	-	53	14 15/16	8 @ 1,656#		
64'	GLCSLX1000-23 (S or AL)-64	Steel	30'	3 1/8	7 7/8	21'-0"	30 1/4	24 3/16	29 11/16	14 1/8	3 1/16	17 1/16	54	15	6 @ 2,053#		
	GLCSL1000-23 (S or AL)-78	Steel	25'	3 1/8	7 7/8	21'-0"	30 1/4	21 1/16	26 9/16	14 1/8	3 1/16	13 15/16	54	15	8 @ 1,881#		
	GLC1000-23 (S or AL)-83	Steel	6'	3 1/8	7 7/8	21'-0"	30 1/4	10 3/16	15 11/16	14 1/8	3 1/16	-	54	15	34 @ 1,566#		
83'	GLCS1000-23 (S or AL)-83	Steel	20'	3 1/8	7 7/8	21'-0"	30 1/4	18 3/16	23 11/16	14 1/8	3 1/16	11 1/16	54	15	10 @ 1,774#		
	AL1000-23-83	Alum	20'	2 5/8	7 13/16	20'-0"	30 1/4	22 1/16	-	13 1/8	10 1/2	-	53	14 15/16	10 @ 1,656#		
	GLCSLX-23 (S or AL)-94	Steel	30'	3 1/8	7 7/8	21'-0"	30 1/4	24 3/16	29 11/16	14 1/8	3 1/16	17 1/16	54	15	8 @ 2,053#		
103'	GLC1000-23 (S or AL)-103	Steel	6'	3 1/8	7 7/8	21'-0"	30 1/4	10 3/16	15 11/16	14 1/8	3 1/16	-	54	15	42 @ 1,566#		
	GLCS1000-23 (S or AL)-103	Steel	20'	3 1/8	7 7/8	21'-0"	30 1/4	18 3/16	23 11/16	14 1/8	3 1/16	11 1/16	54	15	12 @ 1,774#		
	AL1000-23-103	Alum	20'	2 5/8	7 13/16	20'-0"	30 1/4	22 1/16	-	13 1/8	10 1/2	-	53	14 15/16	12 @ 1,656#		
124'	GLCSL1000-23 (S or AL)-103	Steel	25'	3 1/8	7 7/8	21'-0"	30 1/4	21 1/16	26 9/16	14 1/8	3 1/16	13 15/16	54	15	10 @ 1,881#		
	GLCSLX1000-23 (S or AL)-124	Steel	30'	3 1/8	7 7/8	21'-0"	30 1/4	24 3/16	29 11/16	14 1/8	3 1/16	17 1/16	54	15	10 @ 2,053#		
	GLC1000-28 (S or AL)-23	Steel	6'	3 1/8	7 7/8	25'-0"	24 13/16	12 7/16	15 11/16	17	3 1/16	-	9	21 1/16	10 @ 1,614#		
28'	23'	GLCS1000-28 (S or AL)-23	Steel	20'	3 1/8	7 7/8	25'-0"	24 13/16	20 7/16	23 11/16	17	3 1/16	11 1/16	9	21 1/16	4 @ 1,821#	
		AL1000-28-23	Alum	20'	2 5/8	7 13/16	25'-0"	37	23 5/8	-	15 1/4	12 5/8	-	26	21	4 @ 1,886#	
		GLCSL1000-28 (S or AL)-28	Steel	25'	3 1/8	7 7/8	25'-0"	24 13/16	23 5/16	26 9/16	17	3 1/16	13 15/16	13	21 1/16	4 @ 1,928#	
	33'	GLC1000-28 (S or AL)-33	Steel	6'	3 1/8	7 7/8	25'-0"	24 13/16	12 7/16	15 11/16	17	3 1/16	-	13	21 1/16	14 @ 1,614#	
		GLCS1000-28 (S or AL)-33	Steel	20'	3 1/8	7 7/8	25'-0"	24 13/16	20 7/16	23 11/16	17	3 1/16	11 1/16	13	21 1/16	6 @ 1,821#	
		AL1000-28-33	Alum	20'	2 5/8	7 13/16	25'-0"	37	23 5/8	-	15 1/4	12 5/8	-	30	21	6 @ 1,886#	
	34'	GLCSLX1000-28 (S or AL)-34	Steel	30'	3 1/8	7 7/8	25'-0"	24 13/16	26 7/16	29 11/16	17	3 1/16	17 1/16	13	21 1/16	4 @ 2,100#	
		GLC1000-28 (S or AL)-43	Steel	6'	3 1/8	7 7/8	25'-0"	24 13/16	12 7/16	15 11/16	17	3 1/16	-	19	21 1/16	18 @ 1,614#	
		GLCS1000-28 (S or AL)-43	Steel	20'	3 1/8	7 7/8	25'-0"	24 13/16	20 7/16	23 11/16	17	3 1/16	11 1/16	19	21 1/16	6 @ 1,821#	
	43'	AL1000-28-43	Alum	20'	2 5/8	7 13/16	25'-0"	37	23 5/8	-	15 1/4	12 5/8	-	49	21	6 @ 1,928#	
		GLC1000-28 (S or AL)-53	Steel	6'	3 1/8	7 7/8	25'-0"	24 13/16	12 7/16	15 11/16	17	3 1/16	-	19	21 1/16	22 @ 1,614#	
		GLCS1000-28 (S or AL)-53	Steel	20'	3 1/8	7 7/8	25'-0"	24 13/16	20 7/16	23 11/16	17	3 1/16	11 1/16	19	21 1/16	8 @ 1,821#	
	53'	AL1000-28-53	Alum	20'	2 5/8	7 13/16	25'-0"	37	23 5/8	-	15 1/4	12 5/8	-	53	21	8 @ 1,686#	
		GLCSL1000-28 (S or AL)-53	Steel	25'	3 1/8	7 7/8	25'-0"	24 13/16	23 5/16	26 9/16	17	3 1/16	13 15/16	19	21 1/16	6 @ 1,928#	
GLC1000-28 (S or AL)-63		Steel	6'	3 1/8	7 7/8	25'-0"	24 13/16	12 7/16	15 11/16	17	3 1/16	-	26	21 1/16	26 @ 1,614#		
63'	GLCS1000-28 (S or AL)-63	Steel	20'	3 1/8	7 7/8	25'-0"	24 13/16	20 7/16	23 11/16	17	3 1/16	11 1/16	26	21 1/16	8 @ 1,821#		
	AL1000-28-63	Alum	20'	2 5/8	7 13/16	25'-0"	37	23 5/8	-	15 1/4	12 5/8	-	53	21	8 @ 1,686#		
	GLCSLX1000-28 (S or AL)-64	Steel	30'	3 1/8	7 7/8	25'-0"	37	26 7/16	29 11/16	17	3 1/16	17 1/16	54	21 1/16	6 @ 2,100#		
78'	GLCSL1000-28 (S or AL)-78	Steel	25'	3 1/8	7 7/8	25'-0"	37	23 5/16	26 9/16	17	3 1/16	13 15/16	54	21 1/16	8 @ 1,928#		
	GLC1000-28 (S or AL)-83	Steel	6'	3 1/8	7 7/8	25'-0"	37	12 7/16	15 11/16	17	3 1/16	-	54	21 1/16	34 @ 1,614#		
	GLCS1000-28 (S or AL)-83	Steel	20'	3 1/8	7 7/8	25'-0"	37	20 7/16	23 11/16	17	3 1/16	11 1/16	54	21 1/16	10 @ 1,821#		
83'	AL1000-28-83	Alum	20'	2 5/8	7 13/16	25'-0"	37	23 5/8	-	15 1/4	12 5/8	-	53	21	10 @ 1,686#		
	GLCSLX1000-28 (S or AL)-94	Steel	30'	3 1/8	7 7/8	25'-0"	37	26 7/16	29 11/16	17	3 1/16	17 1/16	54	21 1/16	8 @ 2,100#		
	GLC1000-28 (S or AL)-103	Steel	6'	3 1/8	7 7/8	25'-0"	37	12 7/16	15 11/16	17	3 1/16	-	54	21 1/16	42 @ 1,614#		
103'	GLCS1000-28 (S or AL)-103	Steel	20'	3 1/8	7 7/8	25'-0"	37	20 7/16	23 11/16	17	3 1/16	11 1/16	54	21 1/16	12 @ 1,821#		
	AL1000-28-103	Alum	20'	2 5/8	7 13/16	25'-0"	37	23 5/8	-	15 1/4	12 5/8	-	53	21	12 @ 1,686#		
	GLCSL1000-28 (S or AL)-103	Steel	25'	3 1/8	7 7/8	25'-0"	37	23 5/16	26 9/16	17	3 1/16	13 15/16	54	21 1/16	10 @ 1,928#		
124'	GLCSLX1000-28 (S or AL)-124	Steel	30'	3 1/8	7 7/8	25'-0"	37	26 7/16	29 11/16	17	3 1/16	17 1/16	54	21 1/16	10 @ 2,100#		

*This column provides the total number of support hangers with the corresponding vertical load applied by each support hanger (in pounds) based on the "L1" dimensions shown. Up to a 20" hanger drop will be provided by Gorbel. Additional hanger points or longer drops can be provided at an additional charge.

Gorbel® Ceiling Mounted Work Station Bridge Crane Kits include: bridge, runways, hoist trolley, end trucks, end stops, flat wire festooning, festoon gliders (festoon trolleys on steel runway lengths greater than 63' and all aluminum systems), festoon stack-up section, splice joints and hanger brackets. Sway bracing is required on all systems except flush mounted systems (by others). Sway bracing kits are available but not included in the crane kit. Hoist provided by others.

Dimensions are for reference only and are subject to change without notice.

CEILING MOUNTED WORK STATION BRIDGE CRANES

BRIDGE LENGTH (L)	RUNWAY LENGTH	MODEL NUMBER	TRACK MATL.	BRIDGE								RUNWAY				
				MAX L1	T1 in	L3 in	L4 ft	L6 in	H3 in	H3A in	H4 in	H2 in	H1 in	L7 in	L8 in	HANGERS (See Note)*
34'	28'	GLCSL1000-15 (S or AL)-28	Steel	25'	3 1/8	7 7/8	30'-0"	28 13/16	23 5/16	26 9/16	20 1/8	3 1/16	13 15/16	13	21 1/16	4 @ 2,014#
	33'	GLC1000-15 (S or AL)-33 GLCS1000-15 (S or AL)-33 AL1000-15-33	Steel	6'	3 1/8	7 7/8	30'-0"	28 13/16	12 7/16	15 11/16	20 1/8	3 1/16	-	13	21 1/16	14 @ 1,700#
			Steel	20'	3 1/8	7 7/8	30'-0"	28 13/16	20 7/16	23 11/16	20 1/8	3 1/16	11 1/16	13	21 1/16	6 @ 1,907#
	33'	AL1000-15-33	Alum	20'	2 5/8	7 13/16	30'-0"	43 13/16	23 5/8	-	16 3/4	14 1/8	-	39	21	6 @ 1,732#
			Alum	20'	2 5/8	7 13/16	30'-0"	43 13/16	23 5/8	-	16 3/4	14 1/8	-	49	21	6 @ 1,732#
	34'	GLCSLX1000-15 (S or AL)-34	Steel	30'	3 1/8	7 7/8	30'-0"	28 13/16	26 7/16	29 11/16	20 1/8	3 1/16	17 1/16	13	21 1/16	4 @ 2,187#
			Steel	6'	3 1/8	7 7/8	30'-0"	28 13/16	12 7/16	15 11/16	20 1/8	3 1/16	-	19	21 1/16	18 @ 1,700#
	43'	GLC1000-15 (S or AL)-43 GLCS1000-15 (S or AL)-43 AL1000-15-43	Steel	20'	3 1/8	7 7/8	30'-0"	28 13/16	20 7/16	23 11/16	20 1/8	3 1/16	11 1/16	19	21 1/16	6 @ 1,907#
			Alum	20'	2 5/8	7 13/16	30'-0"	43 13/16	23 5/8	-	16 3/4	14 1/8	-	49	21	6 @ 1,732#
	53'	GLC1000-15 (S or AL)-53 GLCS1000-15 (S or AL)-53 AL1000-15-53	Steel	6'	3 1/8	7 7/8	30'-0"	28 13/16	12 7/16	15 11/16	20 1/8	3 1/16	-	19	21 1/16	22 @ 1,700#
			Steel	20'	3 1/8	7 7/8	30'-0"	28 13/16	20 7/16	23 11/16	20 1/8	3 1/16	11 1/16	19	21 1/16	8 @ 1,907#
	53'	AL1000-15-53	Alum	20'	2 5/8	7 13/16	30'-0"	43 13/16	23 5/8	-	16 3/4	14 1/8	-	53	21	8 @ 1,732#
			Steel	25'	3 1/8	7 7/8	30'-0"	28 13/16	23 5/16	26 9/16	20 1/8	3 1/16	13 15/16	19	21 1/16	6 @ 2,014#
	63'	GLC1000-15 (S or AL)-63 GLCS1000-15 (S or AL)-63 AL1000-15-63	Steel	6'	3 1/8	7 7/8	30'-0"	28 13/16	12 7/16	15 11/16	20 1/8	3 1/16	-	26	21 1/16	26 @ 1,700#
			Steel	20'	3 1/8	7 7/8	30'-0"	28 13/16	20 7/16	23 11/16	20 1/8	3 1/16	11 1/16	26	21 1/16	8 @ 1,907#
	63'	AL1000-15-63	Alum	20'	2 5/8	7 13/16	30'-0"	43 13/16	23 5/8	-	16 3/4	14 1/8	-	53	21	8 @ 1,732#
Steel			30'	3 1/8	7 7/8	30'-0"	43 13/16	26 7/16	29 11/16	20 1/8	3 1/16	17 1/16	54	21 1/16	6 @ 2,187#	
78'	GLCSL1000-15 (S or AL)-78	Steel	25'	3 1/8	7 7/8	30'-0"	43 13/16	23 5/16	26 9/16	20 1/8	3 1/16	13 15/16	54	21 1/16	8 @ 2,014#	
83'	GLC1000-15 (S or AL)-83 GLCS1000-15 (S or AL)-83 AL1000-15-83	Steel	6'	3 1/8	7 7/8	30'-0"	43 13/16	12 7/16	15 11/16	20 1/8	3 1/16	-	54	21 1/16	34 @ 1,700#	
		Steel	20'	3 1/8	7 7/8	30'-0"	43 13/16	20 7/16	23 11/16	20 1/8	3 1/16	11 1/16	54	21 1/16	10 @ 1,907#	
83'	AL1000-15-83	Alum	20'	2 5/8	7 13/16	30'-0"	43 13/16	23 5/8	-	16 3/4	14 1/8	-	53	21	10 @ 1,732#	
		Steel	30'	3 1/8	7 7/8	30'-0"	43 13/16	26 7/16	29 11/16	20 1/8	3 1/16	17 1/16	54	21 1/16	8 @ 2,187#	
94'	GLCSLX-15 (S or AL)-94	Steel	30'	3 1/8	7 7/8	30'-0"	43 13/16	26 7/16	29 11/16	20 1/8	3 1/16	17 1/16	54	21 1/16	8 @ 2,187#	
103'	GLC1000-15 (S or AL)-103 GLCS1000-15 (S or AL)-103 AL1000-15-103	Steel	6'	3 1/8	7 7/8	30'-0"	43 13/16	12 7/16	15 11/16	20 1/8	3 1/16	-	54	21 1/16	42 @ 1,700#	
		Steel	20'	3 1/8	7 7/8	30'-0"	43 13/16	20 7/16	23 11/16	20 1/8	3 1/16	11 1/16	54	21 1/16	12 @ 1,907#	
103'	AL1000-15-103	Alum	20'	2 5/8	7 13/16	30'-0"	43 13/16	23 5/8	-	16 3/4	14 1/8	-	53	21	12 @ 1,732#	
		Steel	25'	3 1/8	7 7/8	30'-0"	43 13/16	23 5/16	26 9/16	20 1/8	3 1/16	13 15/16	54	21 1/16	10 @ 2,014#	
124'	GLCSLX1000-15 (S or AL)-124	Steel	30'	3 1/8	7 7/8	30'-0"	43 13/16	26 7/16	29 11/16	20 1/8	3 1/16	17 1/16	54	21 1/16	10 @ 2,187#	

*This column provides the total number of support hangers with the corresponding vertical load applied by each support hanger (in pounds) based on the "L1" dimensions shown. Up to a 20" hanger drop will be provided by Gorbel. Additional hanger points or longer drops can be provided at an additional charge.

Gorbel® Ceiling Mounted Work Station Bridge Crane Kits include: bridge, runways, hoist trolley, end trucks, end stops, flat wire festooning, festoon gliders (festoon trolleys on steel runway lengths greater than 63' and all aluminum systems), festoon stack-up section, splice joints and hanger brackets. Sway bracing is required on all systems except flush mounted systems (by others). Sway bracing kits are available but not included in the crane kit. Hoist provided by others.

Dimensions are for reference only and are subject to change without notice.

2000# CAPACITY

CEILING MOUNTED WORK STATION BRIDGE CRANES

BRIDGE LENGTH (L)	RUNWAY LENGTH	MODEL NUMBER	TRACK MATL.	BRIDGE										RUNWAY			
				MAX L1	T1 in	L3 in	L4 ft	L6 in	H3 in	H3A in	H4 in	H2 in	H1 in	L7 in	L8 in	HANGERS (See Note)*	
8'	11'-6"	GLC2000-8 (S or AL)-11.5	Steel	6'	2 7/8	8 1/16	6'-6"	11	11 1/8	15 9/16	8 7/8	3 1/2	-	9	16 1/16	6 @ 2,902#	
		GLCS2000-8 (S or AL)-11.5	Steel	20'	2 7/8	8 1/16	6'-6"	11	19 5/8	24 1/16	8 7/8	3 1/2	12	9	16 1/16	4 @ 3,185#	
		AL2000-8-11.5	Alum	20'	2 3/8	8	6'-6"	13 11/16	25 5/16	-	8 1/16	5 5/8	-	13	16 15/16	4 @ 3,026#	
	23'	GLC2000-8 (S or AL)-23	Steel	6'	2 7/8	8 1/16	6'-6"	11	11 1/8	15 9/16	8 7/8	3 1/2	-	9	16 1/16	10 @ 2,902#	
		GLCS2000-8 (S or AL)-23	Steel	20'	2 7/8	8 1/16	6'-6"	11	19 5/8	24 1/16	8 7/8	3 1/2	12	9	16 1/16	4 @ 3,185#	
		AL2000-8-23	Alum	20'	2 3/8	8	6'-6"	13 11/16	25 5/16	-	8 1/16	5 5/8	-	26	16 15/16	4 @ 3,026#	
	28'	GLCSL2000-8 (S or AL)-28	Steel	25'	2 7/8	8 1/16	6'-6"	11	23	27 7/16	8 7/8	3 1/2	15 3/8	13	16 1/16	4 @ 3,331#	
		GLC2000-8 (S or AL)-33	Steel	6'	2 7/8	8 1/16	6'-6"	11	11 1/8	15 9/16	8 7/8	3 1/2	-	13	16 1/16	14 @ 2,902#	
	33'	GLCS2000-8 (S or AL)-33	Steel	20'	2 7/8	8 1/16	6'-6"	11	19 5/8	24 1/16	8 7/8	3 1/2	12	13	16 1/16	6 @ 3,185#	
		AL2000-8-33	Alum	20'	2 3/8	8	6'-6"	13 11/16	25 5/16	-	8 1/16	5 5/8	-	39	16 15/16	6 @ 3,026#	
	34'	GLCSLX2000-8 (S or AL)-34	Steel	30'	2 7/8	8 1/16	6'-6"	11	25 5/8	30 1/16	8 7/8	3 1/2	18	13	16 1/16	4 @ 3,451#	
		GLC2000-8 (S or AL)-43	Steel	6'	2 7/8	8 1/16	6'-6"	11	11 1/8	15 9/16	8 7/8	3 1/2	-	19	16 1/16	18 @ 2,902#	
	43'	GLCS2000-8 (S or AL)-43	Steel	20'	2 7/8	8 1/16	6'-6"	11	19 5/8	24 1/16	8 7/8	3 1/2	12	19	16 1/16	6 @ 3,185#	
		AL2000-8-43	Alum	20'	2 3/8	8	6'-6"	13 11/16	25 5/16	-	8 1/16	5 5/8	-	49	16 15/16	6 @ 3,026#	
	53'	GLC2000-8 (S or AL)-53	Steel	6'	2 7/8	8 1/16	6'-6"	11	11 1/8	15 9/16	8 7/8	3 1/2	-	19	16 1/16	22 @ 2,902#	
		GLCS2000-8 (S or AL)-53	Steel	20'	2 7/8	8 1/16	6'-6"	11	19 5/8	24 1/16	8 7/8	3 1/2	12	19	16 1/16	8 @ 3,185#	
	63'	AL2000-8-53	Alum	20'	2 3/8	8	6'-6"	13 11/16	25 5/16	-	8 1/16	5 5/8	-	53	16 15/16	8 @ 3,026#	
		GLCSL2000-8 (S or AL)-53	Steel	25'	2 7/8	8 1/16	6'-6"	11	23	27 7/16	8 7/8	3 1/2	15 3/8	19	16 1/16	6 @ 3,331#	
	64'	GLC2000-8 (S or AL)-63	Steel	6'	2 7/8	8 1/16	6'-6"	11	11 1/8	15 9/16	8 7/8	3 1/2	-	26	16 1/16	26 @ 2,902#	
		GLCS2000-8 (S or AL)-63	Steel	20'	2 7/8	8 1/16	6'-6"	11	19 5/8	24 1/16	8 7/8	3 1/2	12	26	16 1/16	8 @ 3,185#	
78'	AL2000-8-63	Alum	20'	2 3/8	8	6'-6"	13 11/16	25 5/16	-	8 1/16	5 5/8	-	53	16 15/16	8 @ 3,026#		
	GLCSLX2000-8 (S or AL)-64	Steel	30'	2 7/8	8 1/16	6'-6"	13 11/16	25 5/8	30 1/16	8 7/8	3 1/2	18	54	16 1/16	6 @ 3,451#		
83'	GLCSL2000-8 (S or AL)-78	Steel	25'	2 7/8	8 1/16	6'-6"	13 11/16	23	27 7/16	8 7/8	3 1/2	15 3/8	54	16 1/16	8 @ 3,331#		
	GLC2000-8 (S or AL)-83	Steel	6'	2 7/8	8 1/16	6'-6"	13 11/16	11 1/8	15 9/16	8 7/8	3 1/2	-	54	16 1/16	34 @ 2,902#		
94'	GLCS2000-8 (S or AL)-83	Steel	20'	2 7/8	8 1/16	6'-6"	13 11/16	19 5/8	24 1/16	8 7/8	3 1/2	12	54	16 1/16	10 @ 3,185#		
	AL2000-8-83	Alum	20'	2 3/8	8	6'-6"	13 11/16	25 5/16	-	8 1/16	5 5/8	-	53	16 15/16	10 @ 3,026#		
103'	GLCSLX-8 (S or AL)-94	Steel	30'	2 7/8	8 1/16	6'-6"	13 11/16	25 5/8	30 1/16	8 7/8	3 1/2	18	54	16 1/16	8 @ 3,451#		
	GLC2000-8 (S or AL)-103	Steel	6'	2 7/8	8 1/16	6'-6"	13 11/16	11 1/8	15 9/16	8 7/8	3 1/2	-	54	16 1/16	42 @ 2,902#		
124'	GLCS2000-8 (S or AL)-103	Steel	20'	2 7/8	8 1/16	6'-6"	13 11/16	19 5/8	24 1/16	8 7/8	3 1/2	12	54	16 1/16	12 @ 3,185#		
	AL2000-8-103	Alum	20'	2 3/8	8	6'-6"	13 11/16	25 5/16	-	8 1/16	5 5/8	-	53	16 15/16	12 @ 3,026#		
124'	GLCSL2000-8 (S or AL)-103	Steel	25'	2 7/8	8 1/16	6'-6"	13 11/16	23	27 7/16	8 7/8	3 1/2	15 3/8	54	16 1/16	10 @ 3,331#		
	GLCSLX2000-8 (S or AL)-124	Steel	30'	2 7/8	8 1/16	6'-6"	13 11/16	25 5/8	30 1/16	8 7/8	3 1/2	18	54	16 1/16	10 @ 3,451#		
10'	11'-6"	GLC2000-10 (S or AL)-11.5	Steel	6'	2 7/8	8 1/16	8'-0"	13	11 1/8	15 9/16	8 7/8	3 1/2	-	9	16 1/16	6 @ 2,913#	
		GLCS2000-10 (S or AL)-11.5	Steel	20'	2 7/8	8 1/16	8'-0"	13	19 5/8	24 1/16	8 7/8	3 1/2	12	9	16 1/16	4 @ 3,196#	
		AL2000-10-11.5	Alum	20'	2 3/8	8	8'-0"	17 1/16	25 5/16	-	13 3/8	11	-	13	16 15/16	4 @ 3,046#	
	23'	GLC2000-10 (S or AL)-23	Steel	6'	2 7/8	8 1/16	8'-0"	13	11 1/8	15 9/16	8 7/8	3 1/2	-	9	16 1/16	10 @ 2,913#	
		GLCS2000-10 (S or AL)-23	Steel	20'	2 7/8	8 1/16	8'-0"	13	19 5/8	24 1/16	8 7/8	3 1/2	12	9	16 1/16	4 @ 3,196#	
		AL2000-10-23	Alum	20'	2 3/8	8	8'-0"	17 1/16	25 5/16	-	13 3/8	11	-	26	16 15/16	4 @ 3,046#	
	28'	GLCSL2000-10 (S or AL)-28	Steel	25'	2 7/8	8 1/16	8'-0"	13	23	27 7/16	8 7/8	3 1/2	15 3/8	13	16 1/16	4 @ 3,342#	
		GLC2000-10 (S or AL)-33	Steel	6'	2 7/8	8 1/16	8'-0"	13	11 1/8	15 9/16	8 7/8	3 1/2	-	13	16 1/16	14 @ 2,913#	
	33'	GLCS2000-10 (S or AL)-33	Steel	20'	2 7/8	8 1/16	8'-0"	13	19 5/8	24 1/16	8 7/8	3 1/2	12	13	16 1/16	6 @ 3,196#	
		AL2000-10-33	Alum	20'	2 3/8	8	8'-0"	17 1/16	25 5/16	-	13 3/8	11	-	39	16 15/16	6 @ 3,046#	
	34'	GLCSLX2000-10 (S or AL)-34	Steel	30'	2 7/8	8 1/16	8'-0"	13	25 5/8	30 1/16	8 7/8	3 1/2	18	13	16 1/16	4 @ 3,462#	
		GLC2000-10 (S or AL)-43	Steel	6'	2 7/8	8 1/16	8'-0"	13	11 1/8	15 9/16	8 7/8	3 1/2	-	19	16 1/16	18 @ 2,913#	
	43'	GLCS2000-10 (S or AL)-43	Steel	20'	2 7/8	8 1/16	8'-0"	13	19 5/8	24 1/16	8 7/8	3 1/2	12	19	16 1/16	6 @ 3,196#	
		AL2000-10-43	Alum	20'	2 3/8	8	8'-0"	17 1/16	25 5/16	-	13 3/8	11	-	49	16 15/16	6 @ 3,046#	
	53'	GLC2000-10 (S or AL)-53	Steel	6'	2 7/8	8 1/16	8'-0"	13	11 1/8	15 9/16	8 7/8	3 1/2	-	19	16 1/16	22 @ 2,913#	
		GLCS2000-10 (S or AL)-53	Steel	20'	2 7/8	8 1/16	8'-0"	13	19 5/8	24 1/16	8 7/8	3 1/2	12	19	16 1/16	8 @ 3,196#	
	63'	AL2000-10-53	Alum	20'	2 3/8	8	8'-0"	17 1/16	25 5/16	-	13 3/8	11	-	53	16 15/16	8 @ 3,046#	
		GLCSL2000-10 (S or AL)-53	Steel	25'	2 7/8	8 1/16	8'-0"	13	23	27 7/16	8 7/8	3 1/2	15 3/8	19	16 1/16	6 @ 3,342#	
	64'	GLC2000-10 (S or AL)-63	Steel	6'	2 7/8	8 1/16	8'-0"	13	11 1/8	15 9/16	8 7/8	3 1/2	-	26	16 1/16	26 @ 2,913#	
		GLCS2000-10 (S or AL)-63	Steel	20'	2 7/8	8 1/16	8'-0"	13	19 5/8	24 1/16	8 7/8	3 1/2	12	26	16 1/16	8 @ 3,196#	
78'	AL2000-10-63	Alum	20'	2 3/8	8	8'-0"	17 1/16	25 5/16	-	13 3/8	11	-	53	16 15/16	8 @ 3,046#		
	GLCSLX2000-10 (S or AL)-64	Steel	30'	2 7/8	8 1/16	8'-0"	17 1/16	25 5/8	30 1/16	8 7/8	3 1/2	18	54	16 1/16	6 @ 3,462#		
83'	GLCSL2000-10 (S or AL)-78	Steel	25'	2 7/8	8 1/16	8'-0"	17 1/16	23	27 7/16	8 7/8	3 1/2	15 3/8	54	16 1/16	8 @ 3,342#		
	GLC2000-10 (S or AL)-83	Steel	6'	2 7/8	8 1/16	8'-0"	17 1/16	11 1/8	15 9/16	8 7/8	3 1/2	-	54	16 1/16	34 @ 2,913#		
94'	GLCS2000-10 (S or AL)-83	Steel	20'	2 7/8	8 1/16	8'-0"	17 1/16	19 5/8	24 1/16	8 7/8	3 1/2	12	54	16 1/16	10 @ 3,196#		
	AL2000-10-83	Alum	20'	2 3/8	8	8'-0"	17 1/16	25 5/16	-	13 3/8	11	-	53	16 15/16	10 @ 3,046#		
103'	GLCSLX2000-10 (S or AL)-94	Steel	30'	2 7/8	8 1/16	8'-0"	17 1/16	25 5/8	30 1/16	8 7/8	3 1/2	18	54	16 1/16	8 @ 3,462#		
	GLC2000-10 (S or AL)-103	Steel	6'	2 7/8	8 1/16	8'-0"	17 1/16	11 1/8	15 9/16	8 7/8	3 1/2	-	54	16 1/16	42 @ 2,913#		
124'	GLCS2000-10 (S or AL)-103	Steel	20'	2 7/8	8 1/16	8'-0"	17 1/16	19 5/8	24 1/16	8 7/8	3 1/2	12	54	16 1/16	12 @ 3,196#		
	AL2000-10-103	Alum	20'	2 3/8	8	8'-0"	17 1/16	25 5/16	-	13 3/8	11	-	53	16 15/16	12 @ 3,046#		
124'	GLCSL2000-10 (S or AL)-103	Steel	25'	2 7/8	8 1/16	8'-0"	17 1/16	23	27 7/16	8 7/8	3 1/2	15 3/8	54	16 1/16	10 @ 3,342#		
	GLCSLX2000-10 (S or AL)-124	Steel	30'	2 7/8	8 1/16	8'-0"	17 1/16	25 5/8	30 1/16	8 7/8	3 1/2	18	54	16 1/16	10 @ 3,462#		

*This column provides the total number of support hangers with the corresponding vertical load applied by each support hanger (in pounds) based on the "L1" dimensions shown. Up to a 20' hanger drop will be provided by Gorbel. Additional hanger points or longer drops can be provided at an additional charge.

Gorbel® Ceiling Mounted Work Station Bridge Crane Kits include: bridge, runways, hoist trolley, end trucks, end stops, flat wire festooning, festoon gliders (festoon trolleys on steel runway lengths greater than 63' and all aluminum systems), festoon stack-up section, splice joints and hanger brackets. Sway bracing is required on all systems except flush mounted systems (by others). Sway bracing kits are available but not included in the crane kit. Hoist provided by others.

Dimensions are for reference only and are subject to change without notice.

CEILING MOUNTED WORK STATION BRIDGE CRANES

CEILING MOUNTED WORK STATION BRIDGE CRANES

BRIDGE LENGTH (L)	RUNWAY LENGTH	MODEL NUMBER	TRACK MATL.	BRIDGE								RUNWAY				
				MAX L1	T1 in	L3 in	L4 ft	L6 in	H3 in	H3A in	H4 in	H2 in	H1 in	L7 in	L8 in	HANGERS (See Note)*
15'	23'	GLC2000-15 (S or AL)-23	Steel	6'	2 7/8	8 1/16	13'-0"	17	11 1/8	15 9/16	14 7/8	3 1/2	-	9	16 1/16	10 @ 2,965#
		GLCS2000-15 (S or AL)-23	Steel	20'	2 7/8	8 1/16	13'-0"	17	19 5/8	24 1/16	14 7/8	3 1/2	12	9	16 1/16	4 @ 3,248#
		AL2000-15-23	Alum	20'	2 3/8	8	13'-0"	23 3/4	25 5/16	-	13 3/8	11	-	26	16 15/16	4 @ 3,073#
	28'	GLCSL2000-15 (S or AL)-28	Steel	25'	2 7/8	8 1/16	13'-0"	17	23	27 7/16	14 7/8	3 1/2	15 3/8	13	16 1/16	4 @ 3,394#
		GLC2000-15 (S or AL)-33	Steel	6'	2 7/8	8 1/16	13'-0"	17	11 1/8	15 9/16	14 7/8	3 1/2	-	13	16 1/16	14 @ 2,965#
	33'	GLCS2000-15 (S or AL)-33	Steel	20'	2 7/8	8 1/16	13'-0"	17	19 5/8	24 1/16	14 7/8	3 1/2	12	13	16 1/16	6 @ 3,248#
		AL2000-15-33	Alum	20'	2 3/8	8	13'-0"	23 3/4	25 5/16	-	13 3/8	11	-	39	16 15/16	6 @ 3,073#
		GLCSLX2000-15 (S or AL)-34	Steel	30'	2 7/8	8 1/16	13'-0"	17	25 5/8	30 1/16	14 7/8	3 1/2	18	13	16 1/16	4 @ 3,514#
	43'	GLC2000-15 (S or AL)-43	Steel	6'	2 7/8	8 1/16	13'-0"	17	11 1/8	15 9/16	14 7/8	3 1/2	-	19	16 1/16	18 @ 2,965#
		GLCS2000-15 (S or AL)-43	Steel	20'	2 7/8	8 1/16	13'-0"	17	19 5/8	24 1/16	14 7/8	3 1/2	12	19	16 1/16	6 @ 3,248#
		AL2000-15-43	Alum	20'	2 3/8	8	13'-0"	23 3/4	25 5/16	-	13 3/8	11	-	49	16 15/16	6 @ 3,073#
	53'	GLC2000-15 (S or AL)-53	Steel	6'	2 7/8	8 1/16	13'-0"	17	11 1/8	15 9/16	14 7/8	3 1/2	-	19	16 1/16	22 @ 2,965#
		GLCS2000-15 (S or AL)-53	Steel	20'	2 7/8	8 1/16	13'-0"	17	19 5/8	24 1/16	14 7/8	3 1/2	12	19	16 1/16	8 @ 3,248#
		AL2000-15-53	Alum	20'	2 3/8	8	13'-0"	23 3/4	25 5/16	-	13 3/8	11	-	53	16 15/16	8 @ 3,073#
GLCSL2000-15 (S or AL)-53		Steel	25'	2 7/8	8 1/16	13'-0"	17	23	27 7/16	14 7/8	3 1/2	15 3/8	19	16 1/16	6 @ 3,394#	
GLC2000-15 (S or AL)-63		Steel	6'	2 7/8	8 1/16	13'-0"	17	11 1/8	15 9/16	14 7/8	3 1/2	-	26	16 1/16	26 @ 2,965#	
GLCS2000-15 (S or AL)-63		Steel	20'	2 7/8	8 1/16	13'-0"	17	19 5/8	24 1/16	14 7/8	3 1/2	12	26	16 1/16	8 @ 3,248#	
63'	AL2000-15-63	Alum	20'	2 3/8	8	13'-0"	23 3/4	25 5/16	-	13 3/8	11	-	53	16 15/16	8 @ 3,073#	
	GLCSLX2000-15 (S or AL)-64	Steel	30'	2 7/8	8 1/16	13'-0"	23 3/4	25 5/8	30 1/16	14 7/8	3 1/2	18	54	16 1/16	6 @ 3,514#	
78'	GLCSL2000-15 (S or AL)-78	Steel	25'	2 7/8	8 1/16	13'-0"	23 3/4	23	27 7/16	14 7/8	3 1/2	15 3/8	54	16 1/16	8 @ 3,394#	
	GLC2000-15 (S or AL)-83	Steel	6'	2 7/8	8 1/16	13'-0"	23 3/4	11 1/8	15 9/16	14 7/8	3 1/2	-	54	16 1/16	34 @ 2,965#	
83'	GLCS2000-15 (S or AL)-83	Steel	20'	2 7/8	8 1/16	13'-0"	23 3/4	19 5/8	24 1/16	14 7/8	3 1/2	12	54	16 1/16	10 @ 3,248#	
	AL2000-15-83	Alum	20'	2 3/8	8	13'-0"	23 3/4	25 5/16	-	13 3/8	11	-	53	16 15/16	10 @ 3,073#	
	GLCSLX-15 (S or AL)-94	Steel	30'	2 7/8	8 1/16	13'-0"	23 3/4	25 5/8	30 1/16	14 7/8	3 1/2	18	54	16 1/16	8 @ 3,514#	
103'	GLC2000-15 (S or AL)-103	Steel	6'	2 7/8	8 1/16	13'-0"	23 3/4	11 1/8	15 9/16	14 7/8	3 1/2	-	54	16 1/16	42 @ 2,965#	
	GLCS2000-15 (S or AL)-103	Steel	20'	2 7/8	8 1/16	13'-0"	23 3/4	19 5/8	24 1/16	14 7/8	3 1/2	12	54	16 1/16	12 @ 3,248#	
	AL2000-15-103	Alum	20'	2 3/8	8	13'-0"	23 3/4	25 5/16	-	13 3/8	11	-	53	16 15/16	12 @ 3,073#	
	GLCSL2000-15 (S or AL)-103	Steel	25'	2 7/8	8 1/16	13'-0"	23 3/4	23	27 7/16	14 7/8	3 1/2	15 3/8	54	16 1/16	10 @ 3,394#	
124'	GLCSLX2000-15 (S or AL)-124	Steel	30'	2 7/8	8 1/16	13'-0"	23 3/4	25 5/8	30 1/16	14 7/8	3 1/2	18	54	16 1/16	10 @ 3,514#	
20'	23'	GLC2000-20 (S or AL)-23	Steel	6'	2 7/8	8 1/16	18'-0"	19	11 1/8	15 9/16	14 7/8	3 1/2	-	9	16 1/16	10 @ 3,007#
		GLCS2000-20 (S or AL)-23	Steel	20'	2 7/8	8 1/16	18'-0"	19	19 5/8	24 1/16	14 7/8	3 1/2	12	9	16 1/16	4 @ 3,290#
		AL2000-20-23	Alum	20'	2 3/8	8	18'-0"	27 1/8	25 5/16	-	15 1/2	13 1/8	-	26	16 15/16	4 @ 3,105#
	28'	GLCSL2000-20 (S or AL)-28	Steel	25'	2 7/8	8 1/16	18'-0"	19	23	27 7/16	14 7/8	3 1/2	15 3/8	13	16 1/16	4 @ 3,437#
		GLC2000-20 (S or AL)-33	Steel	6'	2 7/8	8 1/16	18'-0"	19	11 1/8	15 9/16	14 7/8	3 1/2	-	13	16 1/16	14 @ 3,007#
	33'	GLCS2000-20 (S or AL)-33	Steel	20'	2 7/8	8 1/16	18'-0"	19	19 5/8	24 1/16	14 7/8	3 1/2	12	13	16 1/16	6 @ 3,290#
		AL2000-20-33	Alum	20'	2 3/8	8	18'-0"	27 1/8	25 5/16	-	15 1/2	13 1/8	-	39	16 15/16	6 @ 3,105#
		GLCSLX2000-20 (S or AL)-34	Steel	30'	2 7/8	8 1/16	18'-0"	19	25 5/8	30 1/16	14 7/8	3 1/2	18	13	16 1/16	4 @ 3,556#
	43'	GLC2000-20 (S or AL)-43	Steel	6'	2 7/8	8 1/16	18'-0"	19	11 1/8	15 9/16	14 7/8	3 1/2	-	19	16 1/16	18 @ 3,007#
		GLCS2000-20 (S or AL)-43	Steel	20'	2 7/8	8 1/16	18'-0"	19	19 5/8	24 1/16	14 7/8	3 1/2	12	19	16 1/16	6 @ 3,290#
		AL2000-20-43	Alum	20'	2 3/8	8	18'-0"	27 1/8	25 5/16	-	15 1/2	13 1/8	-	49	16 15/16	6 @ 3,105#
	53'	GLC2000-20 (S or AL)-53	Steel	6'	2 7/8	8 1/16	18'-0"	19	11 1/8	15 9/16	14 7/8	3 1/2	-	19	16 1/16	22 @ 3,007#
		GLCS2000-20 (S or AL)-53	Steel	20'	2 7/8	8 1/16	18'-0"	19	19 5/8	24 1/16	14 7/8	3 1/2	12	19	16 1/16	8 @ 3,290#
		AL2000-20-53	Alum	20'	2 3/8	8	18'-0"	27 1/8	25 5/16	-	15 1/2	13 1/8	-	53	16 15/16	8 @ 3,105#
		GLCSL2000-20 (S or AL)-53	Steel	25'	2 7/8	8 1/16	18'-0"	19	23	27 7/16	14 7/8	3 1/2	15 3/8	19	16 1/16	6 @ 3,437#
	63'	GLC2000-20 (S or AL)-63	Steel	6'	2 7/8	8 1/16	18'-0"	19	11 1/8	15 9/16	14 7/8	3 1/2	-	26	16 1/16	26 @ 3,007#
		GLCS2000-20 (S or AL)-63	Steel	20'	2 7/8	8 1/16	18'-0"	19	19 5/8	24 1/16	14 7/8	3 1/2	12	26	16 1/16	8 @ 3,290#
		AL2000-20-63	Alum	20'	2 3/8	8	18'-0"	27 1/8	25 5/16	-	15 1/2	13 1/8	-	53	16 15/16	8 @ 3,105#
64'	GLCSLX2000-20 (S or AL)-64	Steel	30'	2 7/8	8 1/16	18'-0"	27 1/8	25 5/8	30 1/16	14 7/8	3 1/2	18	54	16 1/16	6 @ 3,556#	
	GLCSL2000-20 (S or AL)-78	Steel	25'	2 7/8	8 1/16	18'-0"	27 1/8	23	27 7/16	14 7/8	3 1/2	15 3/8	54	16 1/16	8 @ 3,437#	
83'	GLC2000-20 (S or AL)-83	Steel	6'	2 7/8	8 1/16	18'-0"	27 1/8	11 1/8	15 9/16	14 7/8	3 1/2	-	54	16 1/16	34 @ 3,007#	
	GLCS2000-20 (S or AL)-83	Steel	20'	2 7/8	8 1/16	18'-0"	27 1/8	19 5/8	24 1/16	14 7/8	3 1/2	12	54	16 1/16	10 @ 3,290#	
	AL2000-20-83	Alum	20'	2 3/8	8	18'-0"	27 1/8	25 5/16	-	15 1/2	13 1/8	-	53	16 15/16	10 @ 3,105#	
94'	GLCSLX2000-20 (S or AL)-94	Steel	30'	2 7/8	8 1/16	18'-0"	27 1/8	25 5/8	30 1/16	14 7/8	3 1/2	18	54	16 1/16	8 @ 3,556#	
	GLC2000-20 (S or AL)-103	Steel	6'	2 7/8	8 1/16	18'-0"	27 1/8	11 1/8	15 9/16	14 7/8	3 1/2	-	54	16 1/16	42 @ 3,007#	
103'	GLCS2000-20 (S or AL)-103	Steel	20'	2 7/8	8 1/16	18'-0"	27 1/8	19 5/8	24 1/16	14 7/8	3 1/2	12	54	16 1/16	12 @ 3,290#	
	AL2000-20-103	Alum	20'	2 3/8	8	18'-0"	27 1/8	25 5/16	-	15 1/2	13 1/8	-	53	16 15/16	12 @ 3,105#	
	GLCSL2000-20 (S or AL)-103	Steel	25'	2 7/8	8 1/16	18'-0"	27 1/8	23	27 7/16	14 7/8	3 1/2	15 3/8	54	16 1/16	10 @ 3,437#	
124'	GLCSLX2000-20 (S or AL)-124	Steel	30'	2 7/8	8 1/16	18'-0"	27 1/8	25 5/8	30 1/16	14 7/8	3 1/2	18	54	16 1/16	10 @ 3,556#	

*This column provides the total number of support hangers with the corresponding vertical load applied by each support hanger (in pounds) based on the "L1" dimensions shown. Up to a 20" hanger drop will be provided by Gorbel. Additional hanger points or longer drops can be provided at an additional charge.

Gorbel® Ceiling Mounted Work Station Bridge Crane Kits include: bridge, runways, hoist trolley, end trucks, end stops, flat wire festooning, festoon gliders (festoon trolleys on steel runway lengths greater than 63' and all aluminum systems), festoon stack-up section, splice joints and hanger brackets. Sway bracing is required on all systems except flush mounted systems (by others). Sway bracing kits are available but not included in the crane kit. Hoist provided by others.

Dimensions are for reference only and are subject to change without notice.

2000# CAPACITY

CEILING MOUNTED WORK STATION BRIDGE CRANES

BRIDGE LENGTH (L)	RUNWAY LENGTH	MODEL NUMBER	TRACK MATL.	BRIDGE								RUNWAY				
				MAX L1	T1 in	L3 in	L4 ft	L6 in	H3 in	H3A in	H4 in	H2 in	H1 in	L7 in	L8 in	HANGERS (See Note)*
23'	23'	GLC2000-23 (S or AL)-23	Steel	6'	2 7/8	8 1/16	21'-0"	21	11 1/8	17 9/16	14 7/8	3 1/2	-	9	16 1/16	10 @ 3,033#
		GLCS2000-23 (S or AL)-23	Steel	20'	2 7/8	8 1/16	21'-0"	21	19 5/8	26 1/6	14 7/8	3 1/2	12	9	16 1/16	4 @ 3,316#
		AL2000-23-23	Alum	20'	2 3/8	8	20'-0"	30 7/16	25 5/16	-	15 1/2	13 1/8	-	26	16 15/16	4 @ 3,116#
	28'	GLCSL2000-23 (S or AL)-28	Steel	25'	2 7/8	8 1/16	21'-0"	21	23	29 7/16	14 7/8	3 1/2	15 3/8	13	16 1/16	4 @ 3,462#
		GLC2000-23 (S or AL)-33	Steel	6'	2 7/8	8 1/16	21'-0"	21	11 1/8	17 9/16	14 7/8	3 1/2	-	13	16 1/16	14 @ 3,033#
		GLCS2000-23 (S or AL)-33	Steel	20'	2 7/8	8 1/16	21'-0"	21	19 5/8	26 1/6	14 7/8	3 1/2	12	13	16 1/16	6 @ 3,316#
	33'	AL2000-23-33	Alum	20'	2 3/8	8	20'-0"	30 7/16	25 5/16	-	15 1/2	13 1/8	-	39	16 15/16	6 @ 3,116#
		GLCSLX2000-23 (S or AL)-34	Steel	30'	2 7/8	8 1/16	21'-0"	21	25 5/8	32 1/16	14 7/8	3 1/2	18	13	16 1/16	4 @ 3,582#
		GLC2000-23 (S or AL)-43	Steel	6'	2 7/8	8 1/16	21'-0"	21	11 1/8	17 9/16	14 7/8	3 1/2	-	19	16 1/16	18 @ 3,033#
	43'	GLCS2000-23 (S or AL)-43	Steel	20'	2 7/8	8 1/16	21'-0"	21	19 5/8	26 1/6	14 7/8	3 1/2	12	19	16 1/16	6 @ 3,316#
		AL2000-23-43	Alum	20'	2 3/8	8	20'-0"	30 7/16	25 5/16	-	15 1/2	13 1/8	-	49	16 15/16	6 @ 3,116#
		GLC2000-23 (S or AL)-53	Steel	6'	2 7/8	8 1/16	21'-0"	21	11 1/8	17 9/16	14 7/8	3 1/2	-	19	16 1/16	22 @ 3,033#
	53'	GLCS2000-23 (S or AL)-53	Steel	20'	2 7/8	8 1/16	21'-0"	21	19 5/8	26 1/6	14 7/8	3 1/2	12	19	16 1/16	8 @ 3,316#
		AL2000-23-53	Alum	20'	2 3/8	8	20'-0"	30 7/16	25 5/16	-	15 1/2	13 1/8	-	53	16 15/16	8 @ 3,116#
GLCSL2000-23 (S or AL)-53		Steel	25'	2 7/8	8 1/16	21'-0"	21	23	29 7/16	14 7/8	3 1/2	15 3/8	19	16 1/16	6 @ 3,462#	
63'	GLC2000-23 (S or AL)-63	Steel	6'	2 7/8	8 1/16	21'-0"	21	11 1/8	17 9/16	14 7/8	3 1/2	-	26	16 1/16	26 @ 3,033#	
	GLCS2000-23 (S or AL)-63	Steel	20'	2 7/8	8 1/16	21'-0"	21	19 5/8	26 1/6	14 7/8	3 1/2	12	26	16 1/16	8 @ 3,316#	
	AL2000-23-63	Alum	20'	2 3/8	8	20'-0"	30 7/16	25 5/16	-	15 1/2	13 1/8	-	53	16 15/16	8 @ 3,116#	
64'	GLCSLX2000-23 (S or AL)-64	Steel	30'	2 7/8	8 1/16	21'-0"	30 7/16	25 5/8	32 1/16	14 7/8	3 1/2	18	54	16 1/16	6 @ 3,582#	
	GLCSL2000-23 (S or AL)-78	Steel	25'	2 7/8	8 1/16	21'-0"	30 7/16	23	29 7/16	14 7/8	3 1/2	15 3/8	54	16 1/16	8 @ 3,462#	
	GLC2000-23 (S or AL)-83	Steel	6'	2 7/8	8 1/16	21'-0"	30 7/16	11 1/8	17 9/16	14 7/8	3 1/2	-	54	16 1/16	34 @ 3,033#	
83'	GLCS2000-23 (S or AL)-83	Steel	20'	2 7/8	8 1/16	21'-0"	30 7/16	19 5/8	26 1/6	14 7/8	3 1/2	12	54	16 1/16	10 @ 3,316#	
	AL2000-23-83	Alum	20'	2 3/8	8	20'-0"	30 7/16	25 5/16	-	15 1/2	13 1/8	-	53	16 15/16	10 @ 3,116#	
	GLCSLX-23 (S or AL)-94	Steel	30'	2 7/8	8 1/16	21'-0"	30 7/16	25 5/8	32 1/16	14 7/8	3 1/2	18	54	16 1/16	8 @ 3,582#	
103'	GLC2000-23 (S or AL)-103	Steel	6'	2 7/8	8 1/16	21'-0"	30 7/16	11 1/8	17 9/16	14 7/8	3 1/2	-	54	16 1/16	42 @ 3,033#	
	GLCS2000-23 (S or AL)-103	Steel	20'	2 7/8	8 1/16	21'-0"	30 7/16	19 5/8	26 1/6	14 7/8	3 1/2	12	54	16 1/16	12 @ 3,316#	
	AL2000-23-103	Alum	20'	2 3/8	8	20'-0"	30 7/16	25 5/16	-	15 1/2	13 1/8	-	53	16 15/16	12 @ 3,116#	
124'	GLCSL2000-23 (S or AL)-103	Steel	25'	2 7/8	8 1/16	21'-0"	30 7/16	23	29 7/16	14 7/8	3 1/2	15 3/8	54	16 1/16	10 @ 3,462#	
	GLCSLX2000-23 (S or AL)-124	Steel	30'	2 7/8	8 1/16	21'-0"	30 7/16	25 5/8	32 1/16	14 7/8	3 1/2	18	54	16 1/16	10 @ 3,582#	
	GLC2000-28 (S or AL)-23	Steel	6'	2 7/8	8 1/16	25'-0"	25	14 7/16	17 9/16	18 1/4	3 1/2	-	9	25 7/8	10 @ 3,097#	
28'	23'	GLCS2000-28 (S or AL)-23	Steel	20'	2 7/8	8 1/16	25'-0"	25	22 15/16	26 1/6	18 1/4	3 1/2	12	9	25 7/8	4 @ 3,380#
		AL2000-28-23	Alum	20'	2 3/8	8	25'-0"	37 3/16	27 1/2	-	17	14 5/8	-	26	21	4 @ 3,162#
		GLCSL2000-28 (S or AL)-28	Steel	25'	2 7/8	8 1/16	25'-0"	25	26 5/16	29 7/16	18 1/4	3 1/2	15 3/8	13	25 7/8	4 @ 3,527#
	33'	GLC2000-28 (S or AL)-33	Steel	6'	2 7/8	8 1/16	25'-0"	25	14 7/16	17 9/16	18 1/4	3 1/2	-	13	25 7/8	14 @ 3,097#
		GLCS2000-28 (S or AL)-33	Steel	20'	2 7/8	8 1/16	25'-0"	25	22 15/16	26 1/6	18 1/4	3 1/2	12	13	25 7/8	6 @ 3,380#
		AL2000-28-33	Alum	20'	2 3/8	8	25'-0"	37 3/16	27 1/2	-	17	14 5/8	-	30	21	6 @ 3,162#
	34'	GLCSLX2000-28 (S or AL)-34	Steel	30'	2 7/8	8 1/16	25'-0"	25	28 15/16	32 1/16	18 1/4	3 1/2	18	13	25 7/8	4 @ 3,646#
		GLC2000-28 (S or AL)-43	Steel	6'	2 7/8	8 1/16	25'-0"	25	14 7/16	17 9/16	18 1/4	3 1/2	-	19	25 7/8	18 @ 3,097#
		GLCS2000-28 (S or AL)-43	Steel	20'	2 7/8	8 1/16	25'-0"	25	22 15/16	26 1/6	18 1/4	3 1/2	12	19	25 7/8	6 @ 3,380#
	43'	AL2000-28-43	Alum	20'	2 3/8	8	25'-0"	37 3/16	27 1/2	-	17	14 5/8	-	49	21	6 @ 3,162#
		GLC2000-28 (S or AL)-53	Steel	6'	2 7/8	8 1/16	25'-0"	25	14 7/16	17 9/16	18 1/4	3 1/2	-	19	25 7/8	22 @ 3,097#
		GLCS2000-28 (S or AL)-53	Steel	20'	2 7/8	8 1/16	25'-0"	25	22 15/16	26 1/6	18 1/4	3 1/2	12	19	25 7/8	8 @ 3,380#
	53'	AL2000-28-53	Alum	20'	2 3/8	8	25'-0"	37 3/16	27 1/2	-	17	14 5/8	-	53	21	8 @ 3,162#
		GLCSL2000-28 (S or AL)-53	Steel	25'	2 7/8	8 1/16	25'-0"	25	26 5/16	29 7/16	18 1/4	3 1/2	15 3/8	19	25 7/8	6 @ 3,527#
GLC2000-28 (S or AL)-63		Steel	6'	2 7/8	8 1/16	25'-0"	25	14 7/16	17 9/16	18 1/4	3 1/2	-	26	25 7/8	26 @ 3,097#	
63'	GLCS2000-28 (S or AL)-63	Steel	20'	2 7/8	8 1/16	25'-0"	25	22 15/16	26 1/6	18 1/4	3 1/2	12	26	25 7/8	8 @ 3,380#	
	AL2000-28-63	Alum	20'	2 3/8	8	25'-0"	37 3/16	27 1/2	-	17	14 5/8	-	53	21	8 @ 3,162#	
	GLCSLX2000-28 (S or AL)-64	Steel	30'	2 7/8	8 1/16	25'-0"	37 3/16	28 15/16	32 1/16	18 1/4	3 1/2	18	54	25 7/8	6 @ 3,646#	
78'	GLCSL2000-28 (S or AL)-78	Steel	25'	2 7/8	8 1/16	25'-0"	37 3/16	26 5/16	29 7/16	18 1/4	3 1/2	15 3/8	54	25 7/8	8 @ 3,527#	
	GLC2000-28 (S or AL)-83	Steel	6'	2 7/8	8 1/16	25'-0"	37 3/16	14 7/16	17 9/16	18 1/4	3 1/2	-	54	25 7/8	34 @ 3,097#	
	GLCS2000-28 (S or AL)-83	Steel	20'	2 7/8	8 1/16	25'-0"	37 3/16	22 15/16	26 1/6	18 1/4	3 1/2	12	54	25 7/8	10 @ 3,380#	
83'	AL2000-28-83	Alum	20'	2 3/8	8	25'-0"	37 3/16	27 1/2	-	17	14 5/8	-	53	21	10 @ 3,162#	
	GLCSLX2000-28 (S or AL)-94	Steel	30'	2 7/8	8 1/16	25'-0"	37 3/16	28 15/16	32 1/16	18 1/4	3 1/2	18	54	25 7/8	8 @ 3,646#	
	GLC2000-28 (S or AL)-103	Steel	6'	2 7/8	8 1/16	25'-0"	37 3/16	14 7/16	17 9/16	18 1/4	3 1/2	-	54	25 7/8	42 @ 3,097#	
103'	GLCS2000-28 (S or AL)-103	Steel	20'	2 7/8	8 1/16	25'-0"	37 3/16	22 15/16	26 1/6	18 1/4	3 1/2	12	54	25 7/8	12 @ 3,380#	
	AL2000-28-103	Alum	20'	2 3/8	8	25'-0"	37 3/16	27 1/2	-	17	14 5/8	-	53	21	12 @ 3,162#	
	GLCSL2000-28 (S or AL)-103	Steel	25'	2 7/8	8 1/16	25'-0"	37 3/16	26 5/16	29 7/16	18 1/4	3 1/2	15 3/8	54	25 7/8	10 @ 3,527#	
124'	GLCSLX2000-28 (S or AL)-124	Steel	30'	2 7/8	8 1/16	25'-0"	37 3/16	28 15/16	32 1/16	18 1/4	3 1/2	18	54	25 7/8	10 @ 3,646#	

*This column provides the total number of support hangers with the corresponding vertical load applied by each support hanger (in pounds) based on the "L1" dimensions shown. Up to a 20" hanger drop will be provided by Gorbel. Additional hanger points or longer drops can be provided at an additional charge.

Gorbel® Ceiling Mounted Work Station Bridge Crane Kits include: bridge, runways, hoist trolley, end trucks, end stops, flat wire festooning, festoon gliders (festoon trolleys on steel runway lengths greater than 63' and all aluminum systems), festoon stack-up section, splice joints and hanger brackets. Sway bracing is required on all systems except flush mounted systems (by others). Sway bracing kits are available but not included in the crane kit. Hoist provided by others.

Dimensions are for reference only and are subject to change without notice.

CEILING MOUNTED WORK STATION BRIDGE CRANES

BRIDGE LENGTH (L)	RUNWAY LENGTH	MODEL NUMBER	TRACK MATL.	BRIDGE								RUNWAY				
				MAX L1	T1 in	L3 in	L4 ft	L6 in	H3 in	H3A in	H4 in	H2 in	H1 in	L7 in	L8 in	HANGERS (See Note)*
34'	28'	GLCSL2000-15 (S or AL)-28	Steel	25'	2 7/8	8 1/16	30'-0"	29	26 5/16	29 7/16	20 7/8	3 1/2	15 3/8	13	25 7/8	4 @ 3,587#
	33'	GLC2000-15 (S or AL)-33	Steel	6'	2 7/8	8 1/16	30'-0"	29	14 7/16	17 9/16	20 7/8	3 1/2	-	13	25 7/8	14 @ 3,157#
		GLCS2000-15 (S or AL)-33	Steel	20'	2 7/8	8 1/16	30'-0"	29	22 15/16	26 1/16	20 7/8	3 1/2	12	13	25 7/8	6 @ 3,440#
		AL2000-15-33	Alum	20'	2 3/8	8	30'-0"	43 7/8	27 1/2	-	17 7/8	15 1/2	-	39	21	6 @ 3,245#
	34'	GLCSLX2000-15 (S or AL)-34	Steel	30'	2 7/8	8 1/16	30'-0"	29	28 15/16	32 1/16	20 7/8	3 1/2	18	13	25 7/8	4 @ 3,706#
	43'	GLC2000-15 (S or AL)-43	Steel	6'	2 7/8	8 1/16	30'-0"	29	14 7/16	17 9/16	20 7/8	3 1/2	-	19	25 7/8	18 @ 3,157#
		GLCS2000-15 (S or AL)-43	Steel	20'	2 7/8	8 1/16	30'-0"	29	22 15/16	26 1/16	20 7/8	3 1/2	12	19	25 7/8	6 @ 3,440#
		AL2000-15-43	Alum	20'	2 3/8	8	30'-0"	43 7/8	27 1/2	-	17 7/8	15 1/2	-	49	21	6 @ 3,245#
	53'	GLC2000-15 (S or AL)-53	Steel	6'	2 7/8	8 1/16	30'-0"	29	14 7/16	17 9/16	20 7/8	3 1/2	-	19	25 7/8	22 @ 3,157#
		GLCS2000-15 (S or AL)-53	Steel	20'	2 7/8	8 1/16	30'-0"	29	22 15/16	26 1/16	20 7/8	3 1/2	12	19	25 7/8	8 @ 3,440#
		AL2000-15-53	Alum	20'	2 3/8	8	30'-0"	43 7/8	27 1/2	-	17 7/8	15 1/2	-	53	21	8 @ 3,245#
		GLCSL2000-15 (S or AL)-53	Steel	25'	2 7/8	8 1/16	30'-0"	29	26 5/16	29 7/16	20 7/8	3 1/2	15 3/8	19	25 7/8	6 @ 3,587#
	63'	GLC2000-15 (S or AL)-63	Steel	6'	2 7/8	8 1/16	30'-0"	29	14 7/16	17 9/16	20 7/8	3 1/2	-	26	25 7/8	26 @ 3,157#
		GLCS2000-15 (S or AL)-63	Steel	20'	2 7/8	8 1/16	30'-0"	29	22 15/16	26 1/16	20 7/8	3 1/2	12	26	25 7/8	8 @ 3,440#
		AL2000-15-63	Alum	20'	2 3/8	8	30'-0"	43 7/8	27 1/2	-	17 7/8	15 1/2	-	53	21	8 @ 3,245#
	64'	GLCSLX2000-15 (S or AL)-64	Steel	30'	2 7/8	8 1/16	30'-0"	43 7/8	28 15/16	32 1/16	20 7/8	3 1/2	18	54	25 7/8	6 @ 3,706#
	78'	GLCSL2000-15 (S or AL)-78	Steel	25'	2 7/8	8 1/16	30'-0"	43 7/8	26 5/16	29 7/16	20 7/8	3 1/2	15 3/8	54	25 7/8	8 @ 3,587#
	83'	GLC2000-15 (S or AL)-83	Steel	6'	2 7/8	8 1/16	30'-0"	43 7/8	14 7/16	17 9/16	20 7/8	3 1/2	-	54	25 7/8	34 @ 3,157#
GLCS2000-15 (S or AL)-83		Steel	20'	2 7/8	8 1/16	30'-0"	43 7/8	22 15/16	26 1/16	20 7/8	3 1/2	12	54	25 7/8	10 @ 3,440#	
AL2000-15-83		Alum	20'	2 3/8	8	30'-0"	43 7/8	27 1/2	-	17 7/8	15 1/2	-	53	21	10 @ 3,245#	
94'	GLCSLX-15 (S or AL)-94	Steel	30'	2 7/8	8 1/16	30'-0"	43 7/8	28 15/16	32 1/16	20 7/8	3 1/2	18	54	25 7/8	8 @ 3,706#	
103'	GLC2000-15 (S or AL)-103	Steel	6'	2 7/8	8 1/16	30'-0"	43 7/8	14 7/16	17 9/16	20 7/8	3 1/2	-	54	25 7/8	42 @ 3,157#	
	GLCS2000-15 (S or AL)-103	Steel	20'	2 7/8	8 1/16	30'-0"	43 7/8	22 15/16	26 1/16	20 7/8	3 1/2	12	54	25 7/8	12 @ 3,440#	
	AL2000-15-103	Alum	20'	2 3/8	8	30'-0"	43 7/8	27 1/2	-	17 7/8	15 1/2	-	53	21	12 @ 3,245#	
	GLCSL2000-15 (S or AL)-103	Steel	25'	2 7/8	8 1/16	30'-0"	43 7/8	26 5/16	29 7/16	20 7/8	3 1/2	15 3/8	54	25 7/8	10 @ 3,587#	
124'	GLCSLX2000-15 (S or AL)-124	Steel	30'	2 7/8	8 1/16	30'-0"	43 7/8	28 15/16	32 1/16	20 7/8	3 1/2	18	54	25 7/8	10 @ 3,706#	

*This column provides the total number of support hangers with the corresponding vertical load applied by each support hanger (in pounds) based on the "L1" dimensions shown. Up to a 20" hanger drop will be provided by Gorbel. Additional hanger points or longer drops can be provided at an additional charge.

Gorbel® Ceiling Mounted Work Station Bridge Crane Kits include: bridge, runways, hoist trolley, end trucks, end stops, flat wire festooning, festoon gliders (festoon trolleys on steel runway lengths greater than 63' and all aluminum systems), festoon stack-up section, splice joints and hanger brackets. Sway bracing is required on all systems except flush mounted systems (by others). Sway bracing kits are available but not included in the crane kit. Hoist provided by others.

Dimensions are for reference only and are subject to change without notice.

4000# CAPACITY

CEILING MOUNTED WORK STATION BRIDGE CRANES

BRIDGE LENGTH (L)	RUNWAY LENGTH	MODEL NUMBER	TRACK MATL.	BRIDGE									RUNWAY			
				MAX L1	T1 in	L3 in	L4 ft	L6 in	H3 in	H3A in	H4 in	H2 in	H1 in	L7 in	L8 in	HANGERS (See Note)*
15'	23'	GLC4000-15 (S or AL)-23 GLCS4000-15 (S or AL)-23	Steel Steel	4' 20'	3 3/8 3 3/8	15 1/16 15 1/16	12'-6" 12'-6"	24 24	11 7/16 29 7/16	14 1/2 32 1/2	21 3/8 21 3/8	3 1/2 3 1/2	- 18	9 9	25 7/8 25 7/8	14 @ 5,730# 4 @ 6,143#
	28'	GLCSL4000-15 (S or AL)-28	Steel	25'	3 3/8	15 1/16	12'-6"	24	31 7/16	34 1/2	21 3/8	3 1/2	20	13	25 7/8	4 @ 6,385#
	33'	GLC4000-15 (S or AL)-33 GLCS4000-15 (S or AL)-33	Steel Steel	4' 20'	3 3/8 3 3/8	15 1/16 15 1/16	12'-6" 12'-6"	24 24	11 7/16 29 7/16	14 1/2 32 1/2	21 3/8 21 3/8	3 1/2 3 1/2	- 18	13 13	25 7/8 25 7/8	20 @ 5,730# 6 @ 6,143#
	34'	GLCSLX4000-15 (S or AL)-34	Steel	30'	3 3/8	15 1/16	12'-6"	24	32 7/16	35 1/2	21 3/8	3 1/2	22	13	25 7/8	4 @ 6,652#
	43'	GLC4000-15 (S or AL)-43 GLCS4000-15 (S or AL)-43	Steel Steel	4' 20'	3 3/8 3 3/8	15 1/16 15 1/16	12'-6" 12'-6"	24 24	11 7/16 29 7/16	14 1/2 32 1/2	21 3/8 21 3/8	3 1/2 3 1/2	- 18	19 19	25 7/8 25 7/8	24 @ 5,730# 6 @ 6,143#
	53'	GLC4000-15 (S or AL)-53 GLCS4000-15 (S or AL)-53 GLCSL4000-15 (S or AL)-53	Steel Steel Steel	4' 20' 25'	3 3/8 3 3/8 3 3/8	15 1/16 15 1/16 15 1/16	12'-6" 12'-6" 12'-6"	24 24 24	11 7/16 29 7/16 31 7/16	14 1/2 32 1/2 34 1/2	21 3/8 21 3/8 21 3/8	3 1/2 3 1/2 3 1/2	- 18 20	19 19 19	25 7/8 25 7/8 25 7/8	30 @ 5,730# 8 @ 6,143# 6 @ 6,385#
	63'	GLC4000-15 (S or AL)-63 GLCS4000-15 (S or AL)-63	Steel Steel	4' 20'	3 3/8 3 3/8	15 1/16 15 1/16	12'-6" 12'-6"	24 24	11 7/16 29 7/16	14 1/2 32 1/2	21 3/8 21 3/8	3 1/2 3 1/2	- 18	26 26	25 7/8 25 7/8	34 @ 5,730# 8 @ 6,143#
	64'	GLCSLX4000-15 (S or AL)-64	Steel	30'	3 3/8	15 1/16	12'-6"	30 3/4	32 7/16	35 1/2	21 3/8	3 1/2	22	54	25 7/8	6 @ 6,652#
	78'	GLCSL4000-15 (S or AL)-78	Steel	25'	3 3/8	15 1/16	12'-6"	30 3/4	31 7/16	34 1/2	21 3/8	3 1/2	20	54	25 7/8	8 @ 6,385#
	83'	GLC4000-15 (S or AL)-83 GLCS4000-15 (S or AL)-83	Steel Steel	4' 20'	3 3/8 3 3/8	15 1/16 15 1/16	12'-6" 12'-6"	30 3/4 30 3/4	11 7/16 29 7/16	14 1/2 32 1/2	21 3/8 21 3/8	3 1/2 3 1/2	- 18	54 54	25 7/8 25 7/8	44 @ 5,730# 10 @ 6,143#
	94'	GLCSLX-15 (S or AL)-94	Steel	30'	3 3/8	15 1/16	12'-6"	30 3/4	32 7/16	35 1/2	21 3/8	3 1/2	22	54	25 7/8	8 @ 6,652#
	103'	GLC4000-15 (S or AL)-103 GLCS4000-15 (S or AL)-103 GLCSL4000-15 (S or AL)-103	Steel Steel Steel	4' 20' 25'	3 3/8 3 3/8 3 3/8	15 1/16 15 1/16 15 1/16	12'-6" 12'-6" 12'-6"	30 3/4 30 3/4 30 3/4	11 7/16 29 7/16 31 7/16	14 1/2 32 1/2 34 1/2	21 3/8 21 3/8 21 3/8	3 1/2 3 1/2 3 1/2	- 18 20	54 54 54	25 7/8 25 7/8 25 7/8	54 @ 5,730# 12 @ 6,143# 10 @ 6,385#
124'	GLCSLX4000-15 (S or AL)-124	Steel	30'	3 3/8	15 1/16	12'-6"	30 3/4	32 7/16	35 1/2	21 3/8	3 1/2	22	54	25 7/8	10 @ 6,652#	
20'	23'	GLC4000-20 (S or AL)-23 GLCS4000-20 (S or AL)-23	Steel Steel	4' 20'	3 3/8 3 3/8	15 1/16 15 1/16	17'-6" 17'-6"	26 26	11 7/16 29 7/16	14 1/2 32 1/2	21 3/8 21 3/8	3 1/2 3 1/2	- 18	9 9	25 7/8 25 7/8	14 @ 5,781# 4 @ 6,195#
	28'	GLCSL4000-20 (S or AL)-28	Steel	25'	3 3/8	15 1/16	17'-6"	26	31 7/16	34 1/2	21 3/8	3 1/2	20	13	25 7/8	4 @ 6,437#
	33'	GLC4000-20 (S or AL)-33 GLCS4000-20 (S or AL)-33	Steel Steel	4' 20'	3 3/8 3 3/8	15 1/16 15 1/16	17'-6" 17'-6"	26 26	11 7/16 29 7/16	14 1/2 32 1/2	21 3/8 21 3/8	3 1/2 3 1/2	- 18	13 13	25 7/8 25 7/8	20 @ 5,781# 6 @ 6,195#
	34'	GLCSLX4000-20 (S or AL)-34	Steel	30'	3 3/8	15 1/16	17'-6"	26	32 7/16	35 1/2	21 3/8	3 1/2	22	13	25 7/8	4 @ 6,704#
	43'	GLC4000-20 (S or AL)-43 GLCS4000-20 (S or AL)-43	Steel Steel	4' 20'	3 3/8 3 3/8	15 1/16 15 1/16	17'-6" 17'-6"	26 26	11 7/16 29 7/16	14 1/2 32 1/2	21 3/8 21 3/8	3 1/2 3 1/2	- 18	19 19	25 7/8 25 7/8	24 @ 5,781# 6 @ 6,195#
	53'	GLC4000-20 (S or AL)-53 GLCS4000-20 (S or AL)-53 GLCSL4000-20 (S or AL)-53	Steel Steel Steel	4' 20' 25'	3 3/8 3 3/8 3 3/8	15 1/16 15 1/16 15 1/16	17'-6" 17'-6" 17'-6"	26 26 26	11 7/16 29 7/16 31 7/16	14 1/2 32 1/2 34 1/2	21 3/8 21 3/8 21 3/8	3 1/2 3 1/2 3 1/2	- 18 20	19 19 19	25 7/8 25 7/8 25 7/8	30 @ 5,781# 8 @ 6,195# 6 @ 6,437#
	63'	GLC4000-20 (S or AL)-63 GLCS4000-20 (S or AL)-63	Steel Steel	4' 20'	3 3/8 3 3/8	15 1/16 15 1/16	17'-6" 17'-6"	26 26	11 7/16 29 7/16	14 1/2 32 1/2	21 3/8 21 3/8	3 1/2 3 1/2	- 18	26 26	25 7/8 25 7/8	34 @ 5,781# 8 @ 6,195#
	64'	GLCSLX4000-20 (S or AL)-64	Steel	30'	3 3/8	15 1/16	17'-6"	34 1/8	32 7/16	35 1/2	21 3/8	3 1/2	22	54	25 7/8	6 @ 6,704#
	78'	GLCSL4000-20 (S or AL)-78	Steel	25'	3 3/8	15 1/16	17'-6"	34 1/8	31 7/16	34 1/2	21 3/8	3 1/2	20	54	25 7/8	8 @ 6,437#
	83'	GLC4000-20 (S or AL)-83 GLCS4000-20 (S or AL)-83	Steel Steel	4' 20'	3 3/8 3 3/8	15 1/16 15 1/16	17'-6" 17'-6"	34 1/8 34 1/8	11 7/16 29 7/16	14 1/2 32 1/2	21 3/8 21 3/8	3 1/2 3 1/2	- 18	54 54	25 7/8 25 7/8	44 @ 5,781# 10 @ 6,195#
	94'	GLCSLX4000-20 (S or AL)-94	Steel	30'	3 3/8	15 1/16	17'-6"	34 1/8	32 7/16	35 1/2	21 3/8	3 1/2	22	54	25 7/8	8 @ 6,704#
	103'	GLC4000-20 (S or AL)-103 GLCS4000-20 (S or AL)-103 GLCSL4000-20 (S or AL)-103	Steel Steel Steel	4' 20' 25'	3 3/8 3 3/8 3 3/8	15 1/16 15 1/16 15 1/16	17'-6" 17'-6" 17'-6"	34 1/8 34 1/8 34 1/8	11 7/16 29 7/16 31 7/16	14 1/2 32 1/2 34 1/2	21 3/8 21 3/8 21 3/8	3 1/2 3 1/2 3 1/2	- 18 20	54 54 54	25 7/8 25 7/8 25 7/8	54 @ 5,781# 12 @ 6,195# 10 @ 6,437#
124'	GLCSLX4000-20 (S or AL)-124	Steel	30'	3 3/8	15 1/16	17'-6"	34 1/8	32 7/16	35 1/2	21 3/8	3 1/2	22	54	25 7/8	10 @ 6,704#	
23'	23'	GLC4000-23 (S or AL)-23 GLCS4000-23 (S or AL)-23	Steel Steel	4' 20'	3 3/8 3 3/8	15 1/16 15 1/16	20'-6" 20'-6"	28 28	11 7/16 29 7/16	14 1/2 32 1/2	21 3/8 21 3/8	3 1/2 3 1/2	- 18	9 9	25 7/8 25 7/8	14 @ 5,812# 4 @ 6,226#
	28'	GLCSL4000-23 (S or AL)-28	Steel	25'	3 3/8	15 1/16	20'-6"	28	31 7/16	34 1/2	21 3/8	3 1/2	20	13	25 7/8	4 @ 6,468#
	33'	GLC4000-23 (S or AL)-33 GLCS4000-23 (S or AL)-33	Steel Steel	4' 20'	3 3/8 3 3/8	15 1/16 15 1/16	20'-6" 20'-6"	28 28	11 7/16 29 7/16	14 1/2 32 1/2	21 3/8 21 3/8	3 1/2 3 1/2	- 18	13 13	25 7/8 25 7/8	20 @ 5,812# 6 @ 6,226#
	34'	GLCSLX4000-23 (S or AL)-34	Steel	30'	3 3/8	15 1/16	20'-6"	28	32 7/16	35 1/2	21 3/8	3 1/2	22	13	25 7/8	4 @ 6,735#
	43'	GLC4000-23 (S or AL)-43 GLCS4000-23 (S or AL)-43	Steel Steel	4' 20'	3 3/8 3 3/8	15 1/16 15 1/16	20'-6" 20'-6"	28 28	11 7/16 29 7/16	14 1/2 32 1/2	21 3/8 21 3/8	3 1/2 3 1/2	- 18	19 19	25 7/8 25 7/8	24 @ 5,812# 6 @ 6,226#
	53'	GLC4000-23 (S or AL)-53 GLCS4000-23 (S or AL)-53 GLCSL4000-23 (S or AL)-53	Steel Steel Steel	4' 20' 25'	3 3/8 3 3/8 3 3/8	15 1/16 15 1/16 15 1/16	20'-6" 20'-6" 20'-6"	28 28 28	11 7/16 29 7/16 31 7/16	14 1/2 32 1/2 34 1/2	21 3/8 21 3/8 21 3/8	3 1/2 3 1/2 3 1/2	- 18 20	19 19 19	25 7/8 25 7/8 25 7/8	30 @ 5,812# 8 @ 6,226# 6 @ 6,468#

*This column provides the total number of support hangers with the corresponding vertical load applied by each support hanger (in pounds) based on the "L1" dimensions shown. Up to a 20" hanger drop will be provided by Gorbel. Additional hanger points or longer drops can be provided at an additional charge.

Gorbel® Ceiling Mounted Work Station Bridge Crane Kits include: bridge, runways, hoist trolley, end trucks, end stops, flat wire festooning, festoon gliders (festoon trolleys on steel runway lengths greater than 63' and all aluminum systems), festoon stack-up section, splice joints and hanger brackets. Sway bracing is required on all systems except flush mounted systems (by others). Sway bracing kits are available but not included in the crane kit. Hoist provided by others.

Dimensions are for reference only and are subject to change without notice.

CEILING MOUNTED WORK STATION BRIDGE CRANES

BRIDGE LENGTH (L)	RUNWAY LENGTH	MODEL NUMBER	TRACK MATL.	BRIDGE								RUNWAY				
				MAX L1	T1 in	L3 in	L4 ft	L6 in	H3 in	H3A in	H4 in	H2 in	H1 in	L7 in	L8 in	HANGERS (See Note)*
23'	63'	GLC4000-23 (S or AL)-63 GLCS4000-23 (S or AL)-63	Steel	4'	3 3/8	15 1/16	20'-6"	28	11 7/16	14 1/2	21 3/8	3 1/2	-	26	25 7/8	34 @ 5,812#
	64'	GLCSLX4000-23 (S or AL)-64	Steel	20'	3 3/8	15 1/16	20'-6"	28	29 7/16	32 1/2	21 3/8	3 1/2	18	26	25 7/8	8 @ 6,226#
	78'	GLCSL4000-23 (S or AL)-78	Steel	25'	3 3/8	15 1/16	20'-6"	37 7/16	31 7/16	34 1/2	21 3/8	3 1/2	20	54	25 7/8	8 @ 6,468#
	83'	GLC4000-23 (S or AL)-83 GLCS4000-23 (S or AL)-83	Steel	4'	3 3/8	15 1/16	20'-6"	37 7/16	11 7/16	14 1/2	21 3/8	3 1/2	-	54	25 7/8	44 @ 5,812#
	94'	GLCSLX-23 (S or AL)-94	Steel	20'	3 3/8	15 1/16	20'-6"	37 7/16	29 7/16	32 1/2	21 3/8	3 1/2	18	54	25 7/8	10 @ 6,226#
	103'	GLC4000-23 (S or AL)-103 GLCS4000-23 (S or AL)-103	Steel	30'	3 3/8	15 1/16	20'-6"	37 7/16	32 7/16	35 1/2	21 3/8	3 1/2	22	54	25 7/8	8 @ 6,735#
	124'	GLCSLX4000-23 (S or AL)-124	Steel	4'	3 3/8	15 1/16	20'-6"	37 7/16	11 7/16	14 1/2	21 3/8	3 1/2	-	54	25 7/8	54 @ 5,812#
28'	23'	GLC4000-28 (S or AL)-23 GLCS4000-28 (S or AL)-23	Steel	20'	3 3/8	15 1/16	25'-0"	32	29 7/16	32 1/2	23 3/8	3 1/2	18	9	25 7/8	14 @ 5,928#
	28'	GLCSL4000-28 (S or AL)-28	Steel	25'	3 3/8	15 1/16	25'-0"	32	31 7/16	34 1/2	23 3/8	3 1/2	20	13	25 7/8	4 @ 6,583#
	33'	GLC4000-28 (S or AL)-33 GLCS4000-28 (S or AL)-33	Steel	4'	3 3/8	15 1/16	25'-0"	32	11 7/16	14 1/2	23 3/8	3 1/2	-	13	25 7/8	20 @ 5,928#
	34'	GLCSLX4000-28 (S or AL)-34	Steel	20'	3 3/8	15 1/16	25'-0"	32	29 7/16	32 1/2	23 3/8	3 1/2	18	13	25 7/8	6 @ 6,342#
	43'	GLC4000-28 (S or AL)-43 GLCS4000-28 (S or AL)-43	Steel	30'	3 3/8	15 1/16	25'-0"	32	32 7/16	35 1/2	23 3/8	3 1/2	22	13	25 7/8	4 @ 6,851#
	53'	GLC4000-28 (S or AL)-53 GLCS4000-28 (S or AL)-53	Steel	4'	3 3/8	15 1/16	25'-0"	32	11 7/16	14 1/2	23 3/8	3 1/2	-	19	25 7/8	24 @ 5,928#
	63'	GLC4000-28 (S or AL)-63 GLCS4000-28 (S or AL)-63	Steel	20'	3 3/8	15 1/16	25'-0"	32	29 7/16	32 1/2	23 3/8	3 1/2	18	19	25 7/8	8 @ 6,342#
	64'	GLCSLX4000-28 (S or AL)-64	Steel	25'	3 3/8	15 1/16	25'-0"	32	31 7/16	34 1/2	23 3/8	3 1/2	20	19	25 7/8	6 @ 6,583#
	78'	GLC4000-28 (S or AL)-78 GLCS4000-28 (S or AL)-78	Steel	4'	3 3/8	15 1/16	25'-0"	32	11 7/16	14 1/2	23 3/8	3 1/2	-	26	25 7/8	34 @ 5,928#
	83'	GLC4000-28 (S or AL)-83 GLCS4000-28 (S or AL)-83	Steel	20'	3 3/8	15 1/16	25'-0"	32	29 7/16	32 1/2	23 3/8	3 1/2	18	26	25 7/8	8 @ 6,342#
	94'	GLCSLX4000-28 (S or AL)-94	Steel	30'	3 3/8	15 1/16	25'-0"	44 3/16	32 7/16	35 1/2	23 3/8	3 1/2	22	54	25 7/8	6 @ 6,851#
	103'	GLC4000-28 (S or AL)-103 GLCS4000-28 (S or AL)-103	Steel	25'	3 3/8	15 1/16	25'-0"	44 3/16	31 7/16	34 1/2	23 3/8	3 1/2	20	54	25 7/8	8 @ 6,583#
124'	GLCSLX4000-28 (S or AL)-124	Steel	30'	3 3/8	15 1/16	25'-0"	44 3/16	32 7/16	35 1/2	23 3/8	3 1/2	22	54	25 7/8	10 @ 6,851#	
34'	28'	GLCSL4000-34 (S or AL)-28	Steel	25'	3 3/8	15 1/16	30'-0"	36	31 7/16	34 1/2	25 3/8	3 1/2	20	13	25 7/8	4 @ 6,717#
	33'	GLC4000-34 (S or AL)-33 GLCS4000-34 (S or AL)-33	Steel	4'	3 3/8	15 1/16	30'-0"	36	11 7/16	14 1/2	25 3/8	3 1/2	-	13	25 7/8	20 @ 6,062#
	34'	GLCSLX4000-34 (S or AL)-34	Steel	20'	3 3/8	15 1/16	30'-0"	36	29 7/16	32 1/2	25 3/8	3 1/2	18	13	25 7/8	6 @ 6,475#
	43'	GLC4000-34 (S or AL)-43 GLCS4000-34 (S or AL)-43	Steel	30'	3 3/8	15 1/16	30'-0"	36	32 7/16	35 1/2	25 3/8	3 1/2	22	13	25 7/8	4 @ 6,985#
	53'	GLC4000-34 (S or AL)-53 GLCS4000-34 (S or AL)-53	Steel	4'	3 3/8	15 1/16	30'-0"	36	11 7/16	14 1/2	25 3/8	3 1/2	-	19	25 7/8	24 @ 6,062#
	63'	GLC4000-34 (S or AL)-63 GLCS4000-34 (S or AL)-63	Steel	20'	3 3/8	15 1/16	30'-0"	36	29 7/16	32 1/2	25 3/8	3 1/2	18	19	25 7/8	8 @ 6,475#
	64'	GLCSLX4000-34 (S or AL)-64	Steel	25'	3 3/8	15 1/16	30'-0"	36	31 7/16	34 1/2	25 3/8	3 1/2	20	19	25 7/8	6 @ 6,717#
	78'	GLC4000-34 (S or AL)-78 GLCS4000-34 (S or AL)-78	Steel	4'	3 3/8	15 1/16	30'-0"	36	11 7/16	14 1/2	25 3/8	3 1/2	-	26	25 7/8	34 @ 6,062#
	83'	GLC4000-34 (S or AL)-83 GLCS4000-34 (S or AL)-83	Steel	20'	3 3/8	15 1/16	30'-0"	36	29 7/16	32 1/2	25 3/8	3 1/2	18	26	25 7/8	8 @ 6,475#
	94'	GLCSLX4000-34 (S or AL)-94	Steel	30'	3 3/8	15 1/16	30'-0"	50 7/8	32 7/16	35 1/2	25 3/8	3 1/2	22	54	25 7/8	6 @ 6,985#
	103'	GLC4000-34 (S or AL)-103 GLCS4000-34 (S or AL)-103	Steel	25'	3 3/8	15 1/16	30'-0"	50 7/8	31 7/16	34 1/2	25 3/8	3 1/2	20	54	25 7/8	8 @ 6,717#
	124'	GLCSLX4000-34 (S or AL)-124	Steel	30'	3 3/8	15 1/16	30'-0"	50 7/8	32 7/16	35 1/2	25 3/8	3 1/2	22	54	25 7/8	10 @ 6,985#

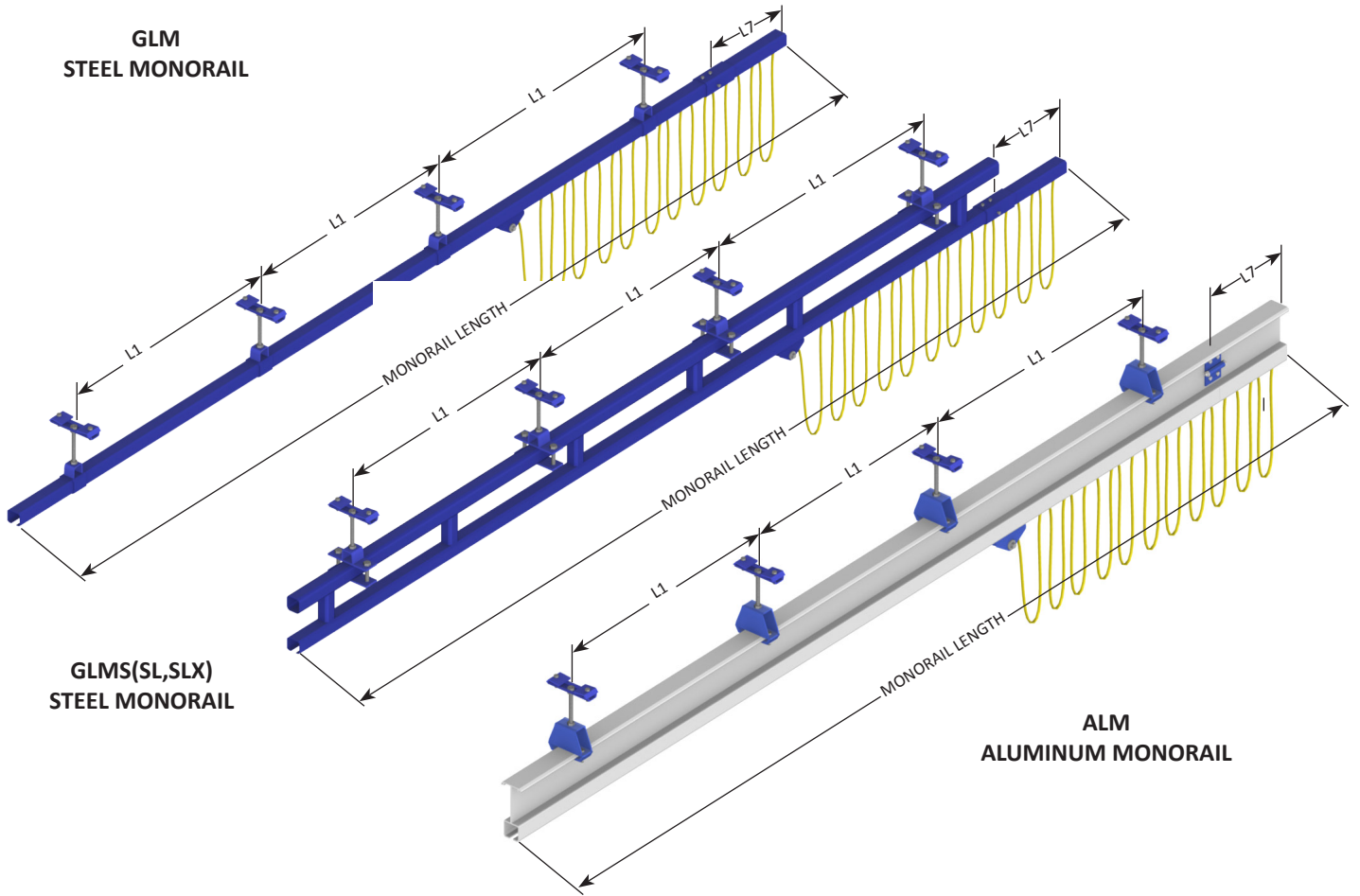
CEILING MOUNTED WORK STATION BRIDGE CRANES

*This column provides the total number of support hangers with the corresponding vertical load applied by each support hanger (in pounds) based on the "L1" dimensions shown. Up to a 20" hanger drop will be provided by Gorbel. Additional hanger points or longer drops can be provided at an additional charge.

Gorbel® Ceiling Mounted Work Station Bridge Crane Kits include: bridge, runways, hoist trolley, end trucks, end stops, flat wire festooning, festoon gliders (festoon trolleys on steel runway lengths greater than 63' and all aluminum systems), festoon stack-up section, splice joints and hanger brackets. Sway bracing is required on all systems except flush mounted systems (by others). Sway bracing kits are available but not included in the crane kit. Hoist provided by others.

Dimensions are for reference only and are subject to change without notice.

CEILING MOUNTED WORK STATION MONORAIL ISOMETRIC VIEW



Model Number: _____

Capacity: _____ pounds

Bridge Length (L): _____ (OAL)

Runway Length: _____ (OAL)

L1: _____ Are the number of support assemblies provided sufficient?

(See "HANGERS" column on dimensional chart pages)

Type of hanger required:

- Standard hanger with up to 20 inch drop.
Support beam flange width _____ inches
- Flush mounted, parallel
Support beam flange width _____ inches
- Flush mounted, perpendicular
Support beam flange width _____ inches
- Special hangers

Note: Sway bracing is required on all systems except flush mounted systems. Sway bracing kits are available but are not included in the crane kit.

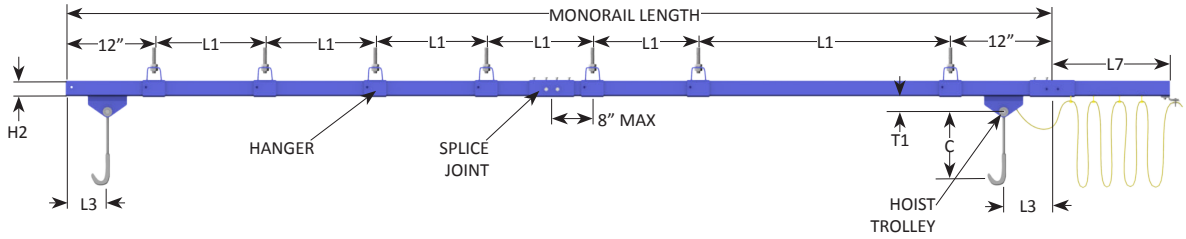
C: _____ inches (hoist by others)

Gorbel® Monorails include: monorails, hoist trolley, end stops, flat wire festooning, festoon gliders (festoon trolleys on steel monorail lengths greater than 63 feet and all aluminum systems), festoon stack-up section, splice joints and hanger brackets. Additional hanger points or longer drops, in excess of 20 inches, can be provided at an additional cost (hoist and sway bracing by others). Sway bracing kits are available but are not included in the crane kit.

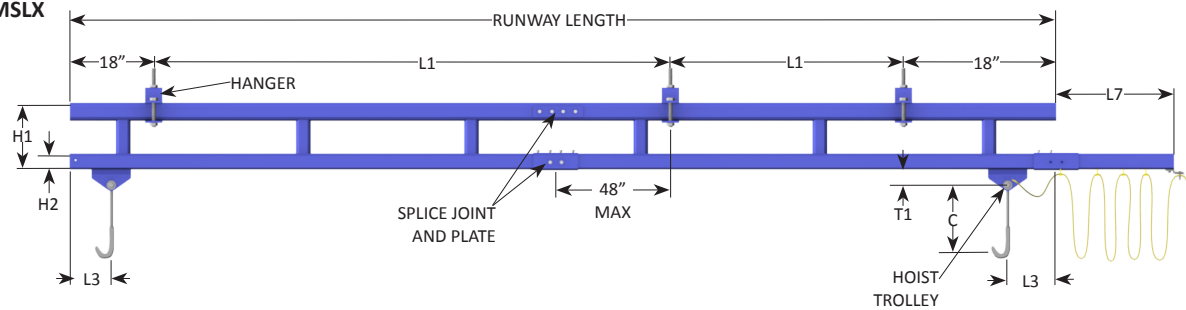
Dimension and design details subject to change without notice.

CEILING MOUNTED WORK STATION MONORAIL

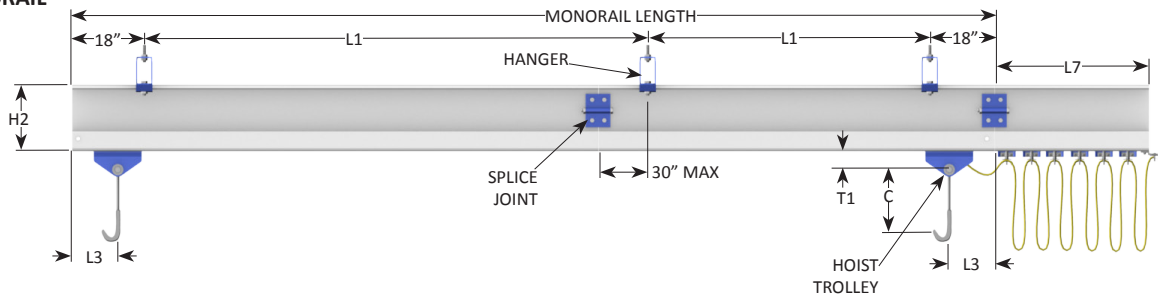
GLM STEEL MONORAIL



GLMS, GLMSL, GLMSLX STEEL MONORAIL



GLM STEEL MONORAIL



Model Number: _____

Capacity: _____ pounds

Bridge Length (L): _____ (OAL)

Runway Length: _____ (OAL)

L1: _____ Are the number of support assemblies provided sufficient?

(See "HANGERS" column on dimensional chart pages)

Type of hanger required:

- Standard hanger with up to 20 inch drop.
Support beam flange width _____ inches
- Flush mounted, parallel
Support beam flange width _____ inches
- Flush mounted, perpendicular
Support beam flange width _____ inches
- Special hangers

Note: Sway bracing is required on all systems except flush mounted systems. Sway bracing kits are available but are not included in the crane kit.

C: _____ inches (hoist by others)

Corbel® Monorails include: monorails, hoist trolley, end stops, flat wire festooning, festoon gliders (festoon trolleys on steel monorail lengths greater than 63 feet and all aluminum systems), festoon stack-up section, splice joints and hanger brackets. Additional hanger points or longer drops, in excess of 20 inches, can be provided at an additional cost (hoist and sway bracing by others). Sway bracing kits are available but are not included in the crane kit.

Dimension and design details subject to change without notice.

250#-500# CAPACITY

CEILING MOUNTED WORK STATION MONORAILS

250# CAPACITY	MONORAIL LENGTH	MONORAIL LENGTH	TRACK MATL.	MAX L1	T1 in	H1 in	H2 in	L3 in	L7 in	HANGERS (See Note)*
	11'-6"	GLM250-11.5	Steel	6'	1 1/2	-	1 3/4	5 1/16	9	3 @ 366#
		GLMS250-11.5	Steel	20'	1 1/2	9	1 3/4	5 1/16	9	2 @ 449#
		ALM250-11.5	Alum	20'	2 11/16	-	8	7 3/16	9	2 @ 430#
	23'	GLM250-23	Steel	6'	1 1/2	-	1 3/4	5 1/16	9	5 @ 366#
		GLMS250-23	Steel	20'	1 1/2	9	1 3/4	5 1/16	9	2 @ 449#
		ALM250-23	Alum	20'	2 11/16	-	8	7 3/16	14	2 @ 430#
	28'	GLMSL250-28	Steel	25'	1 1/2	11	1 3/4	5 1/16	9	2 @ 561#
	33'	GLM250-33	Steel	6'	1 1/2	-	1 3/4	5 1/16	9	7 @ 366#
		GLMS250-33	Steel	20'	1 1/2	9	1 3/4	5 1/16	9	3 @ 449#
ALM250-33		Alum	20'	2 11/16	-	8	7 3/16	20	3 @ 430#	
43'	GLM250-43	Steel	6'	1 1/2	-	1 3/4	5 1/16	13	8 @ 366#	
	GLMS250-43	Steel	20'	1 1/2	9	1 3/4	5 1/16	13	3 @ 449#	
	ALM250-43	Alum	20'	2 11/16	-	8	7 3/16	27	3 @ 430#	
53'	GLM250-53	Steel	6'	1 1/2	-	1 3/4	5 1/16	13	11 @ 366#	
	GLMS250-53	Steel	20'	1 1/2	9	1 3/4	5 1/16	13	4 @ 449#	
	ALM250-53	Alum	20'	2 11/16	-	8	7 3/16	30	4 @ 430#	
	GLMSL250-53	Steel	25'	1 1/2	11	1 3/4	5 1/16	13	3 @ 561#	
63'	GLM250-63	Steel	6'	1 1/2	-	1 3/4	5 1/16	19	12 @ 366#	
	GLMS250-63	Steel	20'	1 1/2	9	1 3/4	5 1/16	19	4 @ 449#	
	ALM250-63	Alum	20'	2 11/16	-	8	7 3/16	37	4 @ 430#	
78'	GLMSL250-78	Steel	25'	1 1/2	11	1 3/4	5 1/16	54	4 @ 561#	
83'	GLM250-83	Steel	6'	1 1/2	-	1 3/4	5 1/16	54	16 @ 366#	
	GLMS250-83	Steel	20'	1 1/2	9	1 3/4	5 1/16	54	5 @ 449#	
	ALM250-83	Alum	20'	2 11/16	-	8	7 3/16	47	5 @ 430#	
103'	GLM250-103	Steel	6'	1 1/2	-	1 3/4	5 1/16	54	20 @ 366#	
	GLMS250-103	Steel	20'	1 1/2	9	1 3/4	5 1/16	54	6 @ 449#	
	ALM250-103	Alum	20'	2 11/16	-	8	7 3/16	53	6 @ 430#	
	GLMSL250-103	Steel	25'	1 1/2	11	1 3/4	5 1/16	54	5 @ 561#	

500# CAPACITY	MONORAIL LENGTH	MONORAIL LENGTH	TRACK MATL.	MAX L1	T1 in	H1 in	H2 ft	L3 in	L7 in	HANGERS (See Note)*
	11'-6"	GLM500-11.5	Steel	6'	2 13/16	-	2 3/8	7 1/8	9	3 @ 725#
		GLMS500-11.5	Steel	20'	2 13/16	10	2 3/8	7 1/8	9	2 @ 849#
		ALM500-11.5	Alum	20'	2 11/16	-	10	7 3/16	9	2 @ 794#
	23'	GLM500-23	Steel	6'	2 13/16	-	2 3/8	7 1/8	9	5 @ 725#
		GLMS500-23	Steel	20'	2 13/16	10	2 3/8	7 1/8	9	2 @ 849#
		ALM500-23	Alum	20'	2 11/16	-	10	7 3/16	14	2 @ 794#
	28'	GLMSL500-28	Steel	25'	2 13/16	12 3/8	2 3/8	7 1/8	9	2 @ 968#
	33'	GLM500-33	Steel	6'	2 13/16	-	2 3/8	7 1/8	9	7 @ 725#
		GLMS500-33	Steel	20'	2 13/16	10	2 3/8	7 1/8	9	3 @ 849#
ALM500-33		Alum	20'	2 11/16	-	10	7 3/16	20	3 @ 794#	
34'	GLMSLX500-34	Steel	30'	2 13/16	14 3/8	2 3/8	7 1/8	9	2 @ 1,031#	
43'	GLM500-43	Steel	6'	2 13/16	-	2 3/8	7 1/8	13	8 @ 725#	
	GLMS500-43	Steel	20'	2 13/16	10	2 3/8	7 1/8	13	3 @ 849#	
	ALM500-43	Alum	20'	2 11/16	-	10	7 3/16	27	3 @ 794#	
53'	GLM500-53	Steel	6'	2 13/16	-	2 3/8	7 1/8	13	11 @ 725#	
	GLMS500-53	Steel	20'	2 13/16	10	2 3/8	7 1/8	13	4 @ 849#	
	ALM500-53	Alum	20'	2 11/16	-	10	7 3/16	30	4 @ 794#	
	GLMSL500-53	Steel	25'	2 13/16	12 3/8	2 3/8	7 1/8	13	3 @ 968#	
63'	GLM500-63	Steel	6'	2 13/16	-	2 3/8	7 1/8	19	12 @ 725#	
	GLMS500-63	Steel	20'	2 13/16	10	2 3/8	7 1/8	19	4 @ 849#	
	ALM500-63	Alum	20'	2 11/16	-	10	7 3/16	37	4 @ 794#	
64'	GLMSLX500-64	Steel	30'	2 13/16	14 3/8	2 3/8	7 1/8	46	3 @ 1,031@	
78'	GLMSL500-78	Steel	25'	2 13/16	12 3/8	2 3/8	7 1/8	54	4 @ 968#	
83'	GLM500-83	Steel	6'	2 13/16	-	2 3/8	7 1/8	54	16 @ 725#	
	GLMS500-83	Steel	20'	2 13/16	10	2 3/8	7 1/8	54	5 @ 849#	
	ALM500-83	Alum	20'	2 11/16	-	10	7 3/16	47	5 @ 794#	
94'	GLMSLX500-94	Steel	30'	2 13/16	14 3/8	2 3/8	7 1/8	54	4 @ 1,031@	
103'	GLM500-103	Steel	6'	2 13/16	-	2 3/8	7 1/8	54	20 @ 725#	
	GLMS500-103	Steel	20'	2 13/16	10	2 3/8	7 1/8	54	6 @ 849#	
	ALM500-103	Alum	20'	2 11/16	-	10	7 3/16	53	6 @ 794#	
	GLMSL500-103	Steel	25'	2 13/16	12 3/8	2 3/8	7 1/8	54	5 @ 968#	
124'	GLMSLX500-124	Steel	30'	2 13/16	14 3/8	2 3/8	7 1/8	54	5 @ 1,031#	

*This column provides the total number of support hangers with the corresponding vertical load applied by each support hanger (in pounds) based on the "L1" dimensions shown. Up to a 20" hanger drop will be provided by Gorbel. Additional hanger points or longer drops can be provided at an additional charge.

Gorbel® Monorail Kits include: monorail track, hoist trolley, end stops, flat wire festooning, festoon gliders (festoon trolleys on steel monorail lengths greater than 63' and all aluminum systems), festoon stack-up section, splice joints and hanger brackets. Sway bracing is required on all systems except flush mounted systems (by others). Sway bracing kits are available but not included in the crane kit. Hoist provided by others.

Dimensions are for reference only and are subject to change without notice.

CEILING MOUNTED WORK STATION MONORAILS

1000# CAPACITY	MONORAIL LENGTH	MONORAIL LENGTH	TRACK MATL.	MAX L1	T1 in	H1 in	H2 ft	L3 in	L7 in	HANGERS (See Note)*
	11'-6"	GLM1000-11.5	Steel	6'	3 1/8	-	3 1/16	7 7/8	9	3 @ 1,438#
		GLMS1000-11.5	Steel	20'	3 1/8	11 1/16	3 1/16	7 7/8	9	2 @ 1,645#
		ALM1000-11.5	Alum	20'	2 5/8	-	11	7 13/16	13	2 @ 1,569#
	23'	GLM1000-23	Steel	6'	3 1/8	-	3 1/16	7 7/8	9	5 @ 1,438#
		GLMS1000-23	Steel	20'	3 1/8	11 1/16	3 1/16	7 7/8	9	2 @ 1,645#
		ALM1000-23	Alum	20'	2 5/8	-	11	7 13/16	28	2 @ 1,569#
	28'	GLMSL1000-28	Steel	25'	3 1/8	13 15/16	3 1/16	7 7/8	13	2 @ 1,752#
	33'	GLM1000-33	Steel	6'	3 1/8	-	3 1/16	7 7/8	13	7 @ 1,438#
		GLMS1000-33	Steel	20'	3 1/8	11 1/16	3 1/16	7 7/8	13	3 @ 1,645#
		ALM1000-33	Alum	20'	2 5/8	-	11	7 13/16	39	3 @ 1,569#
	34'	GLMSLX1000-34	Steel	30'	3 1/8	17 1/16	3 1/16	7 7/8	13	2 @ 1,925#
	43'	GLM1000-43	Steel	6'	3 1/8	-	3 1/16	7 7/8	19	8 @ 1,438#
		GLMS1000-43	Steel	20'	3 1/8	11 1/16	3 1/16	7 7/8	19	3 @ 1,645#
		ALM1000-43	Alum	20'	2 5/8	-	11	7 13/16	49	3 @ 1,569#
53'	GLM1000-53	Steel	6'	3 1/8	-	3 1/16	7 7/8	19	11 @ 1,438#	
	GLMS1000-53	Steel	20'	3 1/8	11 1/16	3 1/16	7 7/8	19	4 @ 1,645#	
	ALM1000-53	Alum	20'	2 5/8	-	11	7 13/16	53	4 @ 1,569#	
63'	GLMSL1000-53	Steel	25'	3 1/8	13 15/16	3 1/16	7 7/8	19	3 @ 1,752#	
	GLM1000-63	Steel	6'	3 1/8	-	3 1/16	7 7/8	26	12 @ 1,438#	
	GLMS1000-63	Steel	20'	3 1/8	11 1/16	3 1/16	7 7/8	26	4 @ 1,645#	
64'	ALM1000-63	Alum	20'	2 5/8	-	11	7 13/16	53	4 @ 1,569#	
	GLMSLX1000-64	Steel	30'	3 1/8	17 1/16	3 1/16	7 7/8	54	3 @ 1,925#	
	78'	GLMSL1000-78	Steel	25'	3 1/8	13 15/16	3 1/16	7 7/8	54	4 @ 1,752#
83'	GLM1000-83	Steel	6'	3 1/8	-	3 1/16	7 7/8	54	16 @ 1,438#	
	GLMS1000-83	Steel	20'	3 1/8	11 1/16	3 1/16	7 7/8	54	5 @ 1,645#	
	ALM1000-83	Alum	20'	2 5/8	-	11	7 13/16	53	5 @ 1,569#	
94'	GLMSLX1000-94	Steel	30'	3 1/8	7 1/16	3 1/16	7 7/8	54	4 @ 1,925#	
103'	GLM1000-103	Steel	6'	3 1/8	-	3 1/16	7 7/8	54	20 @ 1,438#	
	GLMS1000-103	Steel	20'	3 1/8	11 1/16	3 1/16	7 7/8	54	6 @ 1,645#	
	ALM1000-103	Alum	20'	2 5/8	-	11	7 13/16	53	6 @ 1,569#	
124'	GLMSL1000-103	Steel	25'	3 1/8	13 15/16	3 1/16	7 7/8	54	5 @ 1,752#	
	GLMSLX1000-124	Steel	30'	3 1/8	7 1/16	3 1/16	7 7/8	54	5 @ 1,925#	

2000# CAPACITY	MONORAIL LENGTH	MONORAIL LENGTH	TRACK MATL.	MAX L1	T1 in	H1 in	H2 ft	L3 in	L7 in	HANGERS (See Note)*
	11'-6"	GLM2000-11.5	Steel	6'	2 7/8	-	3 1/2	8 1/16	9	3 @ 2,855#
		GLMS2000-11.5	Steel	20'	2 7/8	12	3 1/2	8 1/16	9	2 @ 3,138#
		ALM2000-11.5	Alum	20'	2 3/8	-	13 1/4	8	13	2 @ 3,004#
	23'	GLM2000-23	Steel	6'	2 7/8	-	3 1/2	8 1/16	9	5 @ 2,855#
		GLMS2000-23	Steel	20'	2 7/8	12	3 1/2	8 1/16	9	2 @ 3,138#
		ALM2000-23	Alum	20'	2 3/8	-	13 1/4	8	26	2 @ 3,004#
	28'	GLMSL2000-28	Steel	25'	2 7/8	15 3/8	3 1/2	8 1/16	13	2 @ 3,285#
	33'	GLM2000-33	Steel	6'	2 7/8	-	3 1/2	8 1/16	13	7 @ 2,855#
		GLMS2000-33	Steel	20'	2 7/8	12	3 1/2	8 1/16	13	3 @ 3,138#
		ALM2000-33	Alum	20'	2 3/8	-	13 1/4	8	39	3 @ 3,004#
	34'	GLMSLX2000-34	Steel	30'	2 7/8	18	3 1/2	8 1/16	13	2 @ 3,404#
	43'	GLM2000-43	Steel	6'	2 7/8	-	3 1/2	8 1/16	19	8 @ 2,855#
		GLMS2000-43	Steel	20'	2 7/8	12	3 1/2	8 1/16	19	3 @ 3,138#
		ALM2000-43	Alum	20'	2 3/8	-	13 1/4	8	49	3 @ 3,004#
53'	GLM2000-53	Steel	6'	2 7/8	-	3 1/2	8 1/16	19	11 @ 2,855#	
	GLMS2000-53	Steel	20'	2 7/8	12	3 1/2	8 1/16	19	4 @ 3,138#	
	ALM2000-53	Alum	20'	2 3/8	-	13 1/4	8	53	4 @ 3,004#	
63'	GLMSL2000-53	Steel	25'	2 7/8	15 3/8	3 1/2	8 1/16	19	3 @ 3,285#	
	GLM2000-63	Steel	6'	2 7/8	-	3 1/2	8 1/16	26	12 @ 2,855#	
	GLMS2000-63	Steel	20'	2 7/8	12	3 1/2	8 1/16	26	4 @ 3,138#	
64'	ALM2000-63	Alum	20'	2 3/8	-	13 1/4	8	53	4 @ 3,004#	
	GLMSLX2000-64	Steel	30'	2 7/8	18	3 1/2	8 1/16	54	3 @ 3,404#	
	78'	GLMSL2000-78	Steel	25'	2 7/8	15 3/8	3 1/2	8 1/16	54	4 @ 3,285#
83'	GLM2000-83	Steel	6'	2 7/8	-	3 1/2	8 1/16	54	16 @ 2,855#	
	GLMS2000-83	Steel	20'	2 7/8	12	3 1/2	8 1/16	54	5 @ 3,138#	
	ALM2000-83	Alum	20'	2 3/8	-	13 1/4	8	53	5 @ 3,004#	
94'	GLMSLX2000-94	Steel	30'	2 7/8	18	3 1/2	8 1/16	54	4 @ 3,404#	
103'	GLM2000-103	Steel	6'	2 7/8	-	3 1/2	8 1/16	54	20 @ 2,855#	
	GLMS2000-103	Steel	20'	2 7/8	12	3 1/2	8 1/16	54	6 @ 3,138#	
	ALM2000-103	Alum	20'	2 3/8	-	13 1/4	8	53	6 @ 3,004#	
124'	GLMSL2000-103	Steel	25'	2 7/8	15 3/8	3 1/2	8 1/16	54	5 @ 3,285#	
	GLMSLX2000-124	Steel	30'	2 7/8	18	3 1/2	8 1/16	54	5 @ 3,404#	

*This column provides the total number of support hangers with the corresponding vertical load applied by each support hanger (in pounds) based on the "L1" dimensions shown. Up to a 20" hanger drop will be provided by Gorbel. Additional hanger points or longer drops can be provided at an additional charge.

Gorbel® Monorail Kits include: monorail track, hoist trolley, end stops, flat wire festooning, festoon gliders (festoon trolleys on steel monorail lengths greater than 63' and all aluminum systems), festoon stack-up section, splice joints and hanger brackets. Sway bracing is required on all systems except flush mounted systems (by others). Sway bracing kits are available but not included in the crane kit. Hoist provided by others.

Dimensions are for reference only and are subject to change without notice.

4000# CAPACITY

CEILING MOUNTED WORK STATION MONORAILS

4000# CAPACITY	MONORAIL LENGTH	MONORAIL LENGTH	TRACK MATL.	MAX L1	T1 in	H1 in	H2 ft	L3 in	L7 in	HANGERS (See Note)*
	23'	GLM500-23	Steel	4'	3 3/8	-	3 1/2	15 1/16	9	7 @ 5,637#
		GLMS500-23	Steel	20'	3 3/8	18	3 1/2	15 1/16	9	2 @ 6,014#
	28'	GLMSL500-28	Steel	25'	3 3/8	20	3 1/2	15 1/16	13	2 @ 6,256#
		GLM500-33	Steel	4'	3 3/8	-	3 1/2	15 1/16	13	10 @ 5,637#
	33'	GLMS500-33	Steel	20'	3 3/8	18	3 1/2	15 1/16	13	3 @ 6,014#
		GLMSLX500-34	Steel	30'	3 3/8	22	3 1/2	15 1/16	13	2 @ 6,523#
	43'	GLM500-43	Steel	4'	3 3/8	-	3 1/2	15 1/16	19	12 @ 5,637#
		GLMS500-43	Steel	20'	3 3/8	18	3 1/2	15 1/16	19	3 @ 6,014#
	53'	GLM500-53	Steel	4'	3 3/8	-	3 1/2	15 1/16	19	15 @ 5,637#
		GLMS500-53	Steel	20'	3 3/8	18	3 1/2	15 1/16	19	4 @ 6,014#
		GLMSL500-53	Steel	25'	3 3/8	20	3 1/2	15 1/16	19	3 @ 6,523#
	63'	GLM500-63	Steel	4'	3 3/8	-	3 1/2	15 1/16	26	17 @ 5,637#
		GLMS500-63	Steel	20'	3 3/8	18	3 1/2	15 1/16	26	4 @ 6,014#
	64'	GLMSLX500-64	Steel	30'	3 3/8	22	3 1/2	15 1/16	54	3 @ 6,523#
	78'	GLMSL500-78	Steel	25'	3 3/8	20	3 1/2	15 1/16	54	4 @ 6,256#
83'	GLM500-83	Steel	4'	3 3/8	-	3 1/2	15 1/16	54	22 @ 5,637#	
	GLMS500-83	Steel	20'	3 3/8	18	3 1/2	15 1/16	54	5 @ 6,014#	
94'	GLMSLX500-94	Steel	30'	3 3/8	22	3 1/2	15 1/16	54	4 @ 6,523#	
103'	GLM500-103	Steel	4'	3 3/8	-	3 1/2	15 1/16	54	27 @ 5,637#	
	GLMS500-103	Steel	20'	3 3/8	18	3 1/2	15 1/16	54	6 @ 6,014#	
	GLMSL500-103	Steel	25'	3 3/8	20	3 1/2	15 1/16	54	5 @ 6,256#	
124'	GLMSLX500-124	Steel	30'	3 3/8	22	3 1/2	15 1/16	54	5 @ 6,523#	

*This column provides the total number of support hangers with the corresponding vertical load applied by each support hanger (in pounds) based on the "L1" dimensions shown. Up to a 20" hanger drop will be provided by Gorbel. Additional hanger points or longer drops can be provided at an additional charge.

Gorbel® Monorail Kits include: monorail track, hoist trolley, end stops, flat wire festooning, festoon gliders (festoon trolleys on steel monorail lengths greater than 63' and all aluminum systems), festoon stack-up section, splice joints and hanger brackets. Sway bracing is required on all systems except flush mounted systems (by others). Sway bracing kits are available but not included in the crane kit. Hoist provided by others.

Dimensions are for reference only and are subject to change without notice.